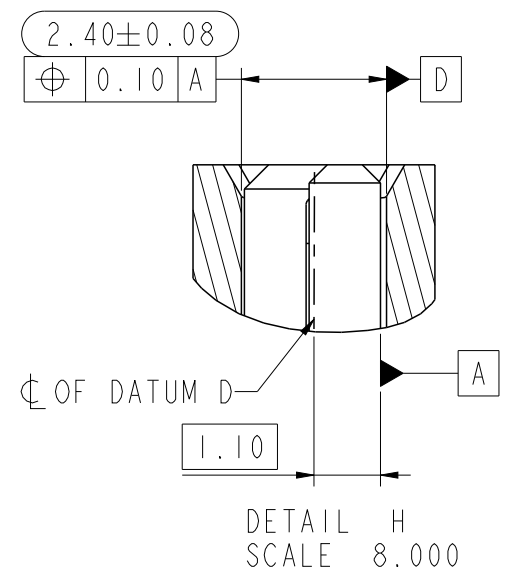
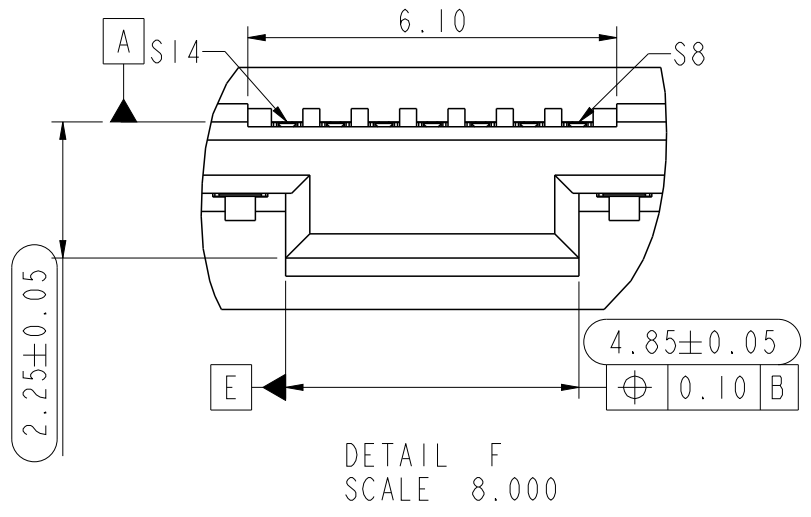
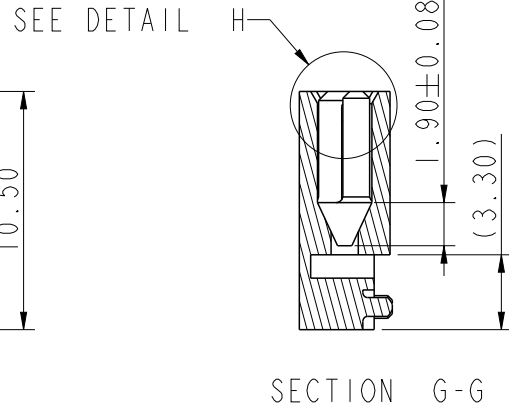
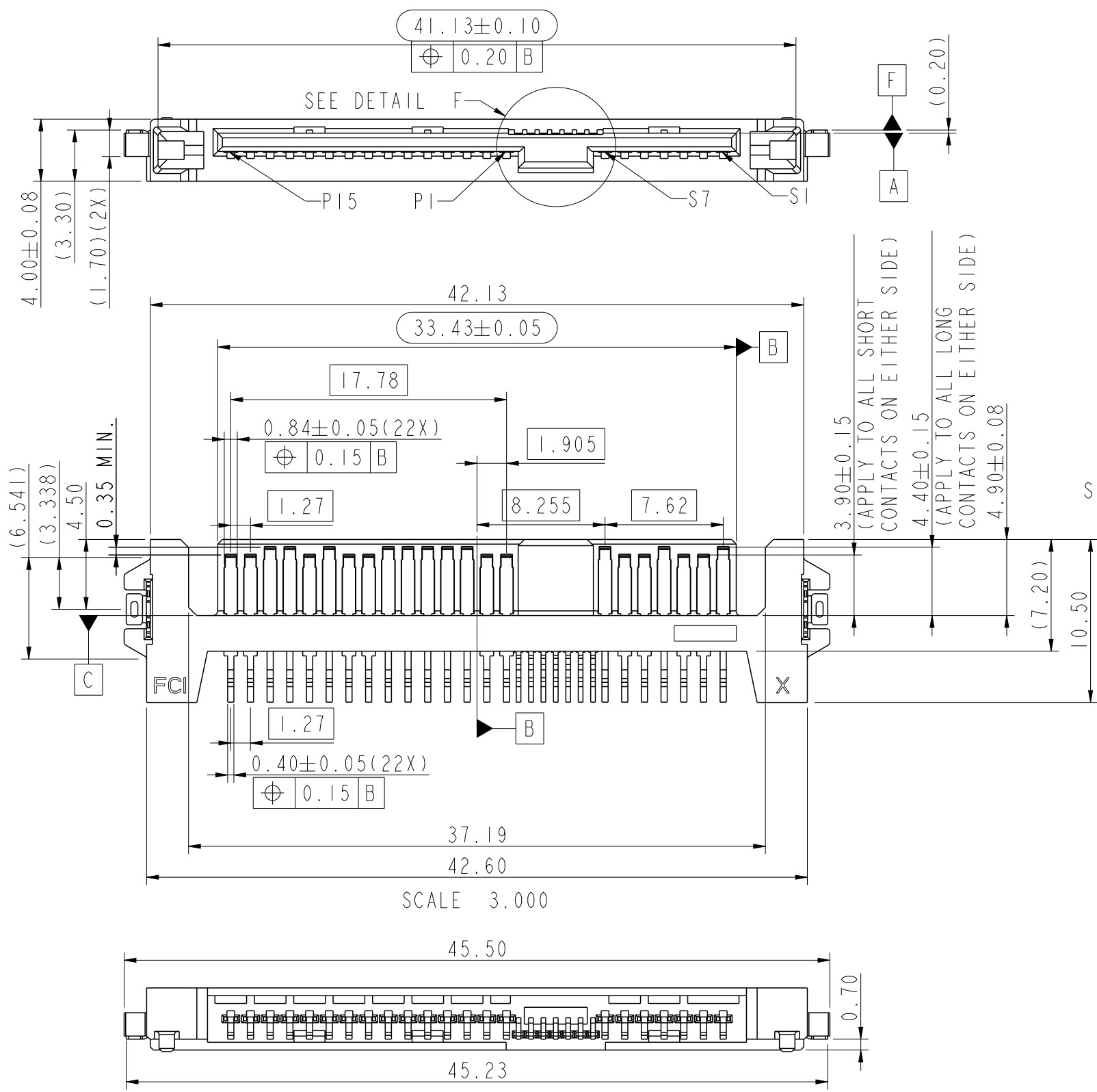


PRODUCT NO.
 10099439-002LF
 10099439-003C-TRLF
 10099439-004C-TRLF



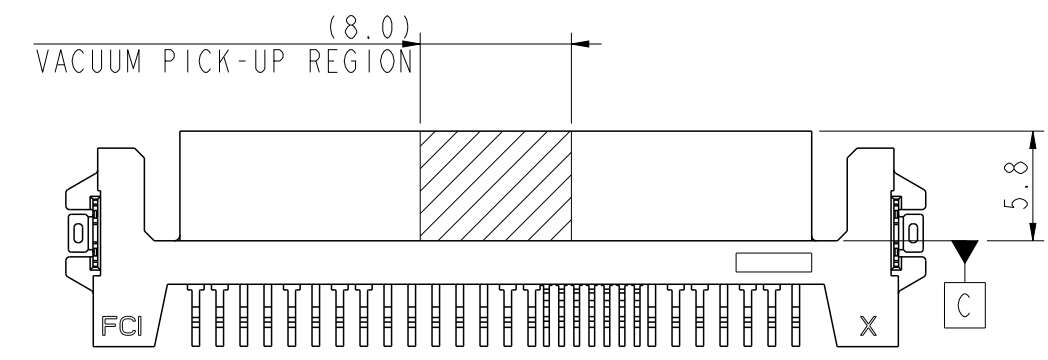
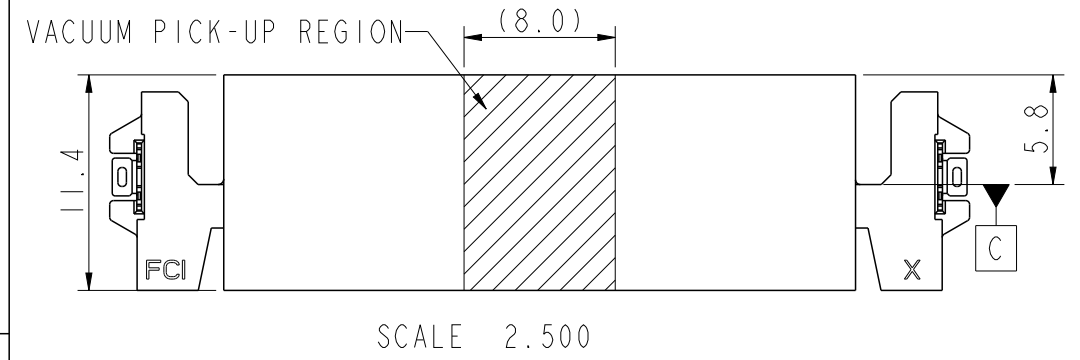
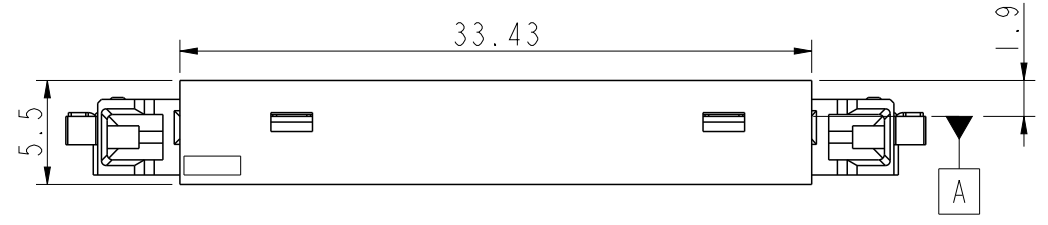
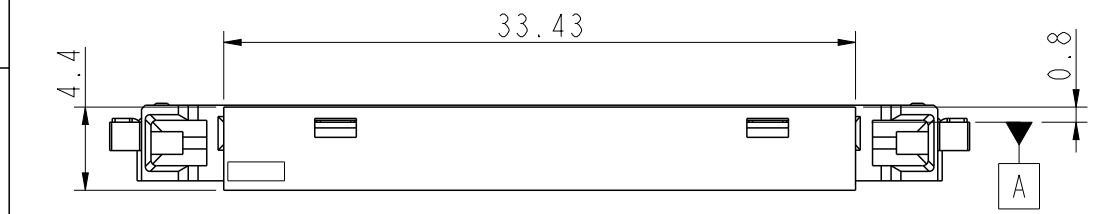
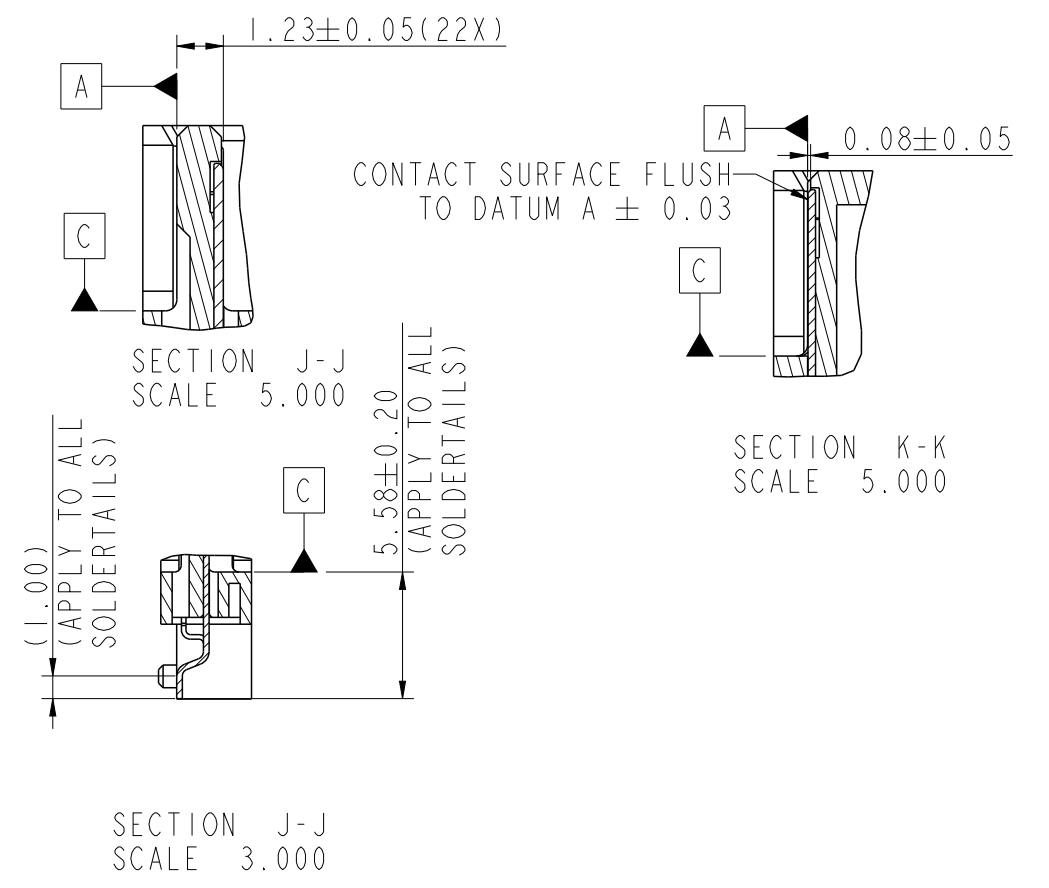
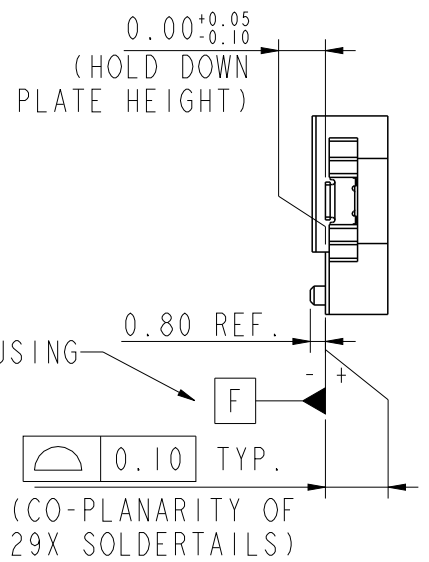
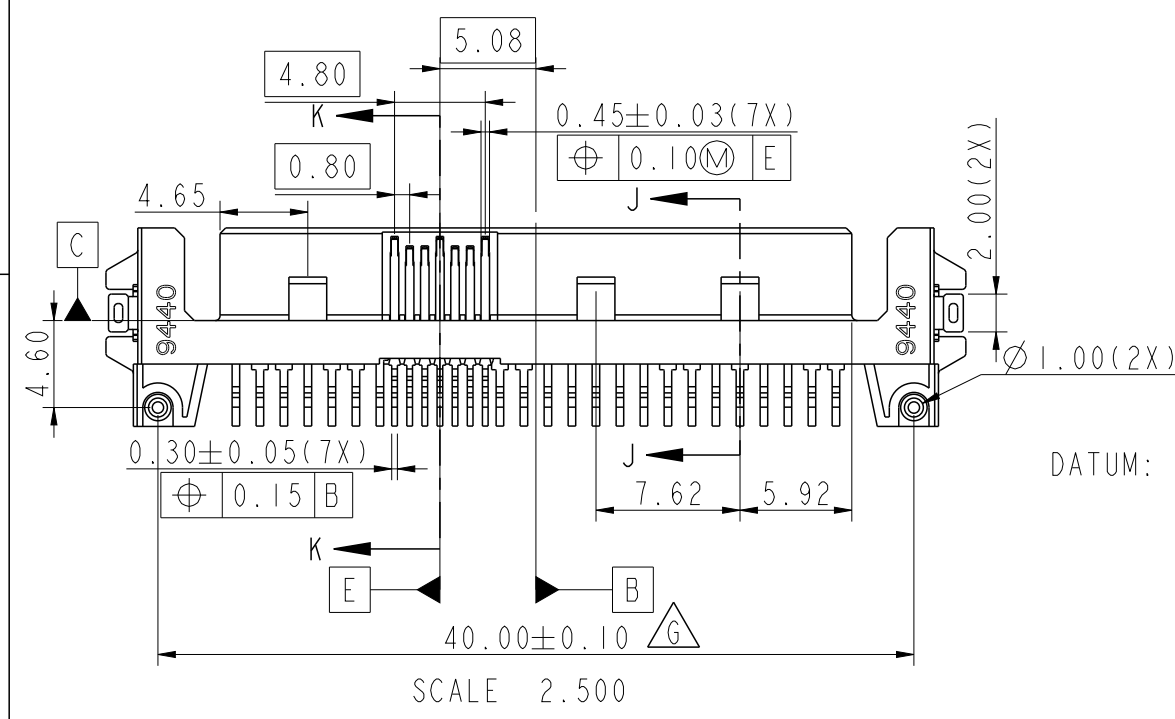
Amphenol FCI

© 2016 AFCI

spec ref	dr	Louis Ng	2010/05/01	projection	MM	size	A3	scale	2.000
tolerance std	eng	Jeffrey Lim	2016/09/22			ecn no	ELX-S-24900-1	rel level	Released
ASME Y14.5	chr	-	-						
surface		linear	0.X	±0.25	Amphenol FCI	title SAS PLUG R/A TYPE ASSY, Z-HT. 0.20	dwg no 10099439	rev G	
			0.XX	±0.15					
			0.XXX	±0.050					
	angular	0°	±2°	cat. no.	Product - Customer Drw	sheet 1 of 3			

PRODUCT NO.	WITH PICK-UP CAP	WITH ADHESIVE TAPE	PACKAGING
10099439-002LF	NO	NO	TRAY
10099439-002CLF	YES		TAPE & REEL
10099439-003C-TRLF			
10099439-004C-TRLF			

△ G



10099439-002 WITH PICK-UP CAP ATTACHED

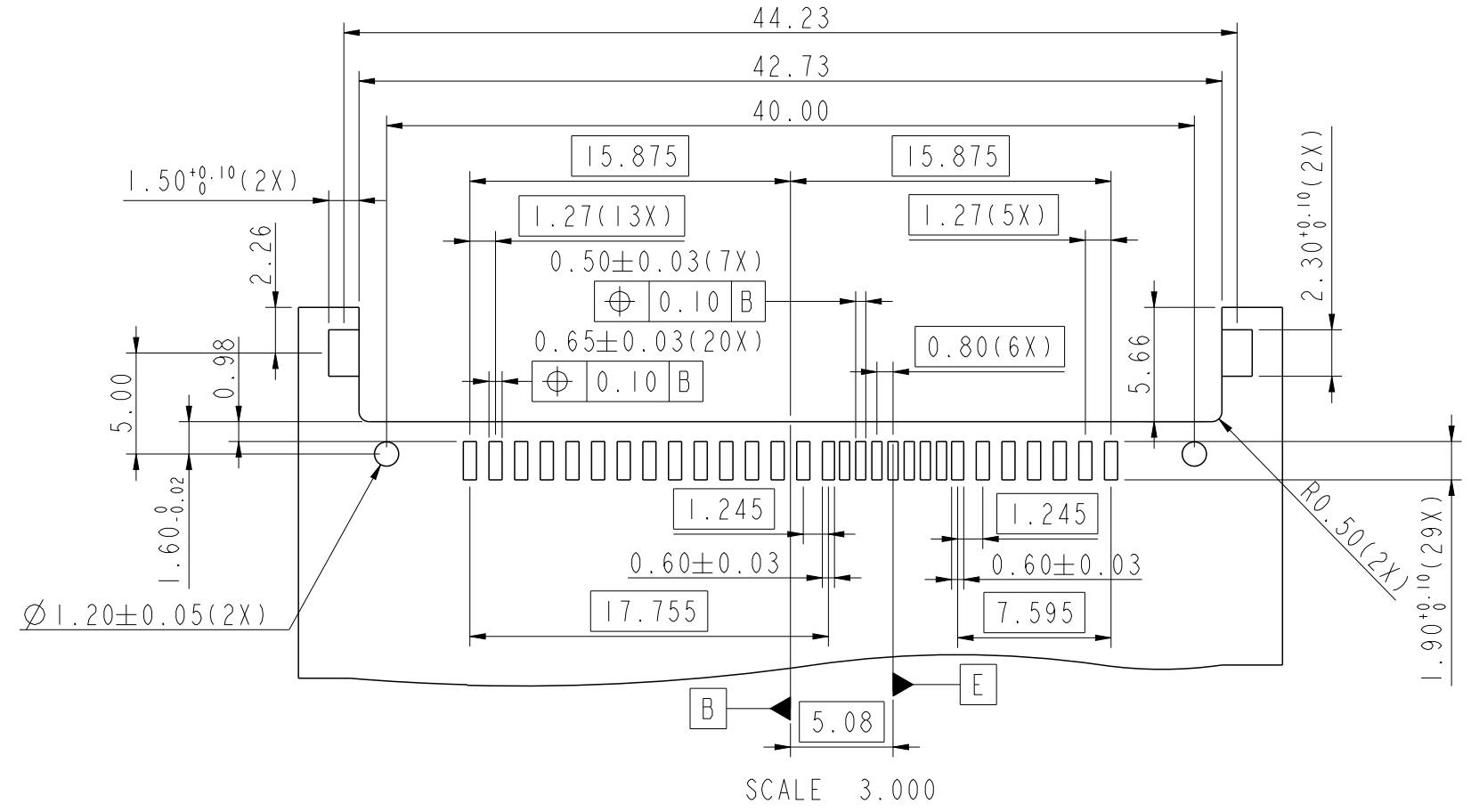
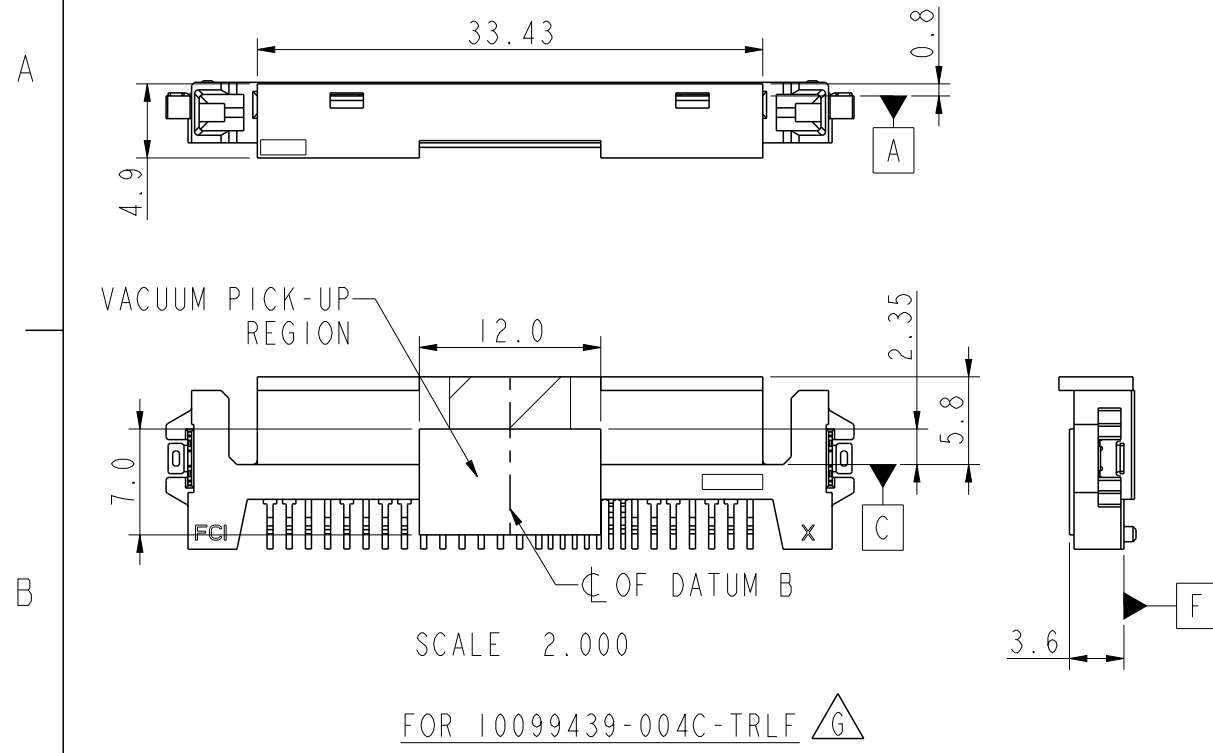
10099439-003 WITH PICK-UP CAP ATTACHED

spec ref	dr	Louis Ng	2010/05/01	projection	MM	size	A3	scale	2.000
tolerance std	eng	Jeffrey Lim	2016/09/22			ecn no	ELX-S-24900-1	rel level	Released
ASME Y14.5	chr	-	-						
surface	linear	0.X	±0.25		SAS PLUG R/A TYPE ASSY, Z-HT. 0.20	dwg no	10099439	rev	G
		0.XX	±0.15						
	angular	0°	±2°	cat. no.	Product - Customer Drw	sheet 2 of 3			

Amphenol FCI

© 2016 AFCI

PRODUCT NO.
SEE TABLE



RECOMMENDED SMT PAD DIMENSIONS

NOTES:

- MATERIAL:
HOUSING & CAP: HIGH TEMPERATURE THERMOPLASTIC, BLACK, UL94V-0
ADHESIVE TAPE: POLYIMIDE
CONTACT & HOLD DOWN: COPPER ALLOY
- FINISH:
CONTACT: 1.27um MIN. Ni UNDERPLATE OVERALL,
1.91um MIN. 100% MATTE Sn(LEAD-FREE) ON SOLDER TAIL,
0.76um MIN. Au ON CONTACT AREA
HOLD DOWN: 1.91um MIN. 100% MATTE Sn(LEAD-FREE) OVER
1.27um MIN. Ni UNDERPLATE OVERALL
- RECOMMENDED PCB THICKNESS: 1.00mm
- PRODUCT SPECIFICATION: GS-12-282
- PACKAGING SPECIFICATION: GS-14-952(TRAY); GS-14-1038(TAPE & REEL)
- THIS PRODUCT MEETS EUROPEAN UNION DIRECTIVES AND OTHER COUNTRY REGULATIONS AS DESCRIBED IN GS-47-0004
- THE HOUSING WILL WITHSTAND EXPOSURE TO 260°C PEAK TEMPERATURE FOR 10 SECONDS IN A CONVECTION, INFRA-RED OR VAPOR PHASE REFLOW OVEN
- A SYMBOL \triangle WILL BE NEXT TO ANY DIMENSION, VIEW OR NOTE WHICH HAS BEEN MODIFIED WITH THE CURRENT DRAWING REVISION

Amphenol FCI

© 2016 AFCI

spec ref	dr	Louis Ng	2010/05/01	projection	MM	size	A3	scale	1.000
tolerance std	eng	Jeffrey Lim	2016/09/22			ecn no	ELX-S-24900-1		
ASME Y14.5	chr	-	rel level			Released			
surface	appr	Koon-Poh Tay	2016/10/06	product family	SAS PLUG R/A		dwg no	10099439	
linear	Amphenol FCI		TYPE ASSY, Z-HT. 0.20		rev	G			
angular	cat. no.		Product - Customer Drw		sheet 3 of 3				