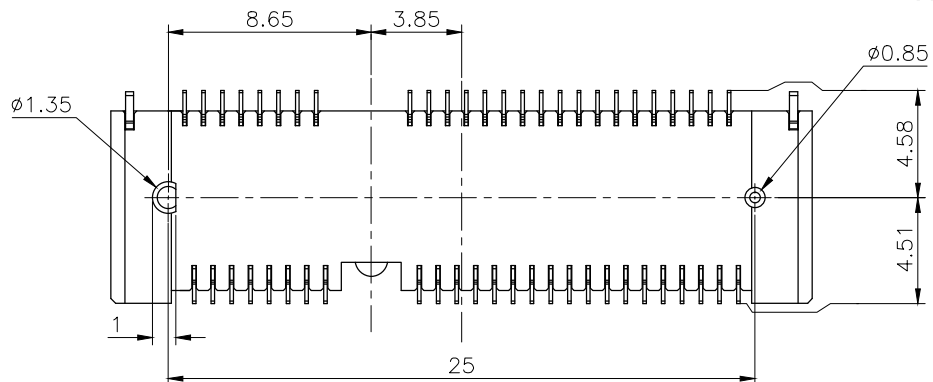
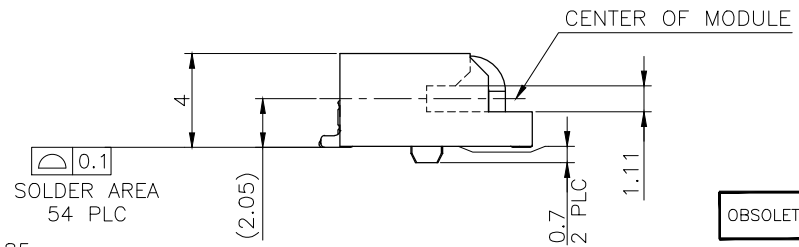
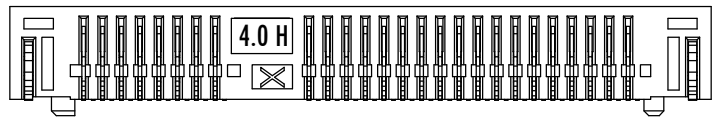
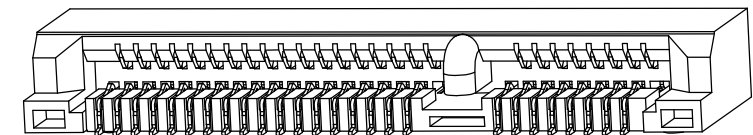
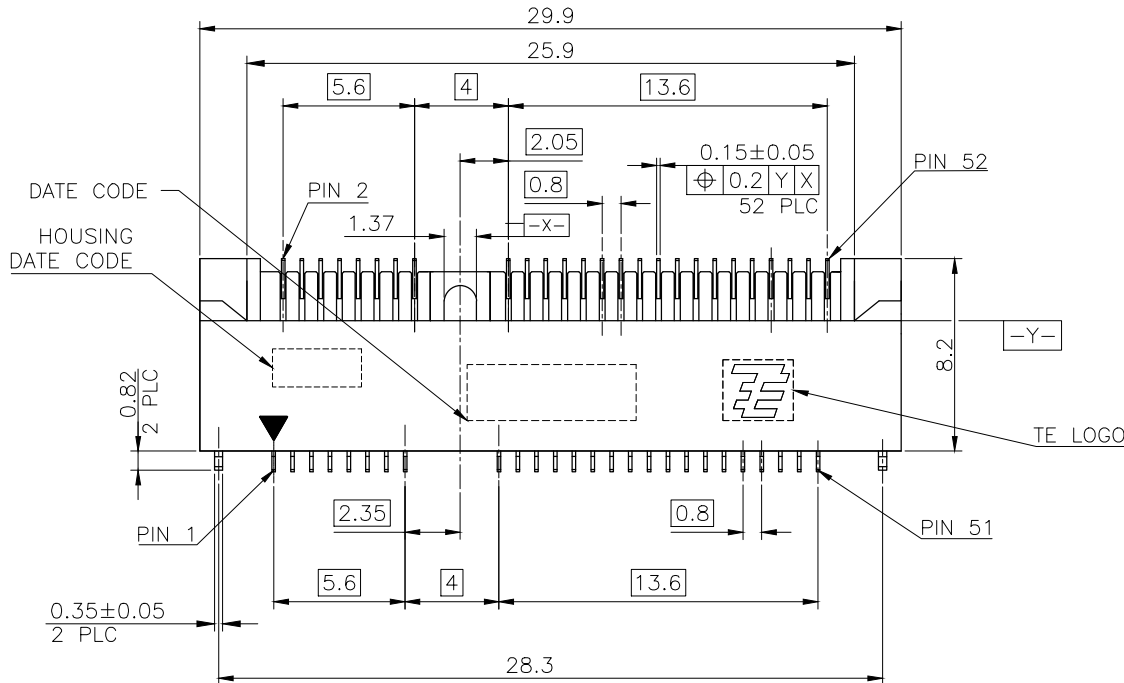


LOC		DIST		REVISIONS			
P	LTR	DATE	DWN	APVD			
F1	REVISED (ECR14-004907)	04AUG14	SW	HL			

NOTES:

- MATERIAL:
HOUSING: LCP WITH 30% GF, UL 94V-0, BLACK COLOR.
CONTACTS: PHOSPHOR BRONZE.
PEGS: BRASS.
- FINISH:
CONTACTS: (SEE TABLE) GOLD PLATED ON CONTACT AREA, WITH GOLD FLASH OVER 1.27µm [50µ"] MIN. NICKEL ON ENTIRE CONTACT.

PEGS: 3.048µm [120µ"] MIN. MATTE-TIN OVER 1.27µm [50µ"] MIN. NICKEL.
- REFLOW SOLDER CAPABLE TO 260° PER TEC-109-201, CONDITION B.
- SUBSTANCE RESTRICTIONS FOR LOW HALOGEN (BY WEIGHT):
 - BROMINE (Br) ≤ 900 PPM (0.09%)
 - CHLORINE (Cl) ≤ 900 PPM (0.09%)
 - TOTAL CONCENTRATION OF CHLORINE (Cl) + BROMINE (Br) ≤ 1500 PPM (0.15%)



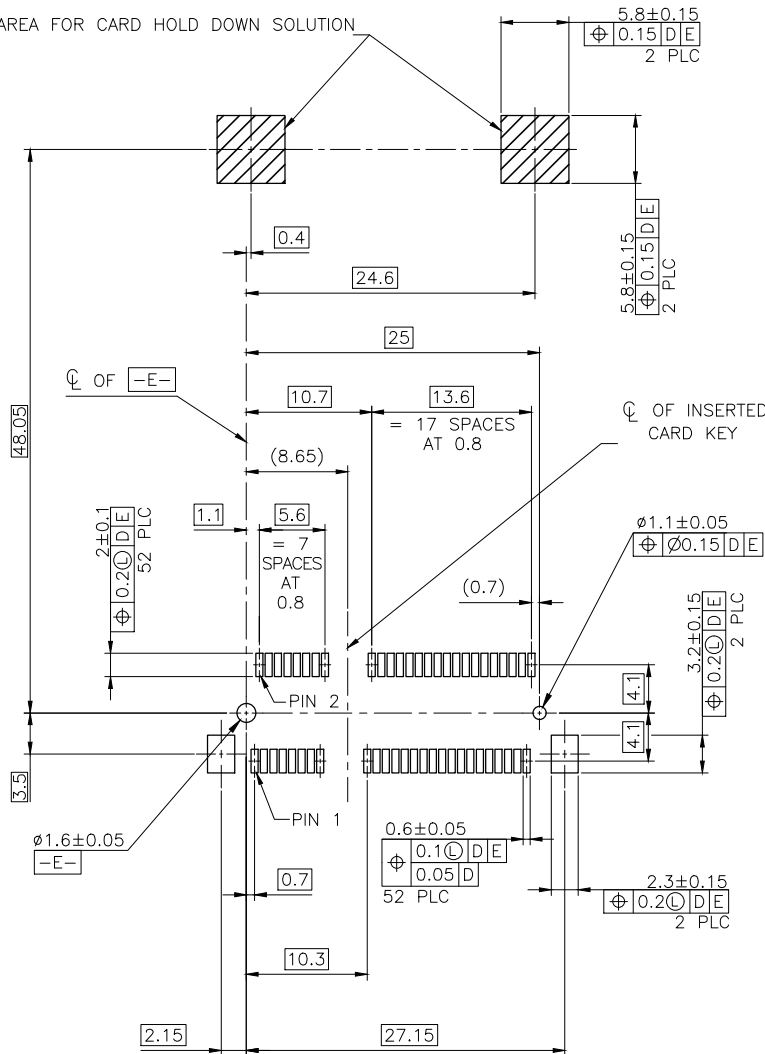
OBSELETE	TYPE II	0.254µm -[10µ"]	1-1775861-3
		GOLD FLASH	1-1775861-2
	TYPE I	0.0762µm [5µ"]	1775861-4
		GOLD FLASH	1775861-2
OBSELETE		0.254µm -[10µ"]	1775861-1
	PACKING TYPE	MIN. GOLD THICKNESS	PART NUMBER

THIS DRAWING IS A CONTROLLED DOCUMENT.

DWN A. WU 25SEP2009	25SEP2009		TE Connectivity
CHK S. CHIEN 25SEP2009	25SEP2009		
APVD W. KODAMA 25SEP2009	25SEP2009	NAME	
DIMENSIONS: MM TOLERANCES UNLESS OTHERWISE SPECIFIED: 0 PLC ± - 1 PLC ±0.3 2 PLC ±0.2 3 PLC ± - 4 PLC ± - ANGLES ± °		PRODUCT SPEC 108-99102 APPLICATION SPEC	
MATERIAL SEE NOTE		SIZE CAGE CODE DRAWING NO A2 00779 C=1775861	
FINISH SEE NOTE		WEIGHT 1.172 GRAMS	
CUSTOMER DRAWING		RESTRICTED TO SCALE SHEET 1 of 4 REV F1	

LOC	DIST	REVISIONS			
P	LTR	DESCRIPTION	DATE	DWN	APVD
DW	-	SEE SHEET 1.			

COMPONENT KEEP OUT AREA FOR CARD HOLD DOWN SOLUTION



-D- IS THE TOP SURFACE OF PCB.

RECOMMENDED P.C. BOARD PATTERN LAYOUT (TOP VIEW)

CONNECTOR PIN-OUT DEFINITIONS

PIN#	NAME	PIN#	NAME
51	RESERVED	52	+3.3Vaux
49	RESERVED	50	GND
47	RESERVED	48	+1.5V
45	RESERVED	46	LED_WPAN#
43	GND	44	LED_WLAN#
41	+3.3Vaux	42	LED_WWAN#
39	+3.3Vaux	40	GND
37	GND	38	USB_D+
35	GND	36	USB_D-
33	PETp0	34	GND
31	PETn0	32	SMB_DATA
29	GND	30	SMB_CLK
27	GND	28	+1.5V
25	PERp0	26	GND
23	PERn0	24	+3.3Vaux
21	GND	22	PERST#
19	RESERVED* (UIM_C4)	20	W_DISABLE#
17	RESERVED* (UIM_C8)	18	GND
MECHANICAL KEY			
15	GND	16	UIM_VPP
13	REFCLK+	14	UIM_RESET
11	REFCLK-	12	UIM_CLK
9	GND	10	UIM_DATA
7	CLKREQ#	8	UIM_PWR
5	COEX2	6	1.5V
3	COEX1	4	GND
1	WAKE#	2	3.3Vaux

* RESERVED FOR FUTURE UIM INTERFACE (IF NEEDED)

THIS DRAWING IS A CONTROLLED DOCUMENT.		DWN A. WU	25SEP2009	TE Connectivity
DIMENSIONS: MM		CHK S. CHIEN	25SEP2009	
TOLERANCES UNLESS OTHERWISE SPECIFIED:		APVD W. KODAMA	25SEP2009	NAME
0 PLC ±	±	PRODUCT SPEC		2 IN 1 mSATA & PCI EXPRESS MINI CARD CONNECTOR, 4 MM HEIGHT
1 PLC ±0.3	±0.3	APPLICATION SPEC		
2 PLC ±0.2	±0.2	SIZE	CAGE CODE	DRAWING NO
3 PLC ±	±	A2	00779	C=1775861
4 PLC ±	±	WEIGHT		RESTRICTED TO
ANGLES ±°	±°	CUSTOMER DRAWING		SCALE
MATERIAL	FINISH	SHEET		REV
		2 of 4		F1

LOC	DIST	REVISIONS	DATE	DWN	APVD
DW	-				
P LTR		DESCRIPTION			
SEE SHEET 1.					

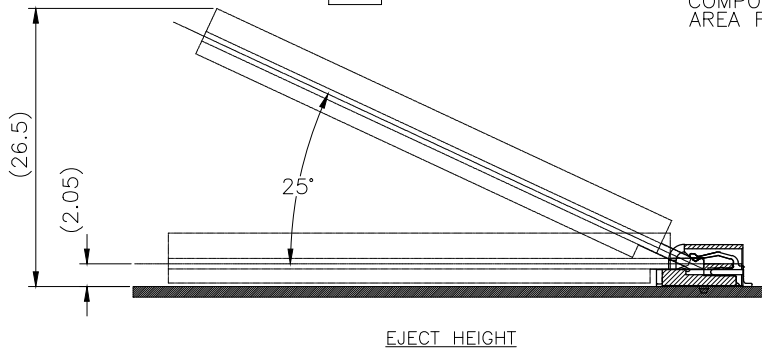
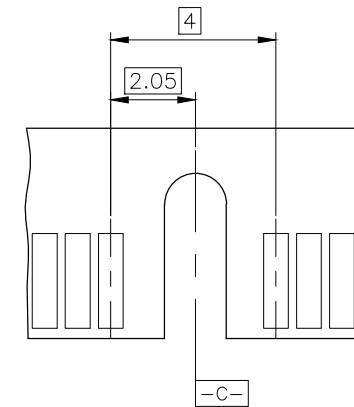
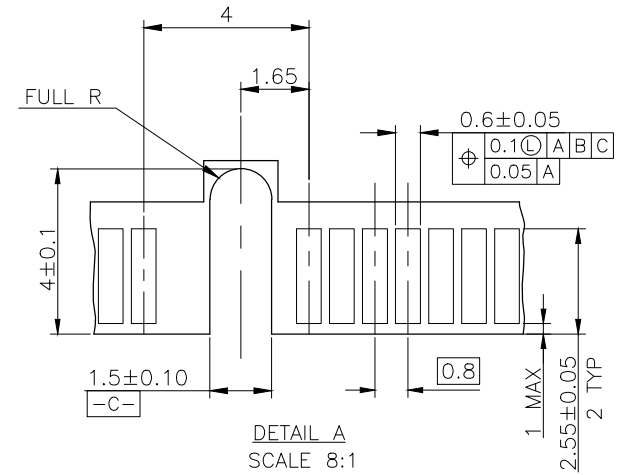
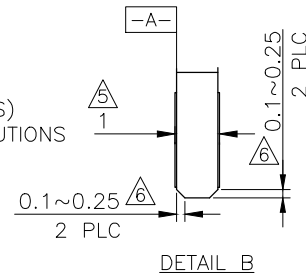
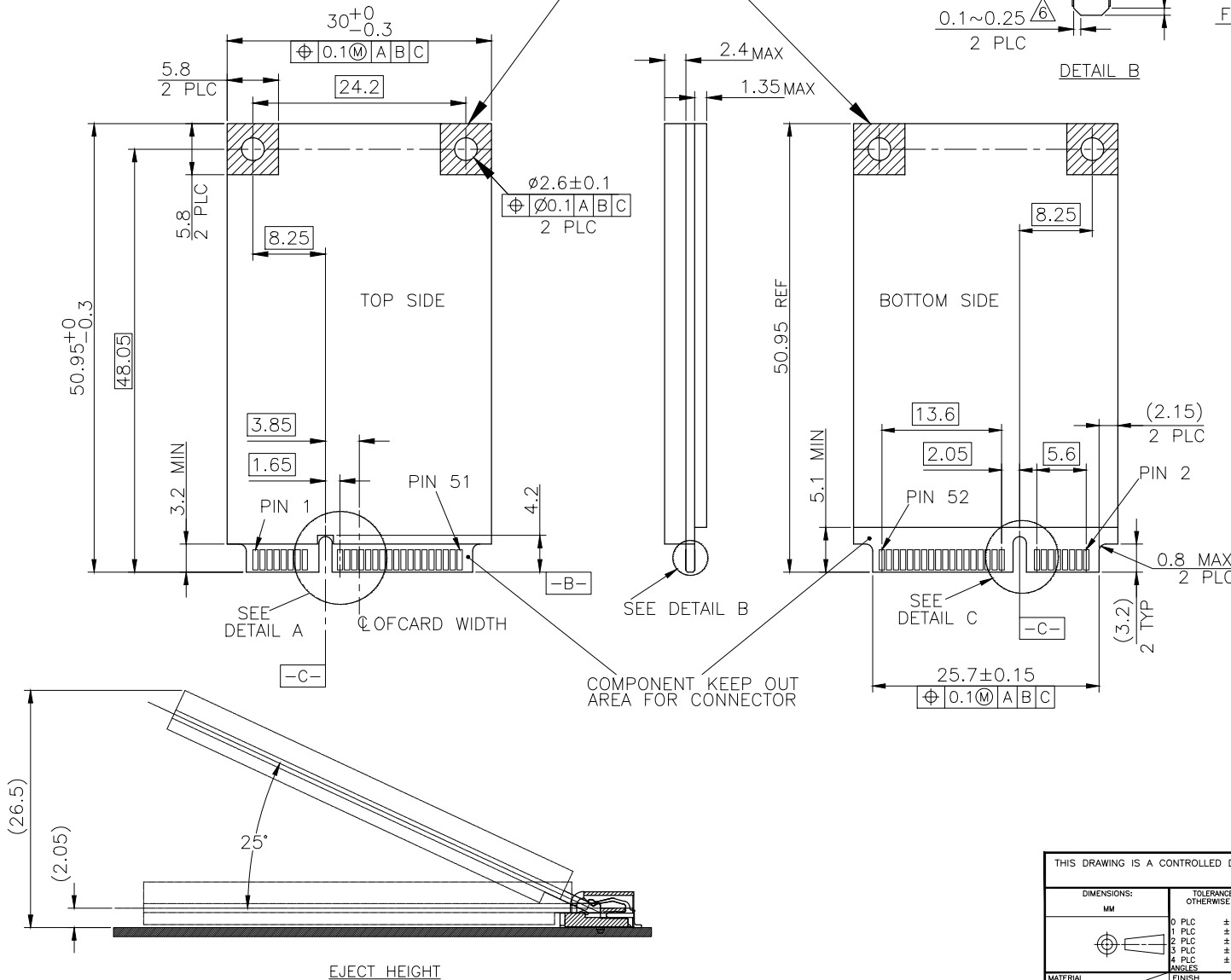
4. PCI EXPRESS MINI CARD, PCB THICKNESS 1 MM.

△. CARD THICKNESS APPLIES ACROSS TABS AND INCLUDES PLATING AND/OR METALIZATION.

△. BEVEL MUST BE FREE OF CUTTING BURRS.

COMPONENT AND ROUTING (ALL LAYERS) KEEP OUT AREA FOR HOLD DOWN SOLUTIONS

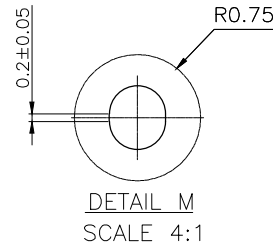
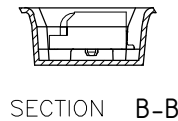
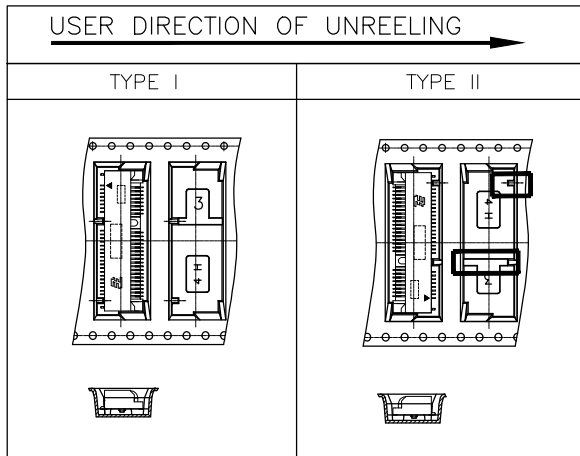
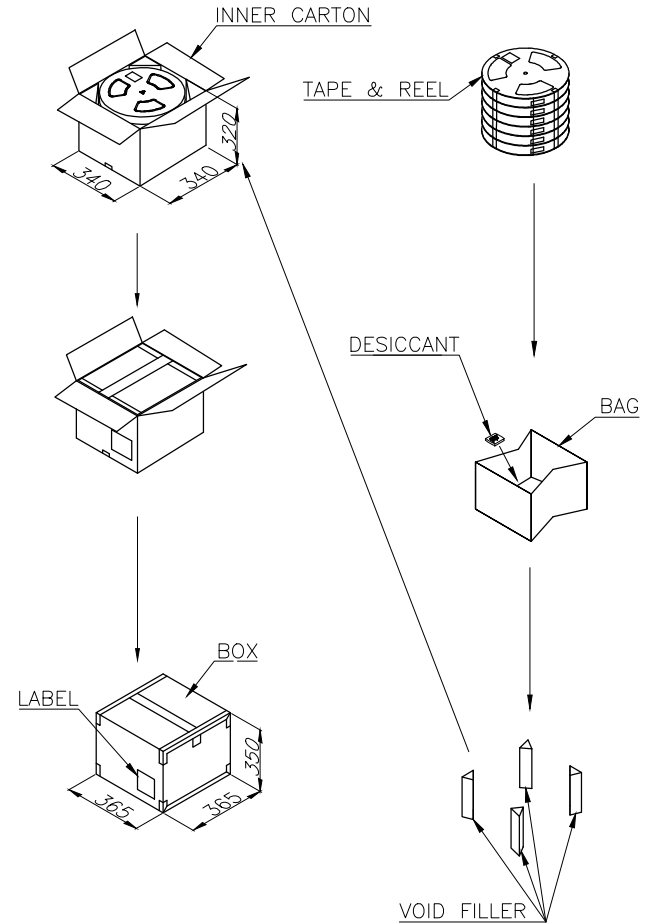
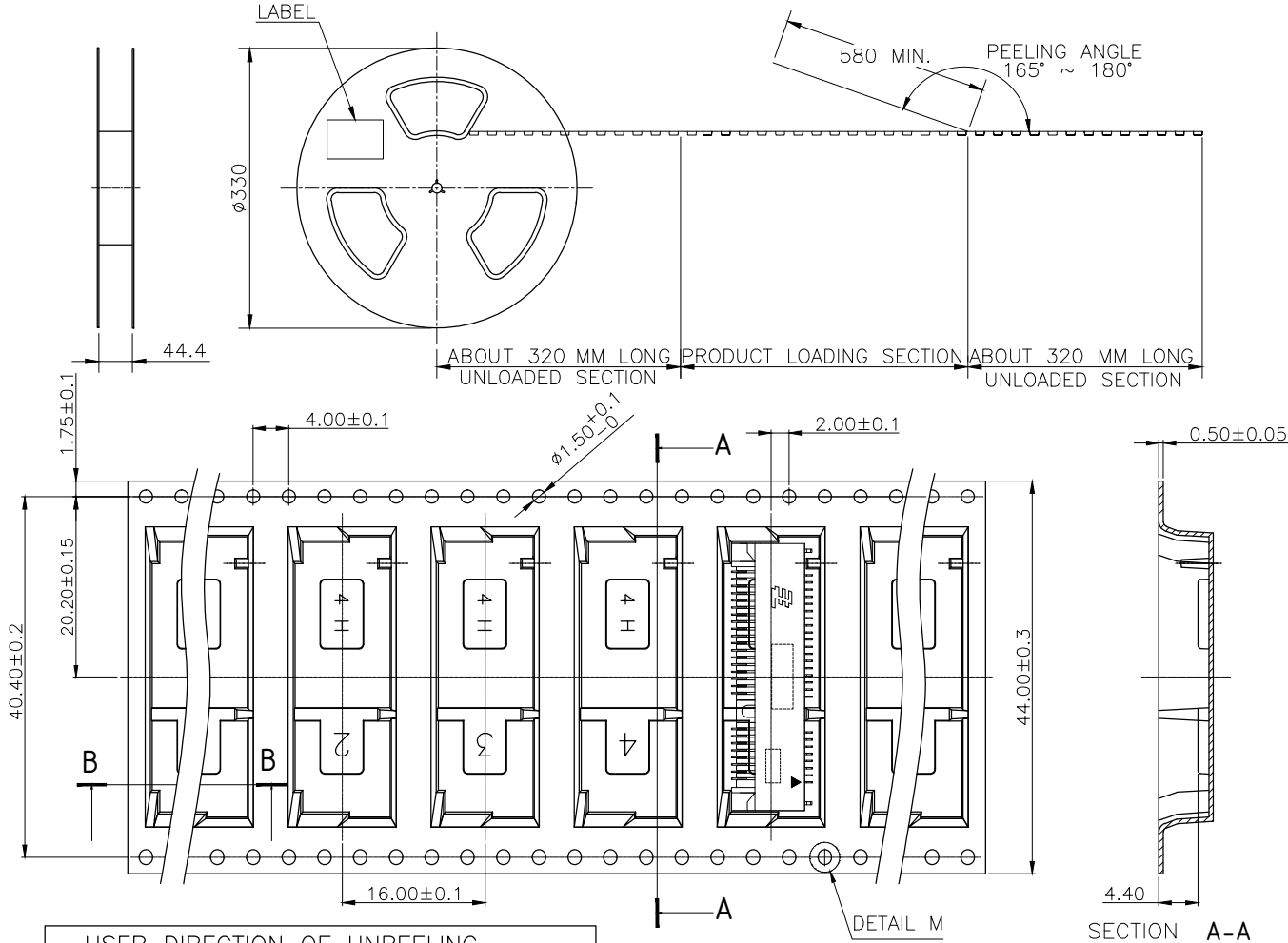
COMPONENT KEEP OUT AREA FOR CONNECTOR



THIS DRAWING IS A CONTROLLED DOCUMENT.		DWN A. WU	25SEP2009		TE Connectivity
DIMENSIONS: MM		CHK S. CHIEN	25SEP2009		
TOLERANCES UNLESS OTHERWISE SPECIFIED:		APVD W. KODAMA	25SEP2009	NAME	
0 PLC ±		PRODUCT SPEC		2 IN 1 mSATA & PCI EXPRESS MINI CARD CONNECTOR, 4 MM HEIGHT	
1 PLC ±0.3		APPLICATION SPEC		SIZE	CAGE CODE
2 PLC ±0.2		WEIGHT		A2	00779
3 PLC ±		CUSTOMER DRAWING		C=	1775861
4 PLC ±		SCALE		3 of 4	
ANGLES ±°		SHEET		REV F1	

THIS DRAWING IS UNPUBLISHED.
 RELEASED FOR PUBLICATION
 © COPYRIGHT 2011 BY TE CONNECTIVITY. ALL RIGHTS RESERVED.

LOC	DIST	REVISIONS				
P	LTR	DESCRIPTION	DATE	DWN	APVD	
DW	-	SEE SHEET 1				



THIS DRAWING IS A CONTROLLED DOCUMENT.		DWN	---
DIMENSIONS: MM		CHK	---
TOLERANCES UNLESS OTHERWISE SPECIFIED:		APVD	---
0 PLC	±	NAME	
1 PLC	±	TE Connectivity	
2 PLC	±	2 IN 1 mSATA & PCI EXPRESS	
3 PLC	±	MINI CARD CONNECTOR, 4.0 MM HEIGHT	
4 PLC	±	SIZE	CAGE CODE
ANGLES	±	A2	00779
MATERIAL	FINISH	DRAWING NO	RESTRICTED TO
		G=1775861	---
CUSTOMER DRAWING		SCALE	SHEET
		---	4 of 4
		REV	F1

3900 PCS	650	6	9.5	4.618
QUANTITY	PCS/TAPE	REELS/BOX	G/W(Kg)	N/W(Kg)