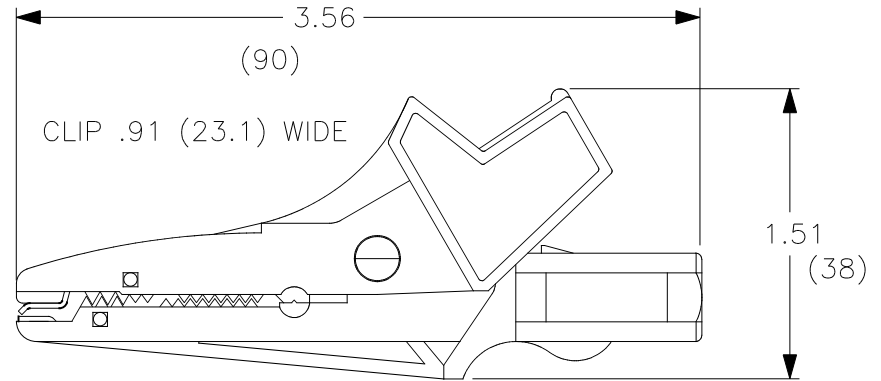


THIS IS ISSUED IN STRICT CONFIDENCE THAT IT IS NOT USED AS A BASIS FOR MANUFACTURE OR SALE AND THAT IT IS NOT COPIED, REPRINTED OR DISCLOSED TO A THIRD PARTY EITHER WHOLLY OR IN PART WITHOUT THE PRIOR WRITTEN CONSENT OF CAL TEST ELECTRONICS, INC.

1. LARGE INSULATED ALLIGATOR CLIP w/4 mm SAFETY BANANA JACK.
2. SPECIFICATIONS:
INSULATOR: POLYAMIDE (NYLON)
CONTACT: BRASS, NICKEL PLATED
3. RATING:
VOLTAGE: 1000 V CATIII/600 V CATIV (IEC61010-031)
CURRENT: 20 A MAX.
TEMPERATURE: -20° C TO +80° C.

REVISIONS			
REV.	DESCRIPTIONS	DATE	APPROVED
-	CLASS A RELEASED	1/12/02	
A	ADDED CAGE CODE	6/18/02	



PART NUMBER

CT2392A-#

- COLOR:
- 0 - BLACK
 - 2 - RED
 - 4 - YELLOW
 - 5 - GREEN
 - 6 - BLUE
 - 9 - WHITE



THIRD ANGLE PROJECTION		UNLESS OTHERWISE SPECIFIED DIMENSIONS ARE IN INCHES TOLERANCES ARE: FRACTIONS DECIMALS ± 1/32 .XX ± .02 .XXX ± .005 DO NOT SCALE DRAWING	CONTRACT NO.		Cal Test Electronics 22820 Savi Ranch Parkway Yorba Linda, CA 92887-4610			
			APPROVALS	DATE	TITLE			
		MATERIAL	DRAWN	43F45	LARGE INSULATED ALLIGATOR CLIP			
		FINISH	CHECKED		SIZE	CAGE CODE	DWG. NO.	REV.
NEXT ASSY	USED ON		ENGR.		A	43F45	P2392A0	A
APPLICATION			DESIGN ACTIVITY		SCALE	1:1	SHEET	1 OF 1