

THIS IS ISSUED IN STRICT CONFIDENCE THAT IT IS NOT USED AS A BASIS FOR MANUFACTURE OR SALE AND THAT IT IS NOT COPIED, REPRINTED OR DISCLOSED TO A THIRD PARTY EITHER WHOLLY OR IN PART WITHOUT THE PRIOR WRITTEN CONSENT OF CAL TEST ELECTRONICS, INC.

1. LARGE INSULATED ALLIGATOR CLIP w/4 mm SAFETY BANANA JACK.
2. SPECIFICATIONS:  
INSULATOR: POLYAMIDE (NYLON)  
CONTACT: BRASS, NICKEL PLATED
3. RATING:  
VOLTAGE: 1000 V CATIII/600 V CATIV (IEC61010-031)  
CURRENT: 20 A MAX.  
TEMPERATURE: -20° C TO +80° C.

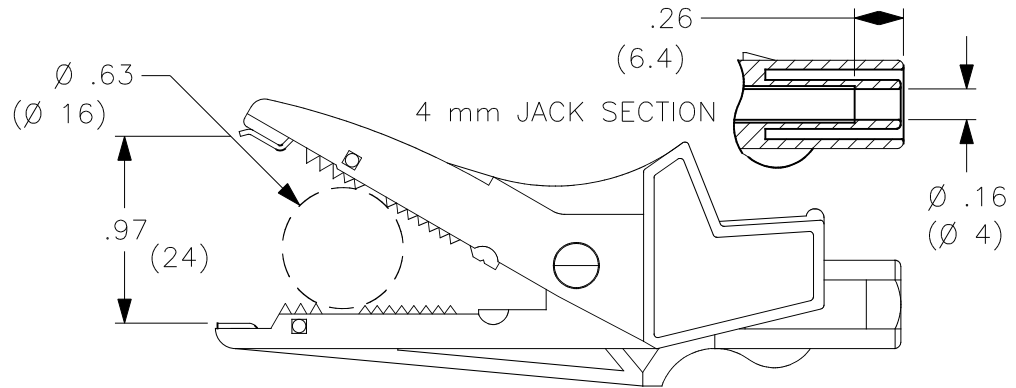
REVISIONS			
REV.	DESCRIPTIONS	DATE	APPROVED
-	CLASS A RELEASED	1/12/02	
A	ADDED CAGE CODE	6/18/02	



**PART NUMBER**

**CT2392A-#**

- COLOR:
- 0 - BLACK
  - 2 - RED
  - 4 - YELLOW
  - 5 - GREEN
  - 6 - BLUE
  - 9 - WHITE



THIRD ANGLE PROJECTION		UNLESS OTHERWISE SPECIFIED DIMENSIONS ARE IN INCHES TOLERANCES ARE: FRACTIONS    DECIMALS ± 1/32        .XX ± .02 .XXX ± .005 DO NOT SCALE DRAWING	CONTRACT NO.		<b>Cal Test Electronics</b> 22820 Savi Ranch Parkway Yorba Linda, CA 92887-4610			
			APPROVALS	DATE	TITLE			
		MATERIAL	DRAWN	WDH	LARGE INSULATED ALLIGATOR CLIP			
		FINISH	CHECKED		SIZE	CAGE CODE	DWG. NO.	REV.
NEXT ASSY	USED ON		ENGR.		A	43F45	P2392A0	A
APPLICATION			DESIGN ACTIVITY		SCALE	1:1	SHEET	1 OF 1