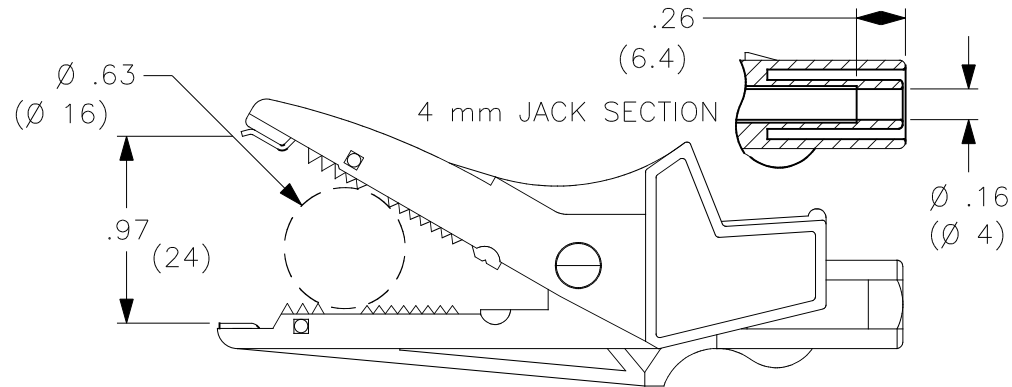


THIS IS ISSUED IN STRICT CONFIDENCE THAT IT IS NOT USED AS A BASIS FOR MANUFACTURE OR SALE AND THAT IT IS NOT COPIED, REPRINTED OR DISCLOSED TO A THIRD PARTY EITHER WHOLLY OR IN PART WITHOUT THE PRIOR WRITTEN CONSENT OF CAL TEST ELECTRONICS, INC.

1. LARGE INSULATED ALLIGATOR CLIP w/4 mm SAFETY BANANA JACK.
2. SPECIFICATIONS:
INSULATOR: POLYAMIDE (NYLON)
CONTACT: BRASS, NICKEL PLATED
3. RATING:
VOLTAGE: 1000 V CATIII/600 V CATIV (IEC61010-031)
CURRENT: 20 A MAX.
TEMPERATURE: -20° C TO +80° C.

REVISIONS			
REV.	DESCRIPTIONS	DATE	APPROVED
-	CLASS A RELEASED	1/12/02	
A	ADDED CAGE CODE	6/18/02	



PART NUMBER

CT2392A-#

- COLOR:
- 0 - BLACK
 - 2 - RED
 - 4 - YELLOW
 - 5 - GREEN
 - 6 - BLUE
 - 9 - WHITE

THIRD ANGLE PROJECTION



UNLESS OTHERWISE SPECIFIED
DIMENSIONS ARE IN INCHES
TOLERANCES ARE:
FRACTIONS DECIMALS
± 1/32 .XX ± .02
.XXX ± .005
DO NOT SCALE DRAWING

CONTRACT NO.

APPROVALS	DATE
DRAWN WDH	1/12/02
CHECKED	
ENGR.	
DESIGN ACTIVITY	

Cal Test Electronics

22820 Savi Ranch Parkway
Yorba Linda, CA 92887-4610

TITLE

LARGE INSULATED ALLIGATOR CLIP

SIZE A	CAGE CODE 43F45	DWG. NO. P2392A0	REV. A
SCALE 1:1	SHEET 1 OF 1		

NEXT ASSY USED ON

APPLICATION

MATERIAL

FINISH