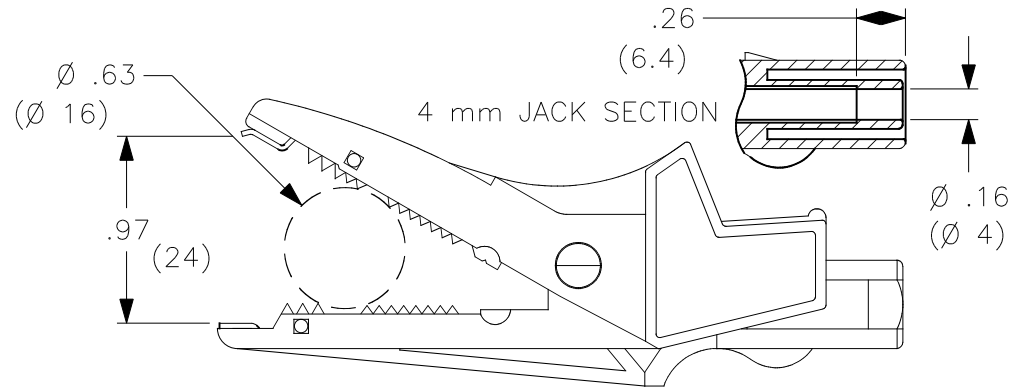


THIS IS ISSUED IN STRICT CONFIDENCE THAT IT IS NOT USED AS A BASIS FOR MANUFACTURE OR SALE AND THAT IT IS NOT COPIED, REPRINTED OR DISCLOSED TO A THIRD PARTY EITHER WHOLLY OR IN PART WITHOUT THE PRIOR WRITTEN CONSENT OF CAL TEST ELECTRONICS, INC.

1. LARGE INSULATED ALLIGATOR CLIP w/4 mm SAFETY BANANA JACK.
2. SPECIFICATIONS:  
INSULATOR: POLYAMIDE (NYLON)  
CONTACT: BRASS, NICKEL PLATED
3. RATING:  
VOLTAGE: 1000 V CATIII/600 V CATIV (IEC61010-031)  
CURRENT: 20 A MAX.  
TEMPERATURE: -20° C TO +80° C.

| REVISIONS |                  |         |          |
|-----------|------------------|---------|----------|
| REV.      | DESCRIPTIONS     | DATE    | APPROVED |
| -         | CLASS A RELEASED | 1/12/02 |          |
| A         | ADDED CAGE CODE  | 6/18/02 |          |



**PART NUMBER**

**CT2392A-#**

- COLOR:
- 0 - BLACK
  - 2 - RED
  - 4 - YELLOW
  - 5 - GREEN
  - 6 - BLUE
  - 9 - WHITE

THIRD ANGLE PROJECTION



UNLESS OTHERWISE SPECIFIED  
DIMENSIONS ARE IN INCHES  
TOLERANCES ARE:  
FRACTIONS DECIMALS  
± 1/32 .XX ± .02  
DO NOT SCALE DRAWING .XXX ± .005

CONTRACT NO.

|                 |         |
|-----------------|---------|
| APPROVALS       | DATE    |
| DRAWN WDH       | 1/12/02 |
| CHECKED         |         |
| ENGR.           |         |
| DESIGN ACTIVITY |         |

**Cal Test Electronics**

22820 Savi Ranch Parkway  
Yorba Linda, CA 92887-4610

TITLE  
**LARGE INSULATED ALLIGATOR CLIP**

|                  |                           |                            |                  |
|------------------|---------------------------|----------------------------|------------------|
| SIZE<br><b>A</b> | CAGE CODE<br><b>43F45</b> | DWG. NO.<br><b>P2392A0</b> | REV.<br><b>A</b> |
| SCALE<br>1:1     | SHEET<br>1 OF 1           |                            |                  |

|             |         |
|-------------|---------|
| MATERIAL    |         |
| FINISH      |         |
| NEXT ASSY   | USED ON |
| APPLICATION |         |