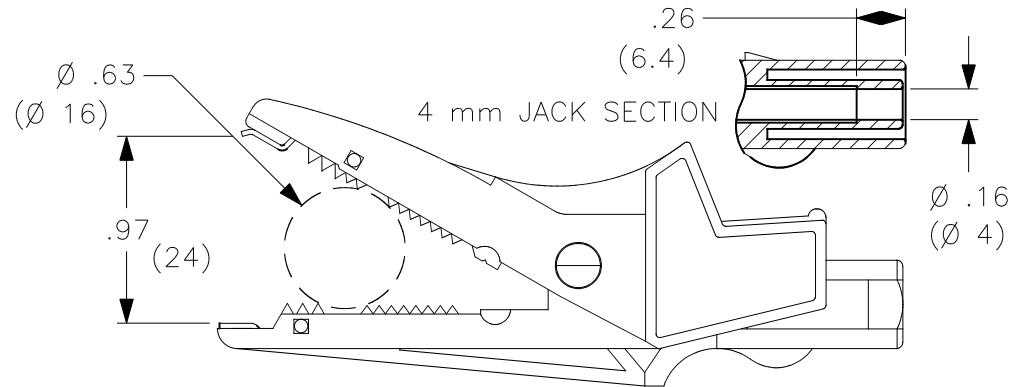
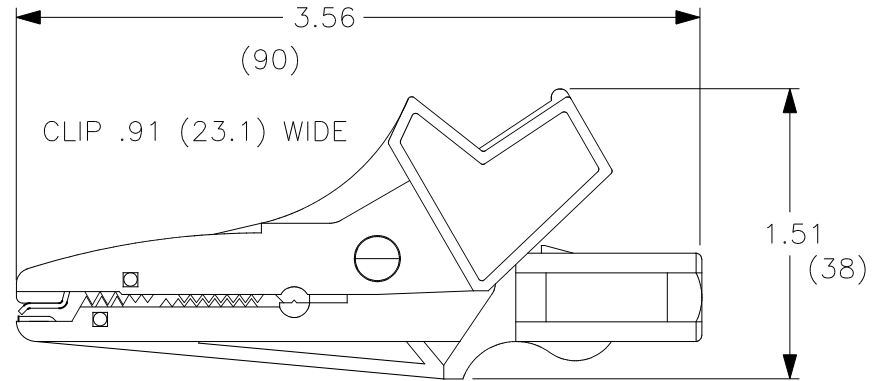


THIS IS ISSUED IN STRICT CONFIDENCE THAT IT IS NOT USED AS A BASIS FOR MANUFACTURE OR SALE AND THAT IT IS NOT COPIED, REPRINTED OR DISCLOSED TO A THIRD PARTY EITHER WHOLLY OR IN PART WITHOUT THE PRIOR WRITTEN CONSENT OF CAL TEST ELECTRONICS, INC.

1. LARGE INSULATED ALLIGATOR CLIP w/4 mm SAFETY BANANA JACK.
2. SPECIFICATIONS:
INSULATOR: POLYAMIDE (NYLON)
CONTACT: BRASS, NICKEL PLATED
3. RATING:
VOLTAGE: 1000 V CATIII/600 V CATIV (IEC61010-031)
CURRENT: 20 A MAX.
TEMPERATURE: -20° C TO +80° C.

| REVISIONS | | | |
|-----------|------------------|---------|----------|
| REV. | DESCRIPTIONS | DATE | APPROVED |
| - | CLASS A RELEASED | 1/12/02 | |
| A | ADDED CAGE CODE | 6/18/02 | |

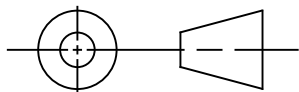


PART NUMBER

CT2392A-#

- COLOR:
- 0 - BLACK
 - 2 - RED
 - 4 - YELLOW
 - 5 - GREEN
 - 6 - BLUE
 - 9 - WHITE

THIRD ANGLE PROJECTION



UNLESS OTHERWISE SPECIFIED
DIMENSIONS ARE IN INCHES
TOLERANCES ARE:
FRACTIONS DECIMALS
± 1/32 .XX ± .02
 .XXX ± .005
DO NOT SCALE DRAWING

CONTRACT NO.

| | |
|-----------------|---------|
| APPROVALS | DATE |
| DRAWN WDH | 1/12/02 |
| CHECKED | |
| ENGR. | |
| DESIGN ACTIVITY | |

Cal Test Electronics

22820 Savi Ranch Parkway
Yorba Linda, CA 92887-4610

TITLE
LARGE INSULATED ALLIGATOR CLIP

| | | | |
|------------------|---------------------------|----------------------------|------------------|
| SIZE A | CAGE CODE 43F45 | DWG. NO. P2392A0 | REV. A |
| SCALE 1:1 | SHEET 1 OF 1 | | |

| | |
|-------------|---------|
| MATERIAL | |
| FINISH | |
| NEXT ASSY | USED ON |
| APPLICATION | |