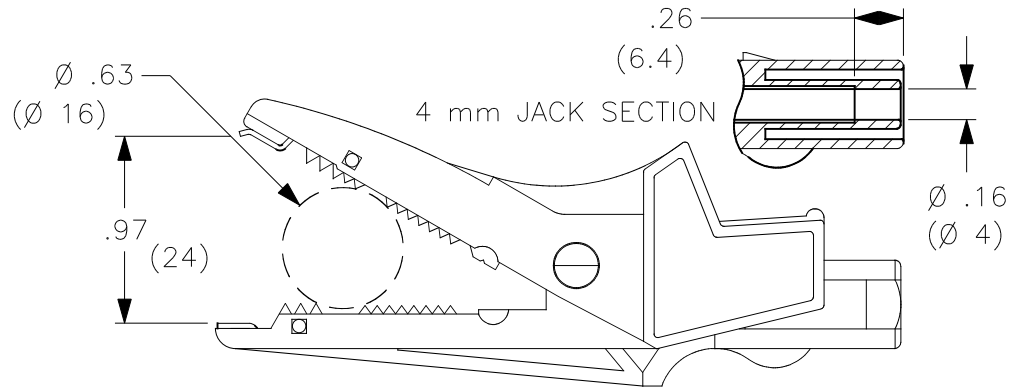


THIS IS ISSUED IN STRICT CONFIDENCE THAT IT IS NOT USED AS A BASIS FOR MANUFACTURE OR SALE AND THAT IT IS NOT COPIED, REPRINTED OR DISCLOSED TO A THIRD PARTY EITHER WHOLLY OR IN PART WITHOUT THE PRIOR WRITTEN CONSENT OF CAL TEST ELECTRONICS, INC.

1. LARGE INSULATED ALLIGATOR CLIP w/4 mm SAFETY BANANA JACK.
2. SPECIFICATIONS:  
INSULATOR: POLYAMIDE (NYLON)  
CONTACT: BRASS, NICKEL PLATED
3. RATING:  
VOLTAGE: 1000 V CATIII/600 V CATIV (IEC61010-031)  
CURRENT: 20 A MAX.  
TEMPERATURE: -20° C TO +80° C.

REVISIONS			
REV.	DESCRIPTIONS	DATE	APPROVED
-	CLASS A RELEASED	1/12/02	
A	ADDED CAGE CODE	6/18/02	



**PART NUMBER**

**CT2392A-#**

- COLOR:
- 0 - BLACK
  - 2 - RED
  - 4 - YELLOW
  - 5 - GREEN
  - 6 - BLUE
  - 9 - WHITE

THIRD ANGLE PROJECTION



UNLESS OTHERWISE SPECIFIED  
DIMENSIONS ARE IN INCHES  
TOLERANCES ARE:  
FRACTIONS DECIMALS  
± 1/32 .XX ± .02  
                  .XXX ± .005  
DO NOT SCALE DRAWING

CONTRACT NO.

APPROVALS	DATE
DRAWN WDH	1/12/02
CHECKED	
ENGR.	
DESIGN ACTIVITY	

**Cal Test Electronics**

22820 Savi Ranch Parkway  
Yorba Linda, CA 92887-4610

TITLE  
**LARGE INSULATED ALLIGATOR CLIP**

SIZE <b>A</b>	CAGE CODE <b>43F45</b>	DWG. NO. <b>P2392A0</b>	REV. <b>A</b>
------------------	---------------------------	----------------------------	------------------

SCALE 1:1	SHEET 1 OF 1
--------------	-----------------

NEXT ASSY	USED ON
APPLICATION	