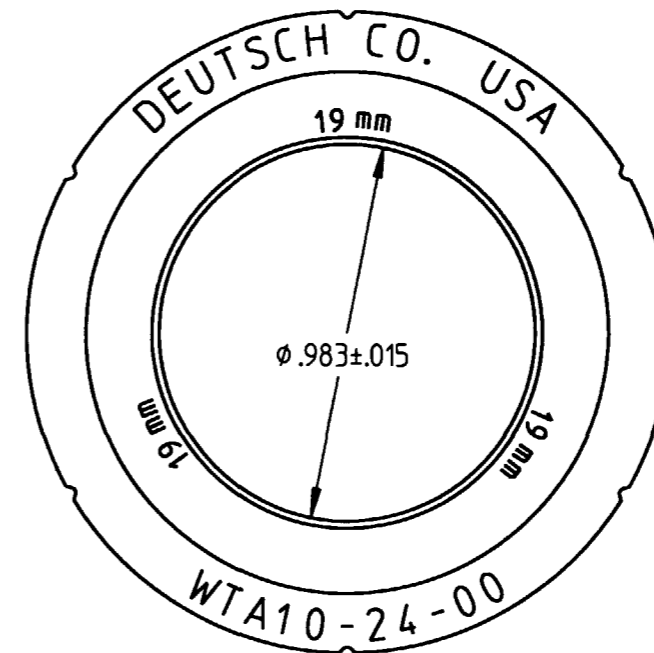
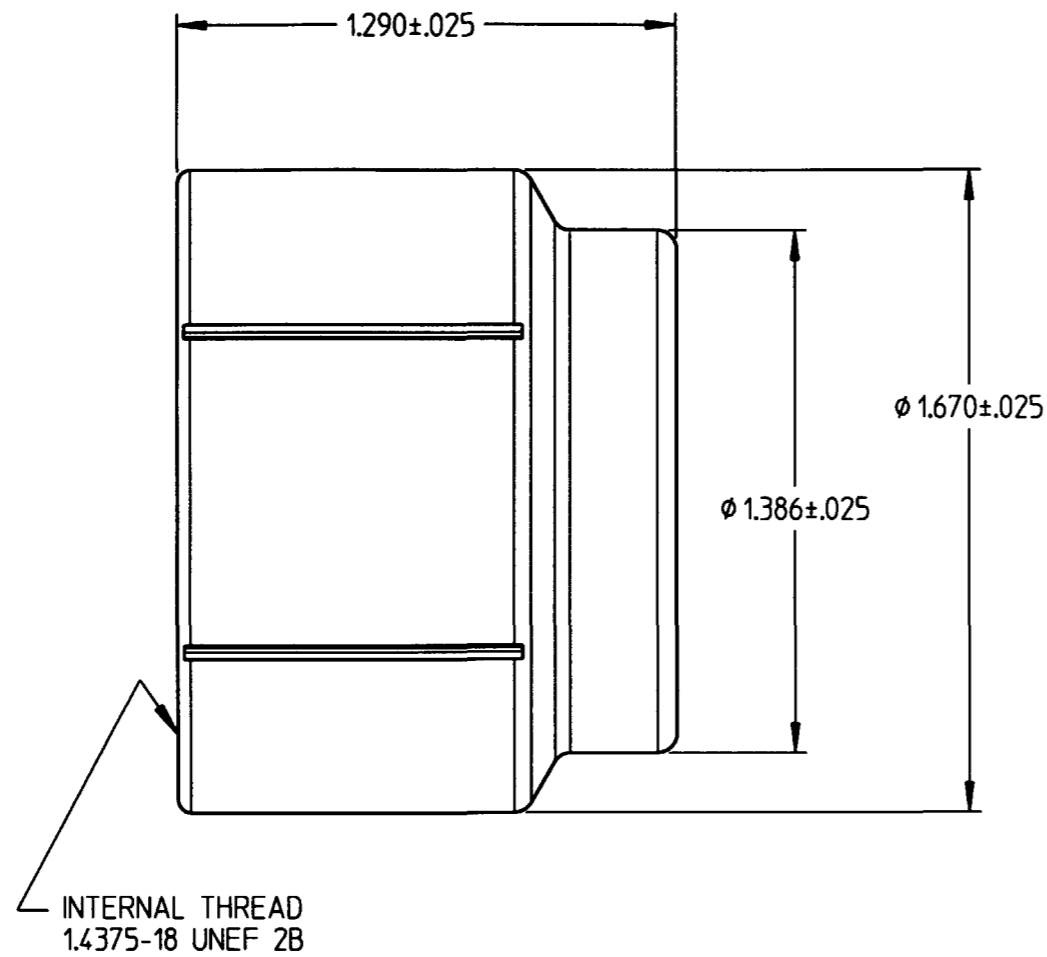


PROPERTY OF DEUTSCH E.C.D.
 This drawing contains proprietary information that shall not be disclosed, duplicated,
 nor used in whole or in part for any purpose other than to evaluate this drawing.

B	0805-201-2401	REVISIONS			
		REV	DESCRIPTION	DATE	APPROVED
		B	REVISED PER E.O. D1125	2/17/95	S.H.



4. ALLISON PART NUMBER WTA10-24-01/19 REF.
3. COUPLING NUT IS FOR 19 MM SPLIT CONVOLUTED TUBING.
2. MATERIAL: HIGH GRADE PLASTIC (BLACK).
1. ALL DIMENSIONS ARE IN INCHES UNLESS OTHERWISE SPECIFIED.

SIGNATURE & DATE	
DR	R. GROSS 11-1-94
CHK	J.P. 11/9/94
PE	R. Gross 11-1-94
APPD	AM
SCALE	NONE
WT	1

COUPLING NUT
 ALLISON WTA10-24-00/19
 BACKSHELL SYSTEM
 SIZE 24
 FOR 19 MM TUBING
 ENVELOPE

CP		MATL CODE	
DEUTSCH ENGINEERED CONNECTING DEVICES			
5733 W. Whittier Ave. Hemet, California			
A	0805-201-2401	CODE 1139	SHEET 1 OF 1

0805-201-2401.dwg