

# 16-3P-Series

## Pushbutton Switches

The 16-3P-Series pushbutton switches are single pole and AC rated up to 3 amps. These momentary action switches have a slow-make, slow-break contact mechanism and require only light actuation force (4 oz. - 1 lb.). These switches are typically used in general purpose applications requiring finger actuation.



**Carling Technologies®**

Innovative Designs. Powerful Solutions.

Innovative Designs. Powerful Solutions.

Carling Technologies, Inc.  
60 Johnson Avenue • Plainville, CT 06062-1177  
Phone: (860) 793-9281 • Fax: (860) 793-9231  
Email: [sales@carlingtech.com](mailto:sales@carlingtech.com) • [www.carlingtech.com](http://www.carlingtech.com)

### Dielectric Strength

UL/CSA: 1000V - live to dead metal parts

### Electrical Life

25,000 cycles

### Mechanical Life

100,000 cycles

### Operating Temperature

32°F to 185°F (0°C to 85°C)

**16-3POFF** - **4** - **CBL**

<sup>1</sup>  
Base Part Number

<sup>2</sup>  
Bushing

<sup>3</sup>  
Actuator Style

#### 1 BASE PART NUMBER: SERIES/POLES/CIRCUITRY/ RATING/TERMINATION

##### Single Pole

##### 3A 125VAC

Off-(On)  
Off-(On) with overtravel <sup>1</sup>  
On-Off

Solder Lug

Wire Leads

16-3P Off      16-3AP Off  
16-3P Off-Ov      16-3AP Off-Ov  
16-3P On      16-3AP On

##### 1A 125VAC

On-On  
On-On with overtravel <sup>1</sup>  
1 On-1 Off (2 circuit)  
1 On-1 Off with overtravel 1 (2 circuit)

116-P      116-AP  
116-P-OV      116-AP-OV  
516-P      516-AP  
516-P-OV      516-AP-OV

#### 2 BUSHING STYLE

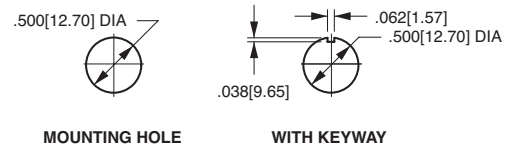
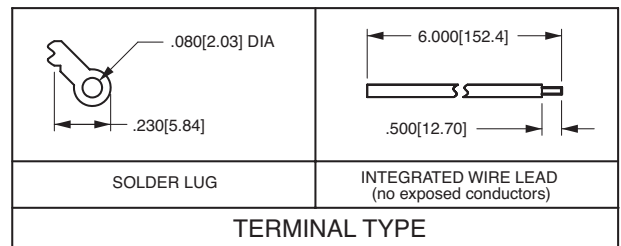
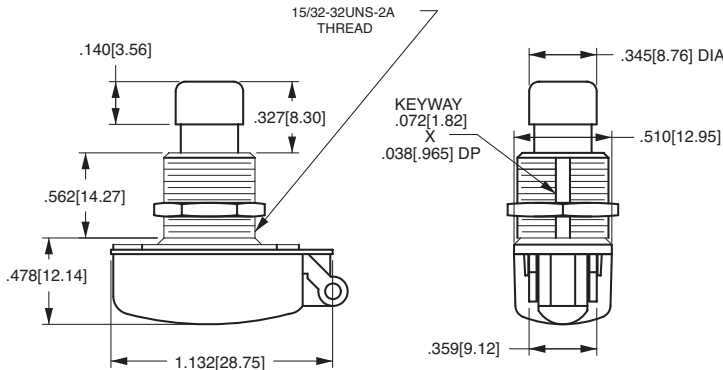
**2**      .312 length  
**4**      .562 length

#### 3 ACTUATOR STYLE<sup>2</sup>

**CBL**      black plastic color cap  
**CRD**      red plastic color cap

Notes:

- 1 Overtravel only available with #4 bushing.
- 2 When selection 3 is left blank, a standard nickel plated plunger is supplied.
- ( ) Indicates momentary function.



\*Manufacturer reserves the right to change product specification without prior notice.