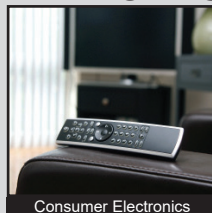


PVT4 SERIES ANTI-VANDAL SWITCH

ANTI-VANDAL SWITCHES
DETECTOR SWITCHES
DIP SWITCHES
KEYLOCK SWITCHES
NAVIGATION SWITCHES
PUSHBUTTON SWITCHES
ROCKER SWITCHES
ROTARY SWITCHES
SLIDE SWITCHES
SNAP ACTION SWITCHES
TACTILE SWITCHES
TOGGLE SWITCHES
CAP OPTIONS



APPLICATIONS / MARKETS



RoHS

SPECIFICATIONS

Electrical Rating: 50mA, 24VDC
Electrical Life: 500,000 Cycles
Contact Resistance: 50mΩ Max.
Insulation Resistance: 1000 MΩ Min.
Dielectric Strength: 250VAC
Operating/Storage Temperature: -25°C to 55°C
Travel: 0.5mm
Moisture Protection: IP65
Contact Arrangement: SPST Off-(On)
Actuation Force: 490 grams
Panel Thickness: 1-6mm
Mounting Nut Torque: 0.8Nm

FEATURES & BENEFITS

- 19mm panel cutout
- Solder or wire lead termination options
- Ring illumination
- LED color options
- Crisp tactile response
- IP65 rated

PART NUMBER CONFIGURATOR

Series	Actuator Options	Terminal Options	Function Options	Housing Options	Button Finish	Lens Style	LED Color	LED Voltage Options
<input type="text" value="PVT4"/>	<input type="text" value="F - Flat"/>	<input type="text" value="S - Solder Lug
W - Wire leads
300mm"/>	<input type="text" value="4 - Off - (On)*"/>	<input type="text" value="S - Stainless
Stainless"/>	<input type="text" value="S - Stainless
Stainless"/>	<input type="text" value="3 - Ring
Illumination"/>	<input type="text" value="0 - White
1 - Red
2 - Orange
3 - Green
4 - Blue
5 - Yellow"/>	<input type="text" value="1 - Base Voltage
3 - 6V
4 - 12V
5 - 24V"/>

NOTES:
*(ON) Denotes function is momentary

Specifications subject to change without notice 6.5.2018



E-SWITCH®

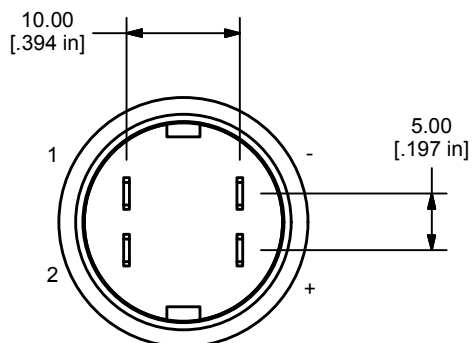
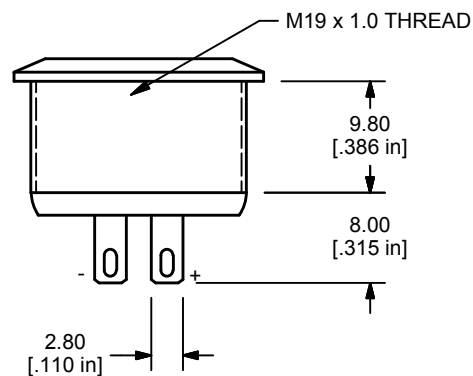
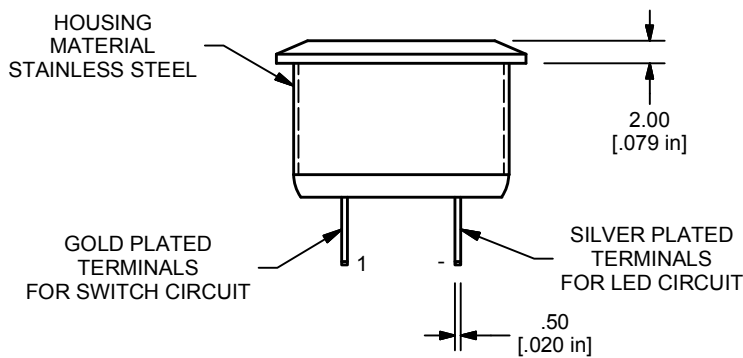
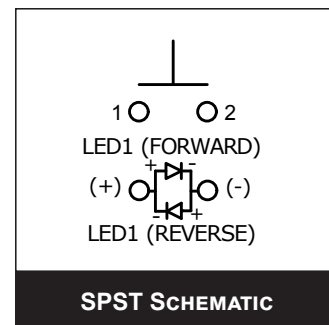
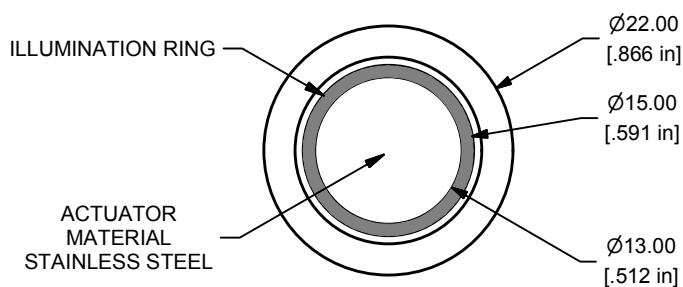
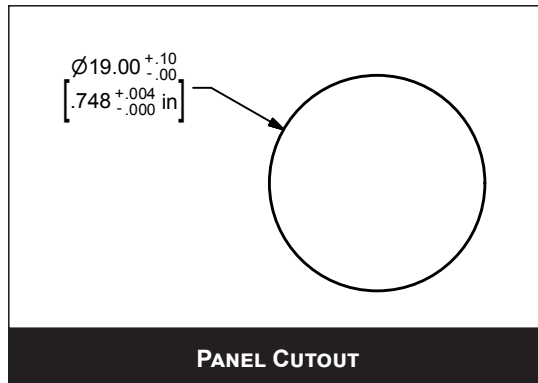
www.e-switch.com

800.867.2717

1

PVT4 SERIES ANTI-VANDAL SWITCH

SOLDERLUG TERMINATION



PVT4 SERIES ANTI-VANDAL SWITCH

WIRE LEAD TERMINATION

ANTI-VANDAL SWITCHES
DETECTOR SWITCHES
DIP SWITCHES
KEYLOCK SWITCHES
NAVIGATION SWITCHES
PUSHBUTTON SWITCHES
ROCKER SWITCHES
ROTARY SWITCHES
SLIDE SWITCHES
SNAP ACTION SWITCHES
TACTILE SWITCHES
TOGGLE SWITCHES
CAP OPTIONS

