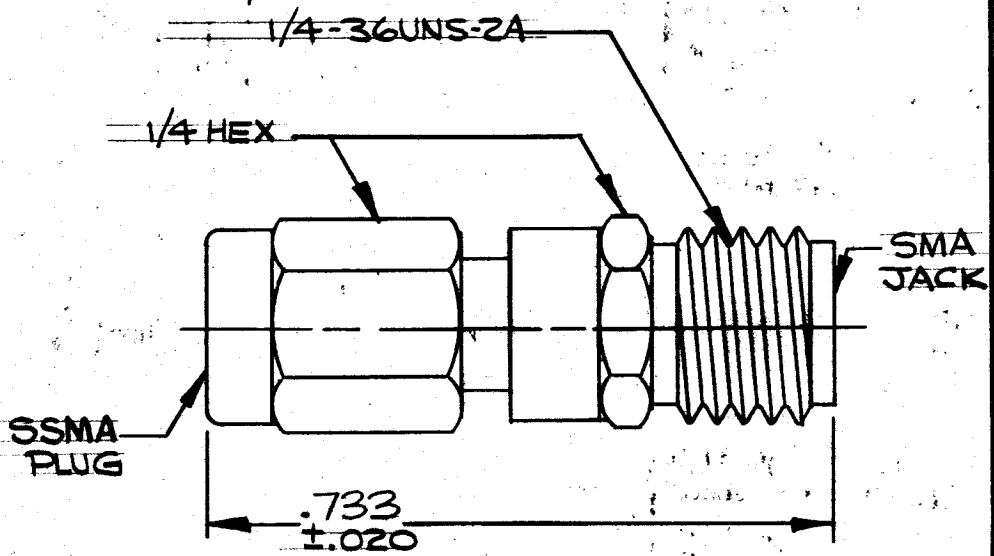


SFT150-6401

NOTES

1. **MATING:**
Interface dimensions per Solitron/Microwave MD-154, SSMA (40GHz) and MD-158, SMA (40GHz).
2. **MATERIALS:**
Body and
Coupling Nut: _____ Stainless Steel per AMS-5640, Type 303, Cond. A.
Lock Ring & Contact: _____ Beryllium Copper per QQ-C-530, Cond. H.T., Alloy 173.
Insulator: _____ Teflon per Mil-P-19468 and L-P-403, Type I.
Gasket: _____ Silicone Rubber per ZZ-R-765, Class IIB, Grade 50-60.
3. **FINISH:**
Body and
Coupling Nut: _____ Passivate per QQ-P-35A, Type I.
Contact: _____ Gold per Mil-G-45204, Type II, Grade C, Class 2; over Copper per Mil-C-14550, Class 4.
4. Center Contact epoxy captivated.
5. Insulator mechanically captivated.



SYM	DESCRIPTION	DATE	APPR.
-	REL. F- 8584	10/81	DGG
A	REV. F- 8845	3/82	DGG

UNLESS OTHERWISE SPECIFIED
 1. ALL DIMENSIONS ARE AFTER PLATING
 2. BREAK ALL CORNERS & EDGES .005 R MAX.
 3. CHAMFER 1ST & LAST THREADS 45°
 4. SURFACE ROUGHNESS 63 MIL-STD-10
 5. DIAMETERS ON COMMON CENTERS TO BE CONCENTRIC WITHIN _____ T.I.R.
 6. REMOVE ALL BURRS

DIMENSIONS ARE IN INCHES
 TOLERANCES

DECIMALS	FRACTIONAL	ANGULAR
X ± .030		X' ± 1'0"
.XX ± .015	± 1/64	
.XXX ± .005		X'X' ± 15'

DRAWN -1 DATE 10-1-81
 CHECKED _____ DATE _____
 APPROVED DGG DATE 10/2/81

SOLITRON/MICROWAVE
 PORT SALERNO, FLORIDA

MATERIAL _____

FINISH _____ AREA _____

SCALE _____ CODE IDENT. NO. **95077** SIZE **A**

REF. **ENGINEERING DATA DRAWING**

TITLE **SMA (40 GHz) JACK SSMA (40 GHz) PLUG ADAPTER**

DRAWING NO. **SFT150-6401 SHT 1 OF 2**

S/M DESIGN STANDARDS

DRAWING NO.
SF1150-6401

REQUIREMENTS

RATINGS

Nominal Impedance (ohms)

50

Frequency Range (ghz)

DC-40GHZ

Voltage Rating (max. vrms)

250

Temperature Rating (degrees centigrade)

-65° to +165°

VSWR (max.)

1.04 + .007 xFGHZ

Insertion Loss (dB max.)

.05 x \sqrt{FGHZ}

RF Leakage (min. dB down)

100 dB-FGHZ

RF High Potential (max. vrms)

500 at 5MHZ

Dielectric Withstanding Voltage (max. vrms)

750

Insulation Resistance (min. megohms)

5000

Contact Resistance:

SMA

SSMA

Center Contact (max. milliohms)

3.0

4.0

Outer Contact (max. milliohms)

2.0

1.0

Center Contact Axial Forces:

SMA

SSMA

Insertion (max. ounces)

48.0

N/A

Withdrawal (min. ounces)

2.0

Connector Durability (min. cycles)

500

Connector Engagement & Disengagement
(max. inch lbs.)

2.0

REQUIREMENTS

RATINGS

Vibration

MIL-STD-202

Method 204

Cond. D (20G's)

Shock

MIL-STD-202

Method 213

Cond. I (100G's)

Temperature
Cycling

MIL-STD-202

Method 102 - Cond. C
(-65°C to + 200°C)

Corrosion

MIL-STD-202

Method 101

Cond. B (48 Hrs.)

Moisture
Resistance

MIL-STD-202

Method 106

Less Step 7b

Barometric Pressure
(Altitude)

MIL-STD-202

Method 105 - Cond. C

(70,000 ft) (190 vrms)

Captivation
Center Contact
(Min. Axial Force)
(Min. Radial Torque)

6.0 lbs.

2 in. oz.

REMARKS: 1) Recommended Mating Torque: SMA 7-10 inch pounds
SSMA 6-8 inch poundsTITLE: SMA (40GHz) JACK, SSMA (40GHz)
PLUG ADAPTER**SOLITRON/MICROWAVE**
PORT SALERNO, FLORIDA

SHT. 2 of 2

DRAWING NO.
SF1150-6401

REV.

A