

6

5

4

3

2

1

E

E

D

D

C

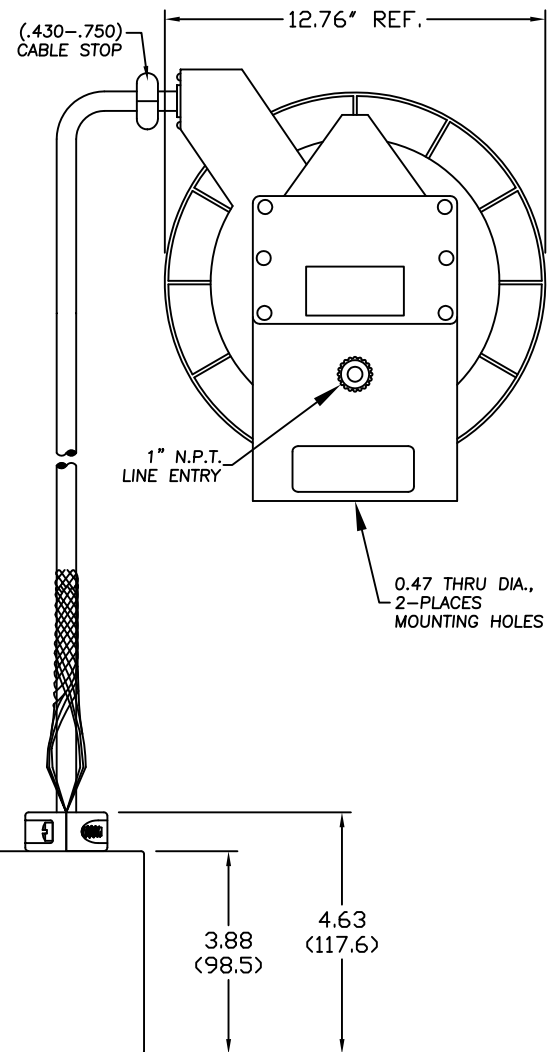
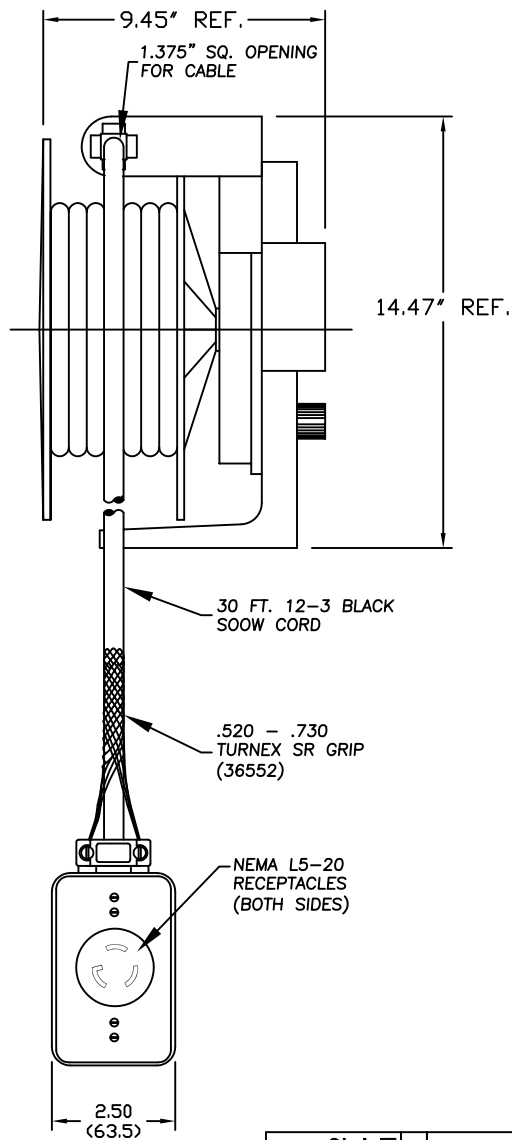
C

B

B

A

A



RELEASE DRAWING EC NO: WNA2010-0632 DRWN: TVICKERS 2010/04/12 CHKD: DW APPR: DTTITUS 2010/07/21 REV: A	DESCRIPTION 333D CABLE REEL W/30' #12/3 BOX & MESH GRIP	QUALITY SYMBOLS	GENERAL TOLERANCES (UNLESS SPECIFIED)		DIMENSION STYLE IN/(MM)		SCALE NTS	DESIGN UNITS INCH	THIRD ANGLE PROJECTION	
		$\nabla=0$ $\nabla C=0$	mm	INCH	DRAWN BY TVICKERS	DATE 2010/04/12	TITLE 333D CABLE REEL W/30' #12/3 BOX & MESH GRIP			
			4 PLACES ±---	±---	CHECKED BY DW	DATE 2010/04/12	MOLEX INCORPORATED			
			3 PLACES ±---	±0.005	APPROVED BY DTTITUS	DATE 2010/07/21	MATERIAL NO. 1300830894		DOCUMENT NO. SD-130083-024	SHEET NO. 1 OF 1
	2 PLACES ±0.13	±0.010	ANGULAR ±.5°		DRAFT WHERE APPLICABLE MUST REMAIN WITHIN DIMENSIONS					
	1 PLACE ±0.25	±0.020	THIS DRAWING CONTAINS INFORMATION THAT IS PROPRIETARY TO MOLEX INCORPORATED AND SHOULD NOT BE USED WITHOUT WRITTEN PERMISSION							

6

5

4

3

2

1