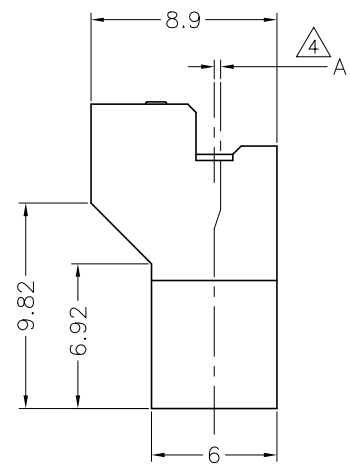
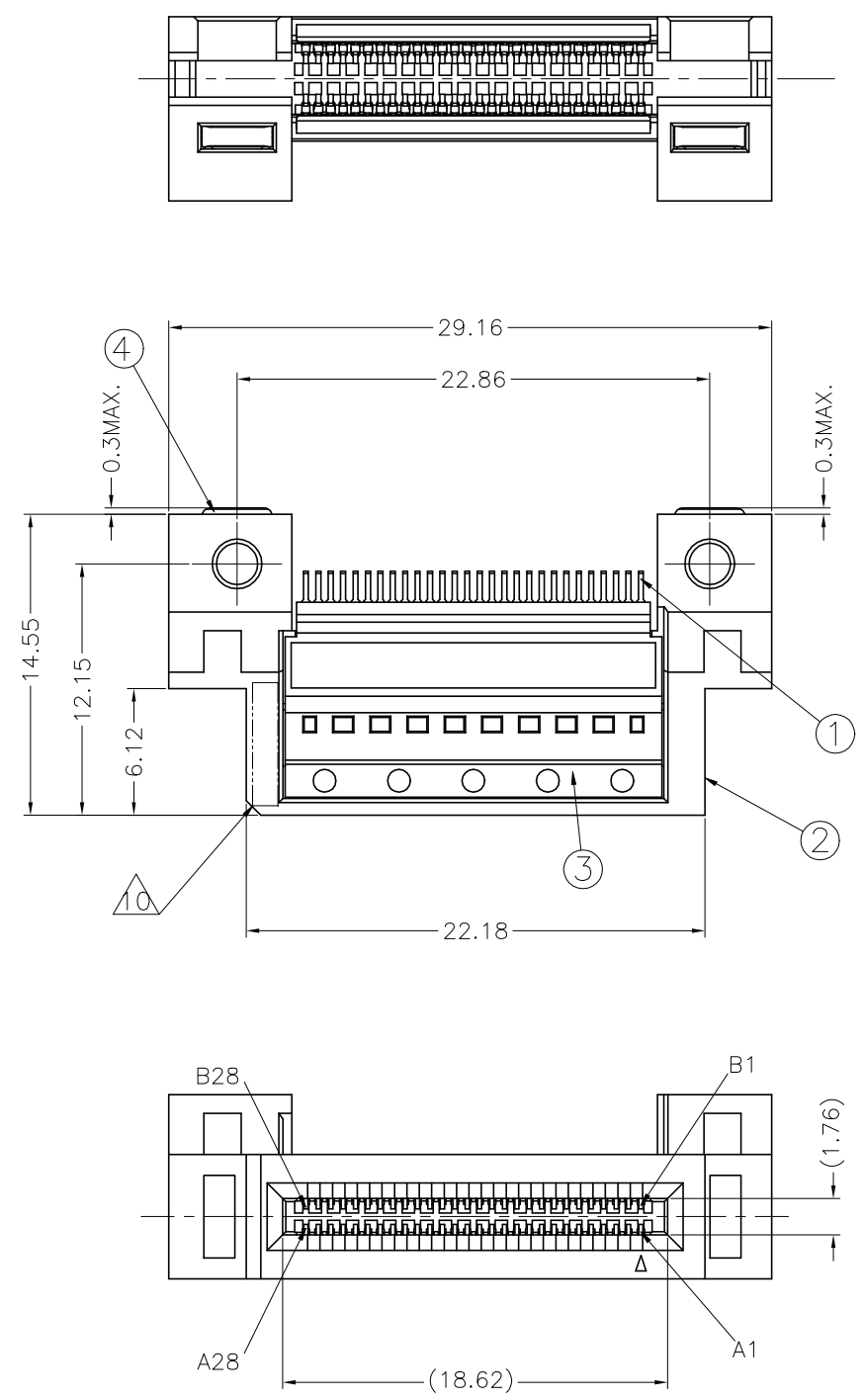


REVISIONS				
P	LTR	DESCRIPTION	DATE	DWN APVD
2		PRELIMINARY	09OCT2018	J.T K.K

- NOTE
- ① HOUSING AND COVER: LCP, UL94-V0, BLACK. CONTACTS: COPPER ALLOY.
  - ② GOLD PLATED ON CONTACT AREA. TIN PLATE ON SOLDER TAIL AREA.
  - ③ APPLICABLE HOST BOARD THICKNESS
  - ④ OFFSET AMOUNT BETWEEN AIC BOARD AND HOST BOARD CENTER LINE.
  - ⑤ SEE MSA SPECIFICATION FOR ADDITIONAL PADDLE CARD LAYOUTS COMPATIBLE WITH THIS RECEPTACLE AND FOR OPTIONAL SPLIT CONTACT PAD LAYOUTS FOR THE PADDLE CARD. SPECIFICATION PINOUT MAY ALSO DESIGNATE PAD SEQUENCE DIFFERENT FROM ILLUSTRATION.
  - ⑥ POSITIONS DESIGNATED AS "SIGNAL" ARE RECOMMENDED LOCATIONS FOR HIGH SPEED DIFFERENTIAL PAIR SIGNALING. THESE LOCATIONS MAY ALSO BE USED FOR SUPPORTING SIDEBAND SIGNALS OR OTHER UTILITY PURPOSES. POSITIONS DESIGNATED AS "GROUND" ARE REQUIRED WHEN SUPPORTING HIGH SPEED DIFFERENTIAL SIGNALS. THESE LOCATIONS MAY ALSO BE USED FOR SIDEBAND SIGNALS OR OTHER UTILITY PURPOSES.
  - ⑦ CONTROLLED ACROSS PADS.
  - ⑧ THIS LAYOUT IS ADOPTED IN SFF-TA-1002 Rev 1.1
  - ⑨ SCREW IS ENCLOSED BY SEPARATE PACKING. SCREW SIZE: M2  
SCREW LENGTH(REF): 6  
HEAD SIZE(REF): Ø3.5, 1.3HEIGHT
  - ⑩ DATE CODE MARKING.



PLATING	④ DIM A	③ DIM B (HOST BOARD THICKNESS)	PARTS No.
0.76 μm Au	0	1.57 ±0.15	2340311-1

AS SHOWN : -1

HVM DESIGN

⑨	2	M2 SCREW	
	2	M2 NUT PLATE	④
	2	COVER HOUSING 28P	③
	1	HOUSING	②
	56	CONTACT	①
	QTY	NAME	ITEM No.

PROPOSAL DRAWING  
 THIS PRINT IS PRELIMINARY  
 UNQUALIFIED PRODUCT  
 THESE SPEC MAY BE CHANGED BASED ON  
 ADDITIONAL INVESTIGATION AND TESTING  
 WITHOUT YOUR PERMISSION.

THIS DRAWING IS A CONTROLLED DOCUMENT.

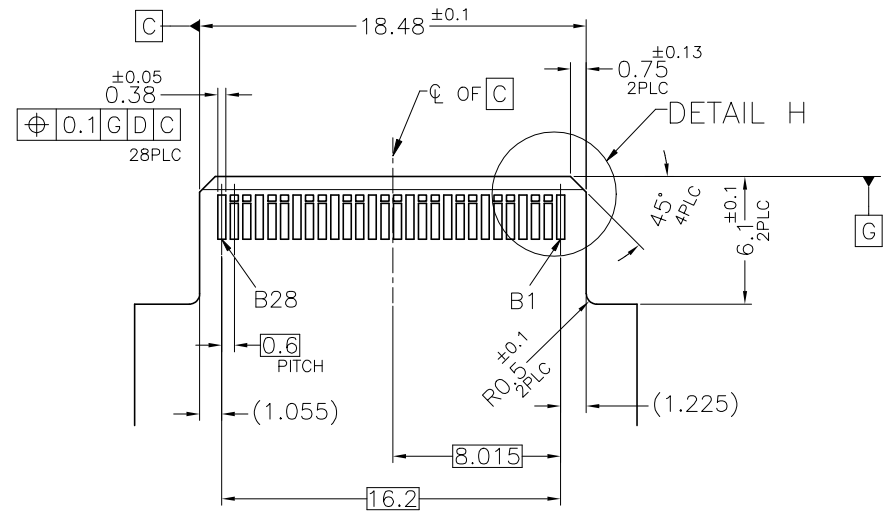
DIMENSIONS: mm	TOLERANCES UNLESS OTHERWISE SPECIFIED: ±0.3	DWN J.TSUJI 01OCT2018	
		CHK K.KOBAYASHI 01OCT2018	
		APVD K.KOBAYASHI 01OCT2018	
		NAME	
MATERIAL ①	FINISH ②	APVD K.KOBAYASHI 01OCT2018	TE Connectivity
		PRODUCT SPEC	56 POSITION SLIVER 2.0 STRADDLE MOUNT
		APPLICATION SPEC	SIZE A2 CAGE CODE 00779 DRAWING NO C-2340331 RESTRICTED TO
		WEIGHT 0	CUSTOMER DRAWING SCALE 4:1 SHEET 1 of 4 REV 2

PRELIMINARY

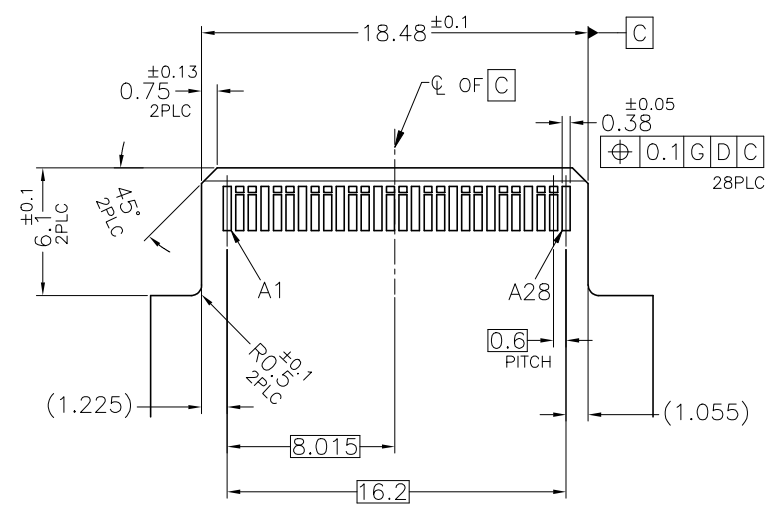
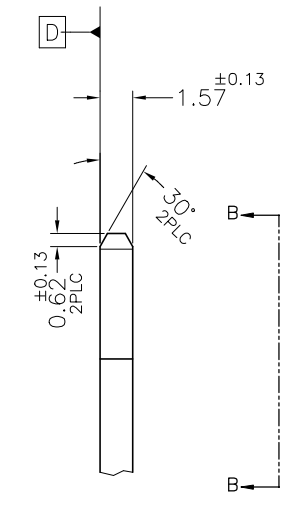
2340331



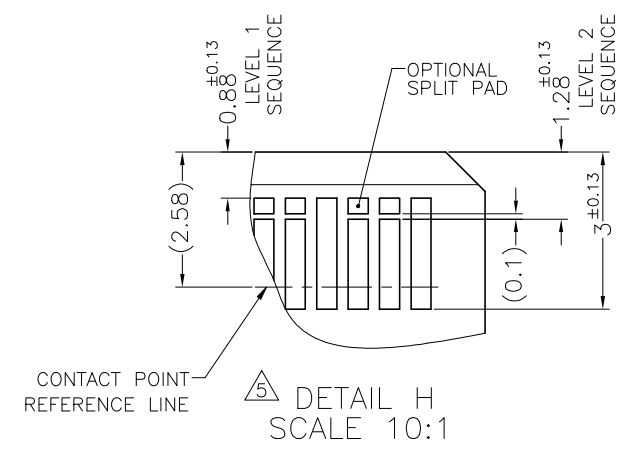
REVISIONS					
P	LTR	DESCRIPTION	DATE	DWN	APVD
-	-	SEE SHEET 1	-	-	-



△ REFERENCE AIC BOARD LAYOUT



VIEW B-B



△ DETAIL H SCALE 10:1

PROPOSAL DRAWING  
 THIS PRINT IS PRELIMINARY  
 UNQUALIFIED PRODUCT  
 THESE SPEC MAY BE CHANGED BASED ON  
 ADDITIONAL INVESTIGATION AND TESTING  
 WITHOUT YOUR PERMISSION.

THIS DRAWING IS A CONTROLLED DOCUMENT.		DWN	TE Connectivity	
DIMENSIONS: mm		CHK	NAME	
TOLERANCES UNLESS OTHERWISE SPECIFIED: ±0.3		APVD	56 POSITION SLIVER 2.0 STRADDLE MOUNT	
0-PLC ±		PRODUCT SPEC	SIZE	CAGE CODE
1-PLC ±		APPLICATION SPEC	A2	00779
2-PLC ±		WEIGHT	DRAWING NO	RESTRICTED TO
3-PLC ±		0	C-2340331	
4-PLC ±		CUSTOMER DRAWING	SCALE	SHEET
ANGLES ±		4:1	3 of 4	REV 2
FINISH				

4

3

2

1

THIS DRAWING IS UNPUBLISHED.      RELEASED FOR PUBLICATION  
 © COPYRIGHT - TE Connectivity      ALL RIGHTS RESERVED.


REVISIONS				
P	LTR	DESCRIPTION	DATE	APVD
-	-	SEE SHEET 1	-	-

### CONNECTOR CONTACT IDENTIFICATION

CONTACT NUMBER	SIDE A	SIDE B
1	GROUND	GROUND
2	SIGNAL	SIGNAL
3	SIGNAL	SIGNAL
4	GROUND	GROUND
5	SIGNAL	SIGNAL
6	SIGNAL	SIGNAL
7	GROUND	GROUND
8	SIGNAL	SIGNAL
9	SIGNAL	SIGNAL
10	GROUND	GROUND
11	SIGNAL	SIGNAL
12	SIGNAL	SIGNAL
13	GROUND	GROUND
14	SIGNAL	SIGNAL
15	SIGNAL	SIGNAL
16	GROUND	GROUND
17	SIGNAL	SIGNAL
18	SIGNAL	SIGNAL
19	GROUND	GROUND
20	SIGNAL	SIGNAL
21	SIGNAL	SIGNAL
22	GROUND	GROUND
23	SIGNAL	SIGNAL
24	SIGNAL	SIGNAL
25	GROUND	GROUND
26	SIGNAL	SIGNAL
27	SIGNAL	SIGNAL
28	GROUND	GROUND

### PROPOSAL DRAWING

THIS PRINT IS  
**PRELIMINARY**  
 UNQUALIFIED PRODUCT  
 THESE SPEC MAY BE CHANGED BASED ON  
 ADDITIONAL INVESTIGATION AND TESTING  
 WITHOUT YOUR PERMISSION.

THIS DRAWING IS A CONTROLLED DOCUMENT.		DWN	 TE Connectivity	
DIMENSIONS: mm		CHK	NAME	
TOLERANCES UNLESS OTHERWISE SPECIFIED:		APVD	56 POSITION SLIVER 2.0 STRADDLE MOUNT	
0 PLC ± -		PRODUCT SPEC	SIZE CAGE CODE DRAWING NO	
1 PLC ± -		APPLICATION SPEC	A2 00779 C-2340331	
2 PLC ± -		RESTRICTED TO	CUSTOMER DRAWING	
3 PLC ± -		WEIGHT	SCALE 1:1 SHEET 4 of 4 REV 2	
4 PLC ± -		FINISH		
ANGLES ± -				

2340331

B

A