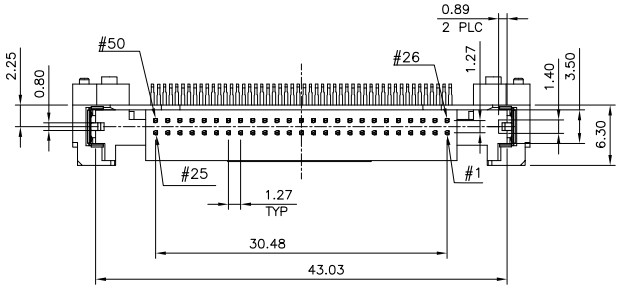
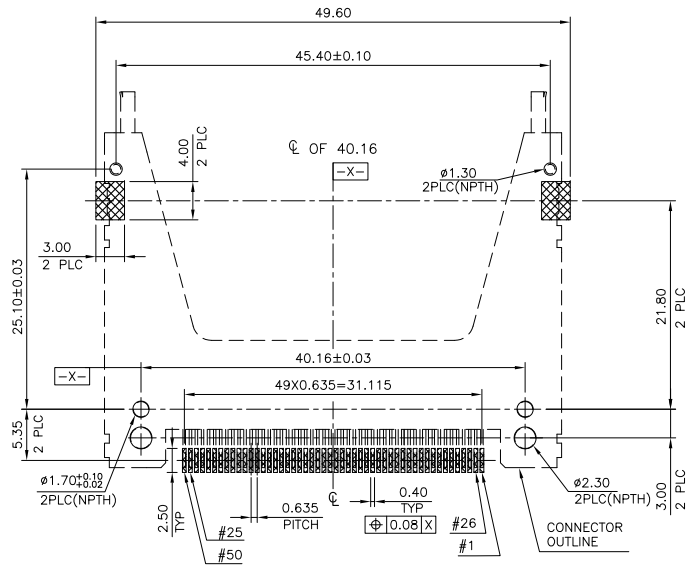
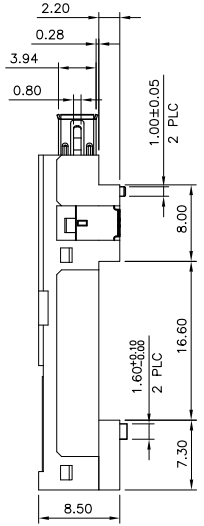
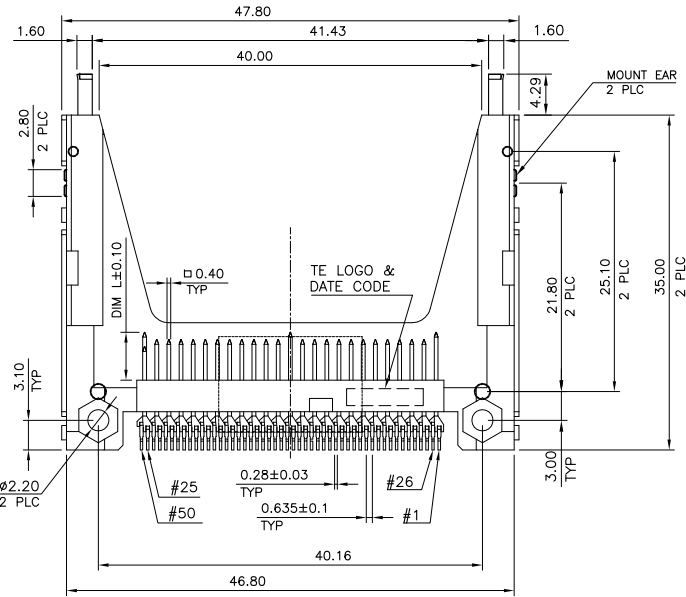


THIS DRAWING IS UNPUBLISHED. RELEASED FOR PUBLICATION
 © COPYRIGHT BY TYCO ELECTRONICS CORPORATION. ALL RIGHTS RESERVED.

LOC	DIST	REVISIONS					
DW		P	LTR	DESCRIPTION	DATE	DWN	APVD
		A4		REVISED (ECR-12-008918)	19SEP12	JL	WK

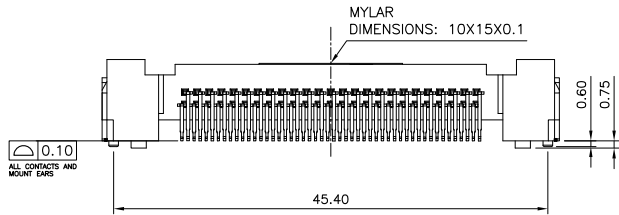
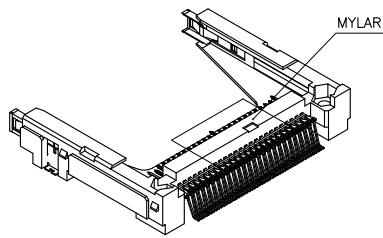


POWER	5.00mm
GENERAL	4.25mm
DETECT	3.50mm
PIN TYPE	INTERFACE DIM. L



RECOMMENDED P.C.B. LAYOUT
 SOLDERING AREA (TOLERACNE:±0.05)

- NOTE:
- MATERIAL:
 HOUSING: LCP WITH 30% GF, UL 94V-0, WHITE COLOR.
 CONTACTS: BRASS.
 MOUNT EAR: BRASS.
 GROUNDING: PHOSPHOR BRONZE.
 - FINISH:
 CONTACTS: 0.381µm [15µ"] GOLD PLATED ON CONTACT AREA,
 2.54µm [100µ"] MIN. MATTE-TIN ON SOLDER TAIL, WITH
 ENTIRE CONTACT UNDERPLATED 1.27µm [50µ"] MIN. NICKEL.
 MOUNT EAR: 2.54µm [100µ"] MIN. TIN PLATED ON SOLDER AREA
 1.27µm [50µ"] MIN. NIKEL UNDERPLATED ALL OVER.
 GROUNDING: 2.03µm [80µ"] MIN. NIKEL UNDERPLATED ALL OVER.
 - REFLOW SOLDER CAPABLE TO 260°C PER TE TEST SPEC.
 109-201, CONDITION B.

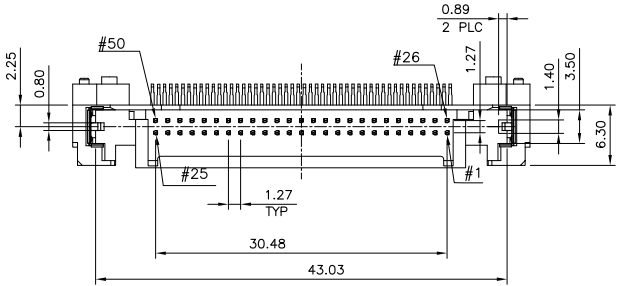


TRAY	W/	1-1734450-1
	W/O	1734450-1
PACKAGE	MYLAR	PART NUMBER

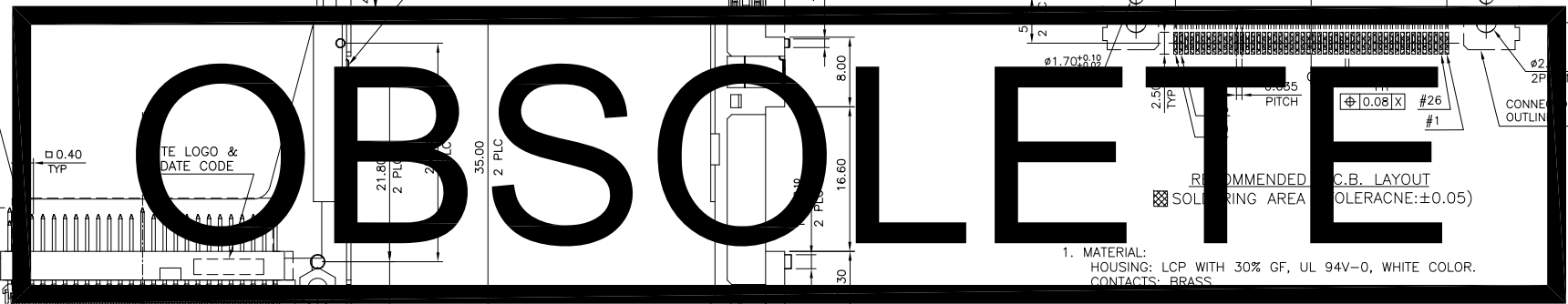
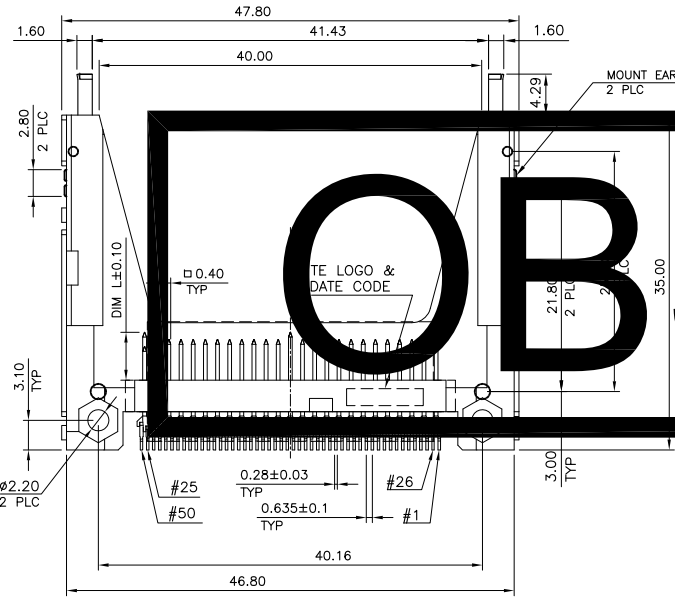
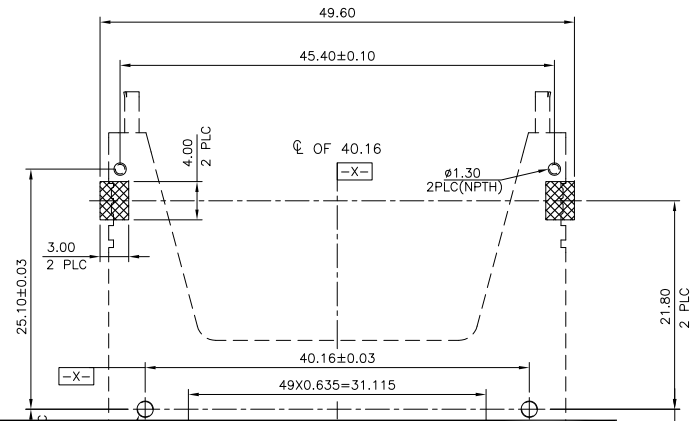
THIS DRAWING IS A CONTROLLED DOCUMENT.		DWN	O. HU	03MAY2007	TE Connectivity PIN HEADER TYPE 2, 50 POS, SMT, TOP BOARD, COMPACT FLASH CARD, STAND OFF 2.2			
DIMENSIONS: MM		CHK	S. HOU	03MAY2007				
TOLERANCES UNLESS OTHERWISE SPECIFIED:		APVD	W.J. KE	03MAY2007				
0 PLC ± 0.5 1 PLC ± 0.3 2 PLC ± 0.2 3 PLC ± - 4 PLC ± - ANGLES ± 2°		NAME						
MATERIAL SEE NOTE		PRODUCT SPEC	108-57134		SIZE	CAGE CODE	DRAWING NO	RESTRICTED TO
FINISH SEE NOTE		QUALIFICATION TEST REPORT	501-57118		WEIGHT	A3 00779 C=1734450		
		CUSTOMER DRAWING	4.64 GRAMS		SCALE	SHEET	1 OF 4	REV A4

THIS DRAWING IS UNPUBLISHED. RELEASED FOR PUBLICATION
 © COPYRIGHT BY TYCO ELECTRONICS CORPORATION. ALL RIGHTS RESERVED.

LOC	DIST	REVISIONS					
DW		P	LTR	DESCRIPTION	DATE	DWN	APVD
				SEE SHEET 1.			

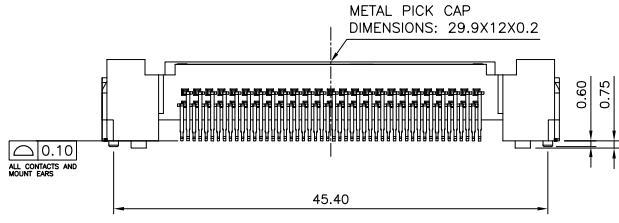
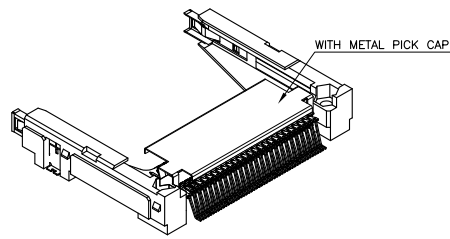


POWER	5.00mm
GENERAL	4.25mm
DETECT	3.50mm
PIN TYPE	INTERFACE DIM. L



RECOMMENDED C.B. LAYOUT TOLERANCE: ±0.05
 SOLDERING AREA

- MATERIAL:
 HOUSING: LCP WITH 30% GF, UL 94V-0, WHITE COLOR.
 CONTACTS: BRASS
 GROUNDING: PHOSPHOR BRONZE.
 PICKCAP: STEEL.
- FINISH:
 CONTACTS: 0.381µm [15µ] GOLD PLATED ON CONTACT AREA,
 2.54µm [100µ] MIN. MATTE-TIN ON SOLDER TAIL, WITH
 ENTIRE CONTACT UNDERPLATED 1.27µm [50µ] MIN. NICKEL.
 MOUNT EAR: 2.54µm [100µ] MIN. TIN PLATED ON SOLDER AREA
 1.27µm [50µ] MIN. NIKEL UNDERPLATED ALL OVER.
 GROUNDING: 2.03µm [80µ] MIN. NIKEL UNDERPLATED ALL OVER.
- REFLOW SOLDER CAPABLE TO 260°C PER TE TEST SPEC.
 109-201, CONDITION B.



REEL	W/	1-1734450-2
PACKAGE	METAL CAP	PART NUMBER

THIS DRAWING IS A CONTROLLED DOCUMENT.		DWN	STE TE Connectivity	
DIMENSIONS: MM		CHK		
TOLERANCES UNLESS OTHERWISE SPECIFIED:		APVD	NAME	
0 PLC	± 0.5	PRODUCT SPEC	PIN HEADER TYPE 2, 50 POS, SMT, TOP BOARD, COMPACT FLASH CARD, STAND OFF 2.2	
1 PLC	± 0.3	QUALIFICATION TEST REPORT	SIZE	
2 PLC	± 0.2		CAGE CODE	
3 PLC	± -		DRAWING NO	
4 PLC	± -		RESTRICTED TO	
ANGLES	± 2'		A3 00779 C=1734450	
MATERIAL	FINISH	WEIGHT	CUSTOMER DRAWING	
SEE NOTE	SEE NOTE	4.64 GRAMS	SCALE	SHEET
				2 OF 4
				REV A4

4

3

2

1

THIS DRAWING IS UNPUBLISHED.

RELEASED FOR PUBLICATION

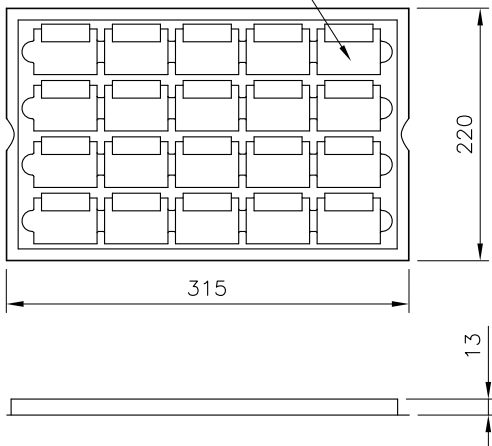
© COPYRIGHT BY TYCO ELECTRONICS CORPORATION. ALL RIGHTS RESERVED.

LOC DW DIST

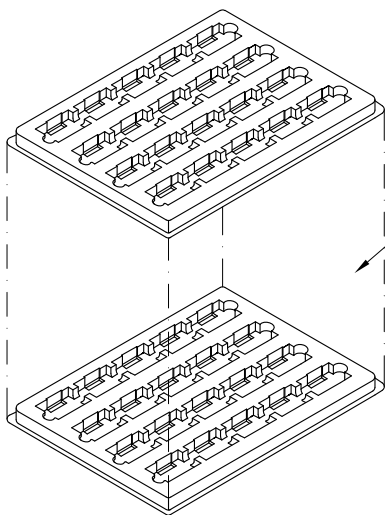
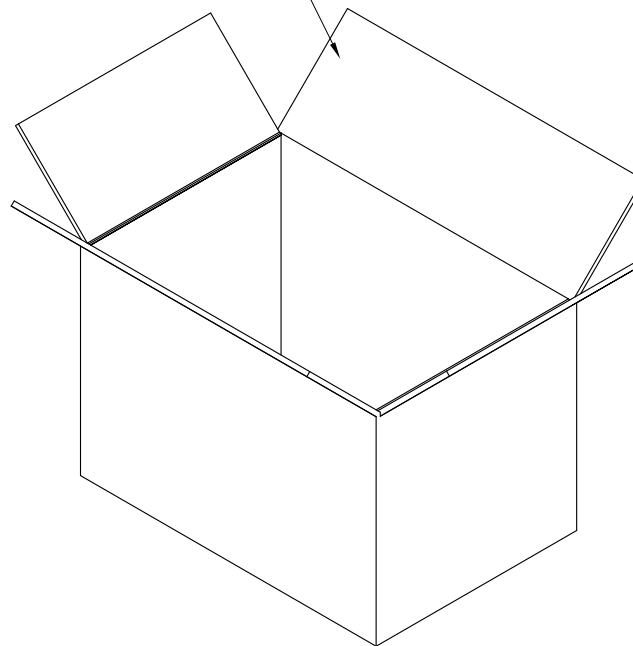
REVISIONS

P	LTR	DESCRIPTION	DATE	DWN	APVD
		SEE SHEET 1.			

TRAY
20PCS/ TRAY



CARTON SIZE
450(L)X330(W)X254(H)



TOTAL: 41 TRAYS
TOP LAYER IS EMPTY.

7.3 Kg	6.5 Kg	800
G.W	N.W	QUANTITY

THIS DRAWING IS A CONTROLLED DOCUMENT.

DIMENSIONS: MM	TOLERANCES UNLESS OTHERWISE SPECIFIED: 0 PLC ± - 1 PLC ± - 2 PLC ± - 3 PLC ± - 4 PLC ± - ANGLES ± -	DWN	CHK	APVD	NAME	TE Connectivity PIN HEADER TYPE 2, 50 POS, SMT, TOP BOARD, COMPACT FLASH CARD, STAND OFF 2.2
MATERIAL	FINISH	PRODUCT SPEC	APPLICATION SPEC	WEIGHT	RESTRICTED TO	
		CUSTOMER DRAWING		SIZE A3	CAGE CODE 00779	DRAWING NO. C=1734450
				SCALE	SHEET 3 OF 4	REV A4

4

3

2

1

THIS DRAWING IS UNPUBLISHED.

RELEASED FOR PUBLICATION

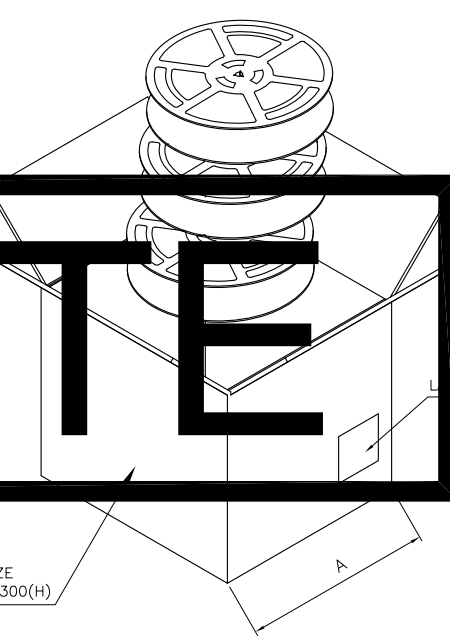
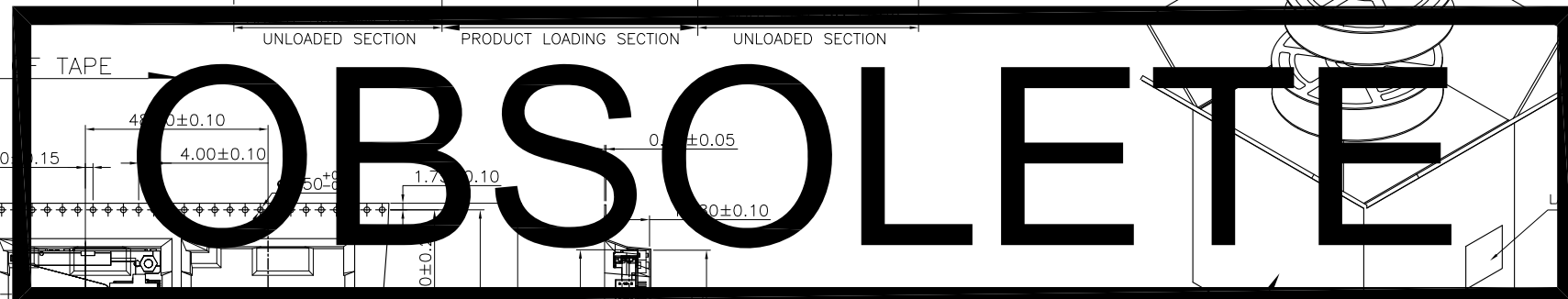
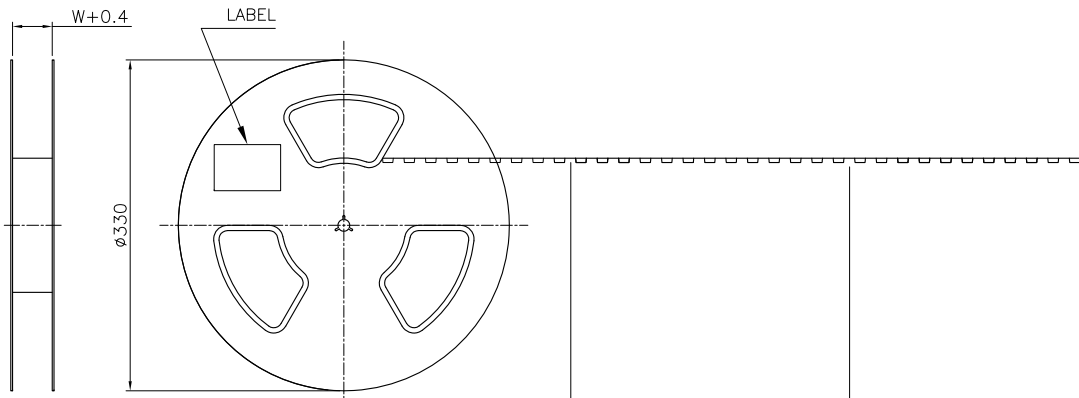
© COPYRIGHT BY TYCO ELECTRONICS CORPORATION.

ALL RIGHTS RESERVED.

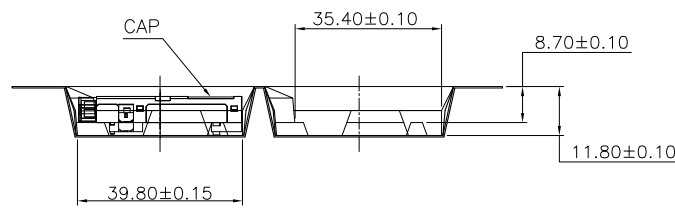
LOC DW DIST

REVISIONS

P	LTR	DESCRIPTION	DATE	DWN	APVD
		SEE SHEET 1.			



24	120	5	600	9	3.2
DIM W	PCS/REEL	REELS/CARTON	QUANTITY (PCS)	G/W (Kg)	N/W (Kg)



THIS DRAWING IS A CONTROLLED DOCUMENT.

DIMENSIONS: MM	TOLERANCES UNLESS OTHERWISE SPECIFIED:
	0 PLC ± -
	1 PLC ± -
	2 PLC ± -
	3 PLC ± -
	4 PLC ± -
	ANGLES ± -
MATERIAL	FINISH

DWN
CHK
APVD
PRODUCT SPEC
APPLICATION SPEC
WEIGHT
CUSTOMER DRAWING

STE TE Connectivity

NAME			
PIN HEADER TYPE 2, 50 POS, SMT, TOP BOARD, COMPACT FLASH CARD, STAND OFF 2.2			
SIZE	CAGE CODE	DRAWING NO	RESTRICTED TO
A3	00779	G=1734450	
SCALE		SHEET	REV
		4 OF 4	A4