

Signal lamps with lamp socket - E 14, 30.5 mm, housing

1.61.021.099/0000

Single-wire screw terminal with clamp: 2 x 0.75 to 2.5 mm², stranded core with wire end sleeve: 2 x 0.75 to 1.5 mm², quick-connect terminal suitable for 2 x 2.8 x 0.8 tin-plated for soldering.



Please include the desired lens in your order.

General information

Form of lens	round
Color of lens	-
Diameter of collar	36 mm

Dimensions

Overall height	13 mm
Mounting depth	58 mm
Mounting hole	30,5 ^{+0,5} mm

Mechanical design

Mounting	ring nut
Terminals	quick connector for 2 x 2.8 x 0.8 mm
Lamp socket	E 14
Lamp	filament lamp

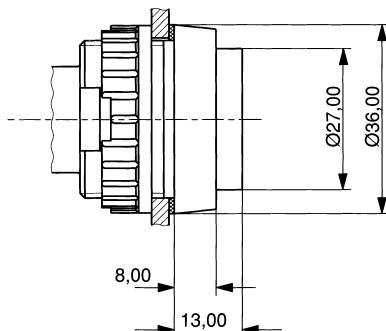
Electrical characteristics

Voltage limit max.	250 V
Power limit max.	5 W

Other specifications

Degree of protection from front side	IP40 (DIN EN 60529)
Weight	40 g
ROHS compliant	yes
REACH compliant	yes

lens form 1



lens form 3

