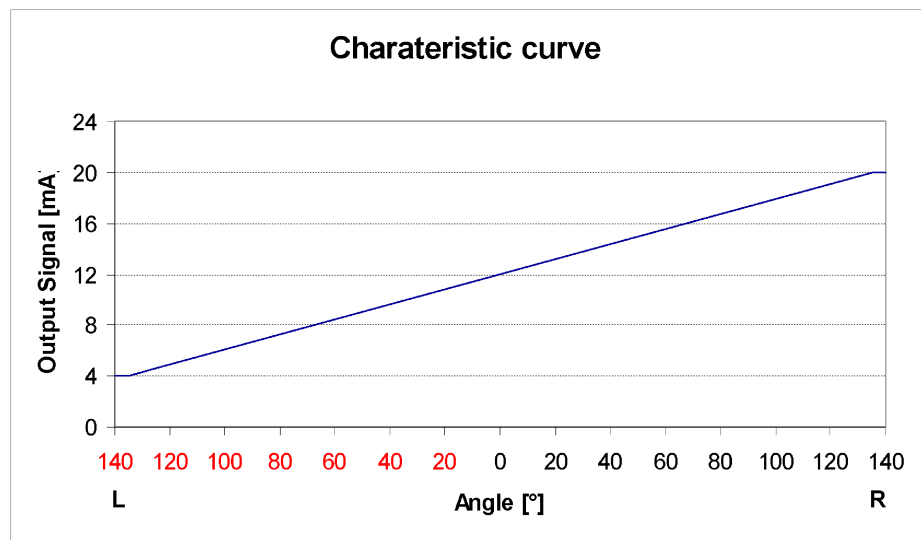
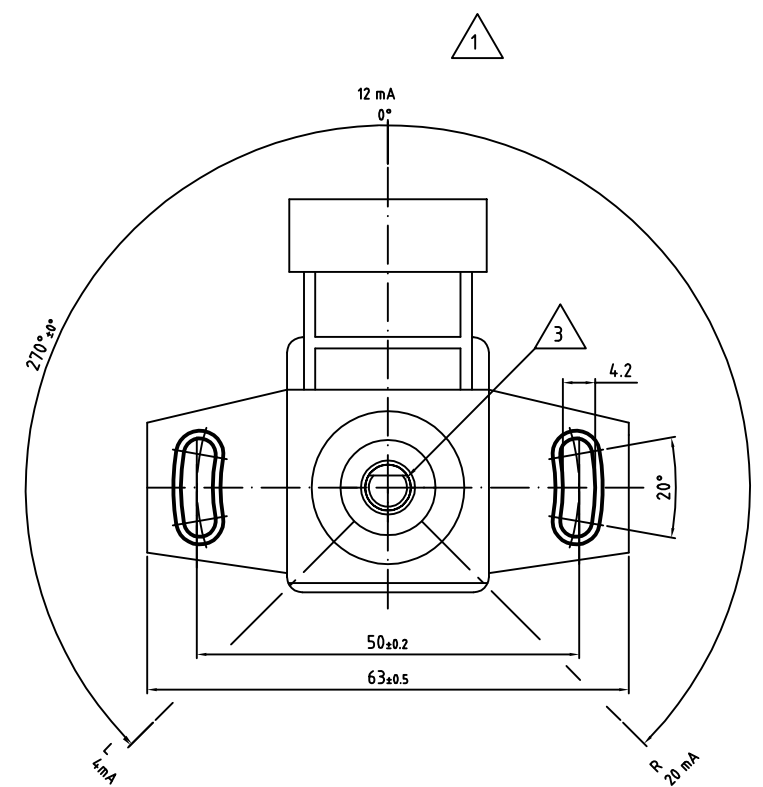
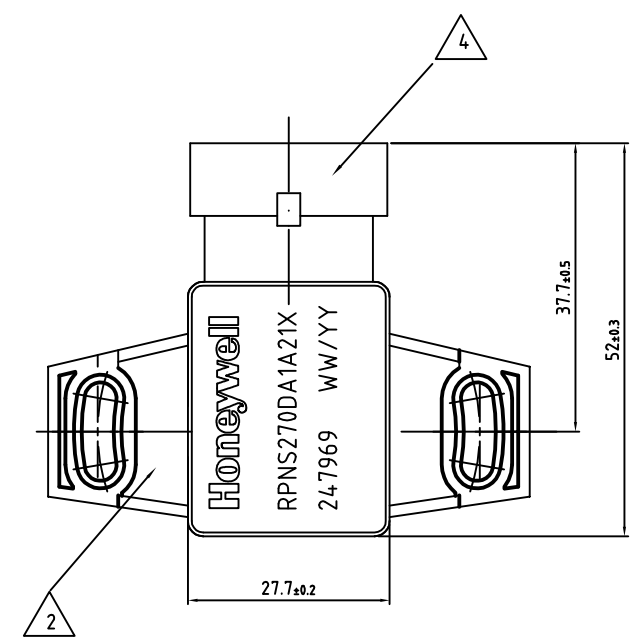


HONEYWELL  
PART NUMBER  
RPNS270DA1A21X

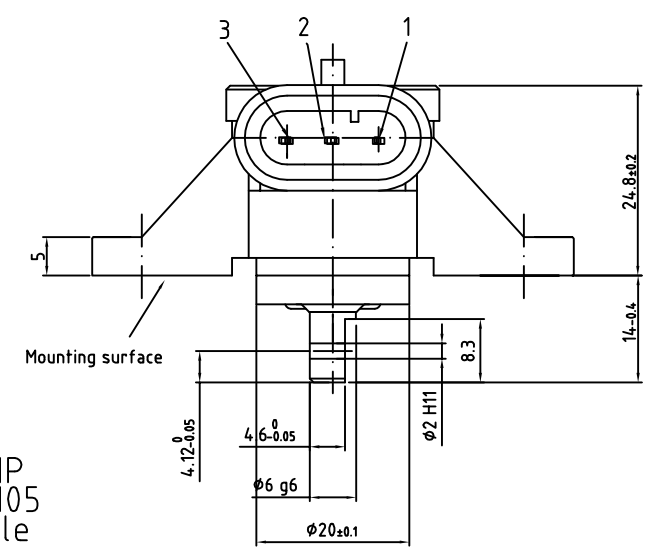
REV	CHANGE DOCUMENT	CHANGED BY	CHECK
A	0040247	VS 23JUN08	BLR

Technical Data	
<b>Function</b>	<b>Angular Sensor</b>
Sensor principle	Contact-free, Hall effect
Measuring range	270°
Mechanical end stop	No
Supply voltage	10 – 30 VDC
Current consumption max.	20 mA
<b>Output signal</b>	
Angle /°	Output signal
L (135°)	4 mA
0°	12 mA
R (135°)	20 mA
Delay of the output signal	ca. 3 ms
Reverse polarity protection	Yes
Output	24h short-circuit proof
EMC	200V/m acc. to ISO 11452-3
<b>Ambient conditions</b>	
Operating temperature:	- 40°C bis + 85°C
Temperature range (storage)	- 40°C bis + 125°C
protection class	IP67 acc. to DIN 40050
Tightening torque of the mounting screw max.	2,5 Nm ± 0,5 Nm
Accuracy	±1,6%
Hysteresis	None
Linearity	± 2°
Cycles of rotation	30 x 10 <sup>6</sup> cycles



Dimension	Tolerance
φ6	g6 -0.004 -0.012 5.99% 5.98%
φ2	H11 +0.06 2.06%

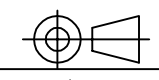
- 1 Zero point
- 2 Housing Material PA66
- 3 Shaft Material Stainless Steel
- 4 Tab Connector acc. to AMP Superseal 1.5 Series 282105 Shall mate with Receptacle Connector 282087-1



Pin configuration	
1	GND
2	Ub 10-30 VDC
3	4-20 mA

DESIGN UNITS: MM  
TOLERANCES UNLESS NOTED:  
GEOMETRICAL TOLERANCE ACCORDING TO DIN ISO 1101  
GENERAL TOLERANCES ACCORDING TO DIN 16901-130B

THIRD ANGLE PROJECTION



DRAWN	MBH	18JUN08
CHECK	JLH	18JUN08
THIS DRAWING COVERS A PROPRIETARY ITEM AND IS THE PROPERTY OF HONEYWELL. THIS DRAWING IS NOT TO BE COPIED OR USED WITHOUT THE PERMISSION OF HONEYWELL.		
INTERPRET PER ASME Y14.5M-1994 OTHER HONEYWELL ENGINEERING STANDARDS MAY APPLY		

<b>Honeywell</b>			
TITLE ANGULAR SENSOR ±135°			
SIZE	TYPE	DRAWING NAME	REV
A3	I	RPNS270DA1A21X	A