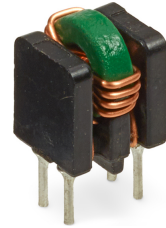
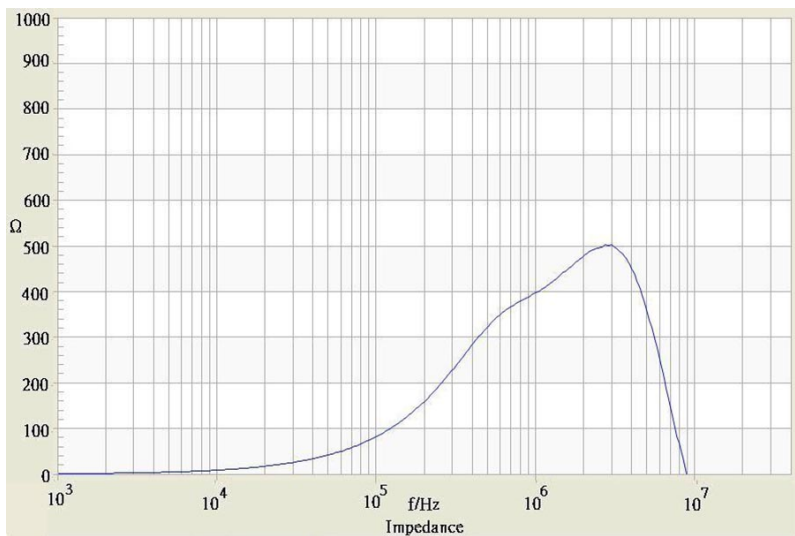


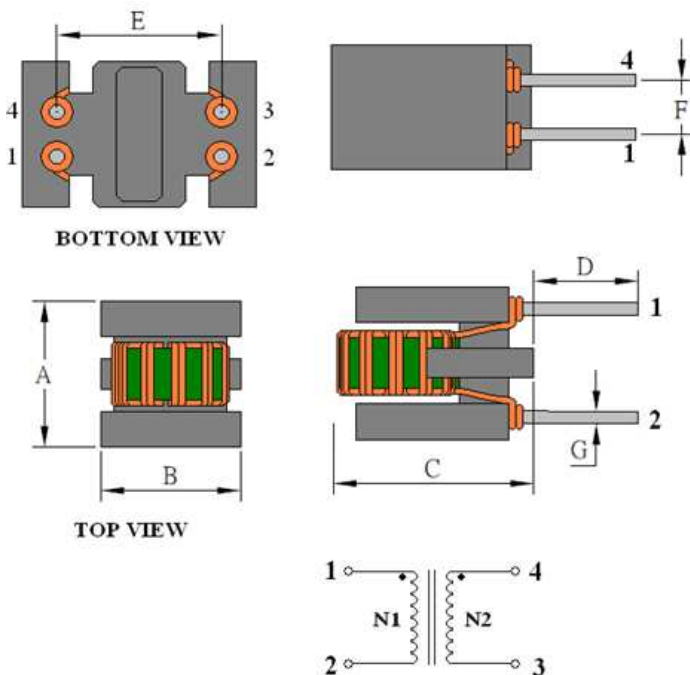
Order Code	TCK-127
Inductance (each winding)	137 $\mu\text{H} \pm 25\%$ (at 10 kHz / 50 mV)
Impedance (DCR)	24 m Ω max.
Rated Current	1.92 A max.
Rated Voltage	500 VDC max. (between windings)
Operating Temperature	-40°C to +105°C



Impedance Curve



Outline Dimensions



Dimensions [mm]

Dimension	Value
A	7.5 max.
B	8.5 max.
C	10.5 max.
D	3.5 ±1.0
E	5.08 ±0.5
F	2.54 ±0.3
G	∅ 0.6 ±0.1