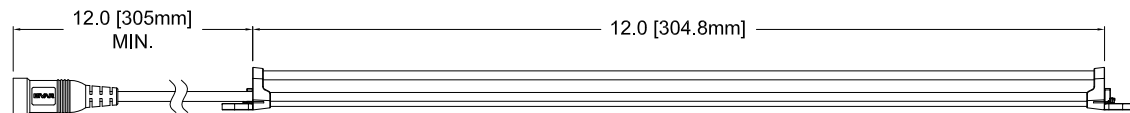
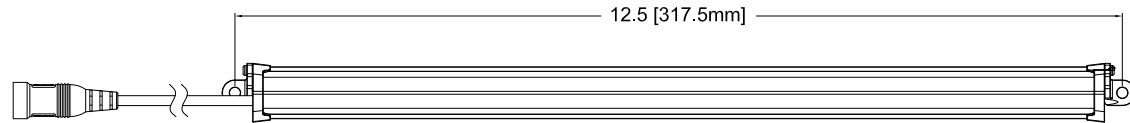
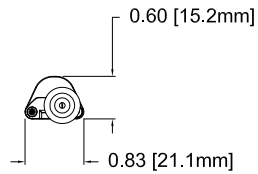
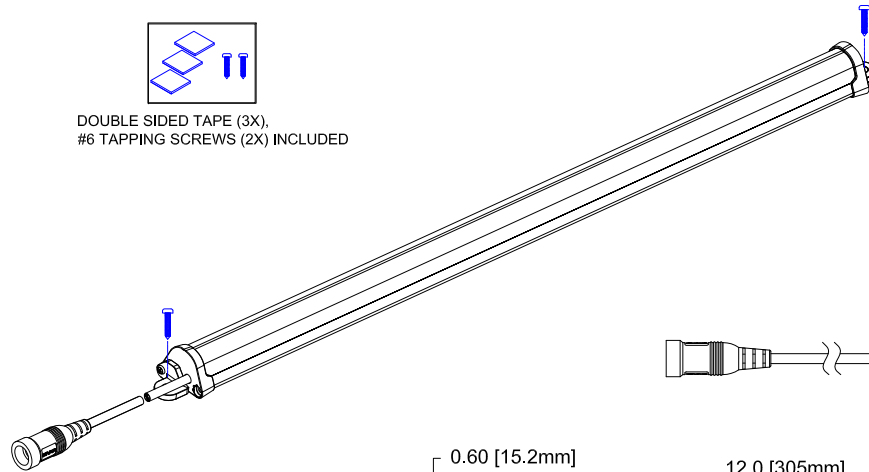


| REV. | DESCRIPTION | DATE | APPROVED |
|------|----------------------|----------|----------|
| B | Engineering Release. | 08/08/12 | M. C. |
| | | | |
| | | | |
| | | | |

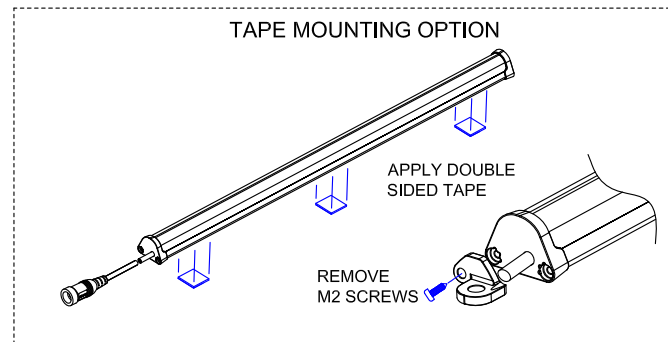


DOUBLE SIDED TAPE (3X),
#6 TAPPING SCREWS (2X) INCLUDED



NOTES

1. Power Input: 24VDC, Constant Voltage
2. Power Consumption: 2.0 Watts
3. White Color Temperature: 4500K Neutral White
4. Output Projection: 120° FWHM
5. Luminous Output: 180 Lumens
6. Housing Color: Black
7. Operating Temperature: 0C ~ +40C
8. For Use in Dry Locations Only



Mating Connector:
5.5 x 2.1 x 11mm DC Plug

| STANDARD TOLERANCE (UNLESS OTHERWISE SPECIFIED) | | BIVAR® | |
|------------------------------------------------------|--------------------------|------------------------------------------------------------|----------------------------------|
| DECIMALS | ANGULAR | 4 THOMAS, IRVINE, CA, 92618 | |
| .X ± .2 | X° ± 1° | TEL: (949) 951-8808 FAX: (949) 951-3974 | |
| .XX ± .02 | | TITLE: P3100 SERIES LIGHT, SURFACE MOUNT, NEUTRAL WHITE | |
| .XXX ± .010 | | PART NO: P3100-N-S | |
| DESIGNED: Brian Oliver | DATE: 05/29/12 | REVISION: B | CAGE CODE : 32559 SHEET # 1 OF 1 |
| CHECKED: T. Yin | DATE: 05/29/12 | CAD GENERATED DOCUMENT, DO NOT MEASURE DRAWING. | |