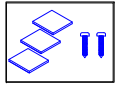
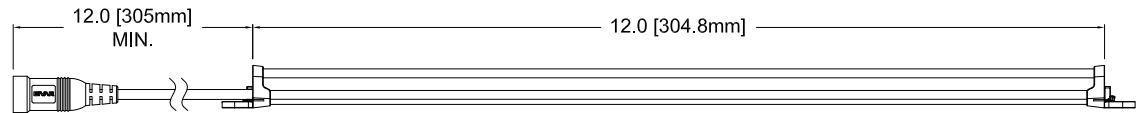
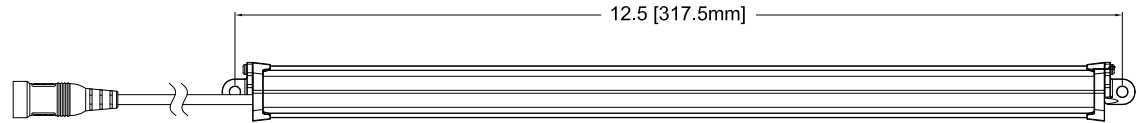
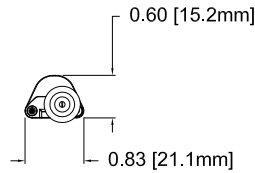
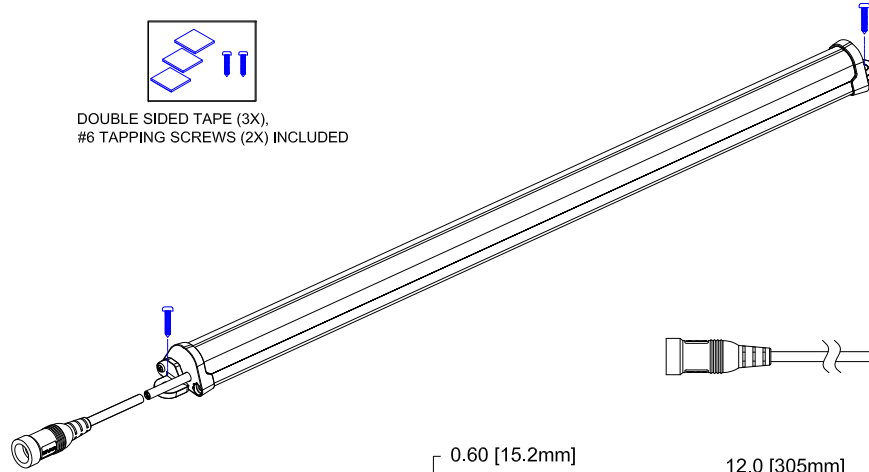


REV.	DESCRIPTION	DATE	APPROVED
B	Engineering Release.	08/08/12	M. C.

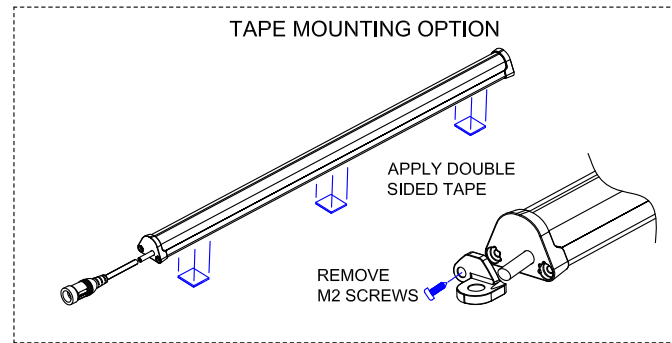


DOUBLE SIDED TAPE (3X),
#6 TAPPING SCREWS (2X) INCLUDED



NOTES

1. Power Input: 24VDC, Constant Voltage
2. Power Consumption: 2.0 Watts
3. White Color Temperature: 4500K Neutral White
4. Output Projection: 120° FWHM
5. Luminous Output: 180 Lumens
6. Housing Color: Black
7. Operating Temperature: 0C ~ +40C
8. For Use in Dry Locations Only



Mating Connector:
5.5 x 2.1 x 11mm DC Plug

STANDARD TOLERANCE (UNLESS OTHERWISE SPECIFIED)		BIVAR®	
DECIMALS	ANGULAR	4 THOMAS, IRVINE, CA, 92618	
.X ±.2	X° ± 1°	TEL: (949) 951-8808 FAX: (949) 951-3974	
.XX ±.02		TITLE: P3100 SERIES LIGHT, SURFACE MOUNT, NEUTRAL WHITE	
.XXX ±.010			
DESIGNED: Brian Oliver	DATE: 05/29/12	PART NO: P3100-N-S	REVISION: B
CHECKED: T. Yin	DATE: 05/29/12	CAGE CODE : 32559	SHEET # 1 OF 1
CAD GENERATED DOCUMENT, DO NOT MEASURE DRAWING.			