

**MICRO SWITCH**  
a Honeywell Division

FED. MFG. CODE 91929

PACKET

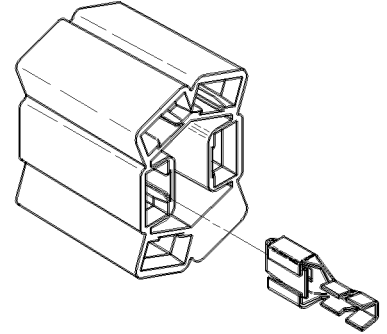
CATALOG LISTING  
19PA169-NT

CATALOG LISTING  
19PA169-NT

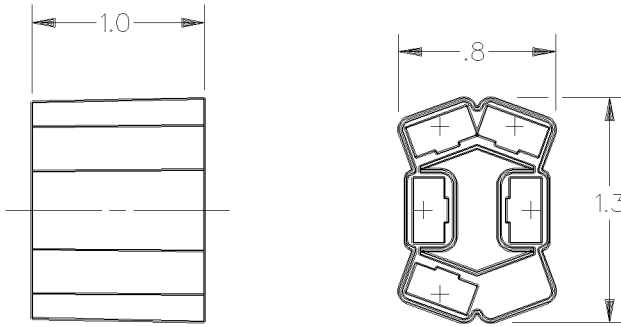
PAGE 1 OF 1

REPLACES

RELEASE NO. PR-21731



ISSUE  
1

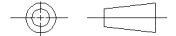


NOTE:  
1 - PACKET INCLUDES 1 PIECE PACKARD ELECTRIC #0891 1352,  
AND 5 PIECES PACKARD ELECTRIC #02962572

ANSI Y14.5M-1982 APPLIES

THIS DRAWING COVERS A PROPRIETARY ITEM AND IS THE PROPERTY OF MICRO SWITCH, A DIVISION OF HONEYWELL. THIS DRAWING IS NOT TO BE COPIED OR USED WITHOUT THE APPROVAL OF MICRO SWITCH.

THIRD ANGLE PROJECTION



CHARACTERISTICS

ELECTRICAL DATA  
CONTACT ARRANGEMENT

SCALE FULL DO NOT SCALE PRINT

**UNLESS OTHERWISE SPECIFIED TOLERANCES ARE**

ONE PLACE (.0)	±.030
TWO PLACE (.00)	±.015
THREE PLACE (.000)	±.005
ANGLES	±

WEIGHT

REVISIONS

CHECK

CHECK

CHECK

DDM/CAD

DRAWN

T S M 21 JUL 95