

THIS DRAWING IS UNPUBLISHED.

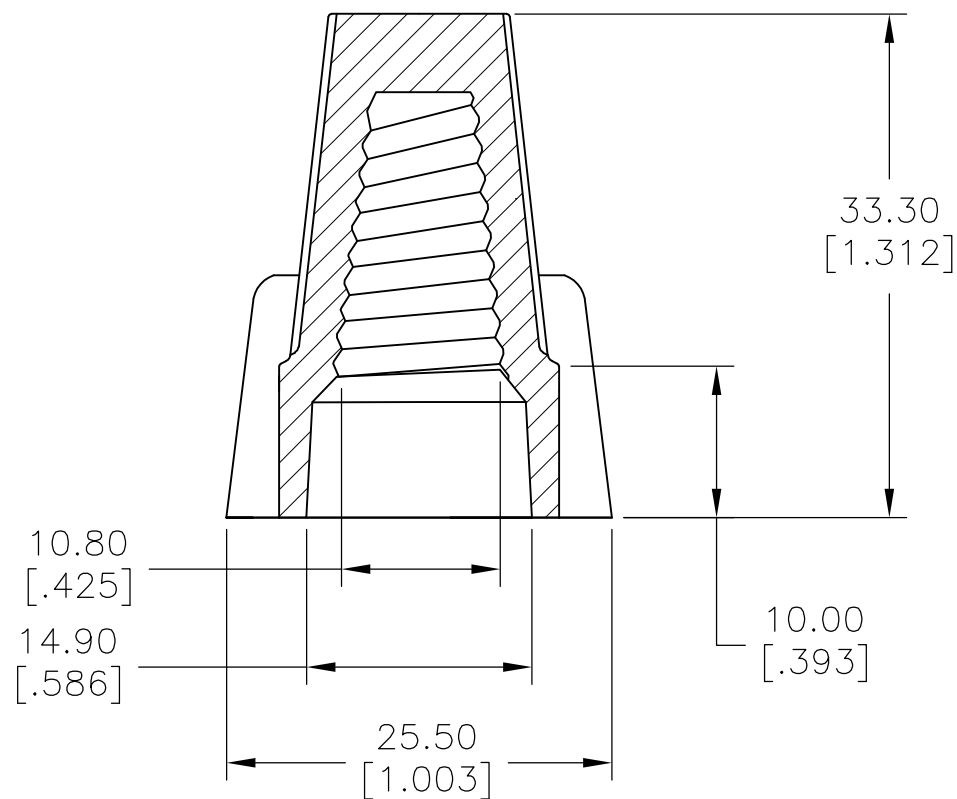
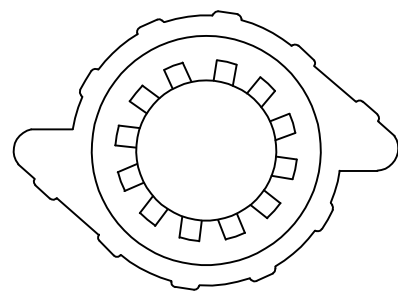
RELEASED FOR PUBLICATION

ALL RIGHTS RESERVED.

© COPYRIGHT - By -

REVISIONS

P	LTR	DESCRIPTION	DATE	DWN	APVD
	A	NEW DRAWING	14JAN2016	NK	RH



- 1 WORKING TEMPERATURE: 105° C
- 2 VOLTAGE: 600V MAX.
- 3 COLOR: GREY
- 4 WIRE RANGE: #18-#8 AWG MAX.3#10 MIN.3#14 W/1 #18
- 5 SPRING INSERT: STEEL

2299509-1 AS SHOWN

THIS DRAWING IS A CONTROLLED DOCUMENT.		DWN NAGALAKSHMI K 14JAN2016	TE Connectivity				
DIMENSIONS: mm [INCHES]		CHK HILL RYAN 14JAN2016					
TOLERANCES UNLESS OTHERWISE SPECIFIED:		APVD HILL RYAN 14JAN2016	NAME				
		PRODUCT SPEC	CPGI-WC-TG-GR-BULK				
		APPLICATION SPEC	RESTRICTED TO				
MATERIAL TOUGH THERMOPLASTIC UL 94V-2 FLAME-RETARDANT		FINISH -	WEIGHT -	SIZE A3	CAGE CODE 00779	DRAWING NO C-2299509	RESTRICTED TO -
CUSTOMER DRAWING			SCALE 2:1	SHEET 1 OF 1	REV A		