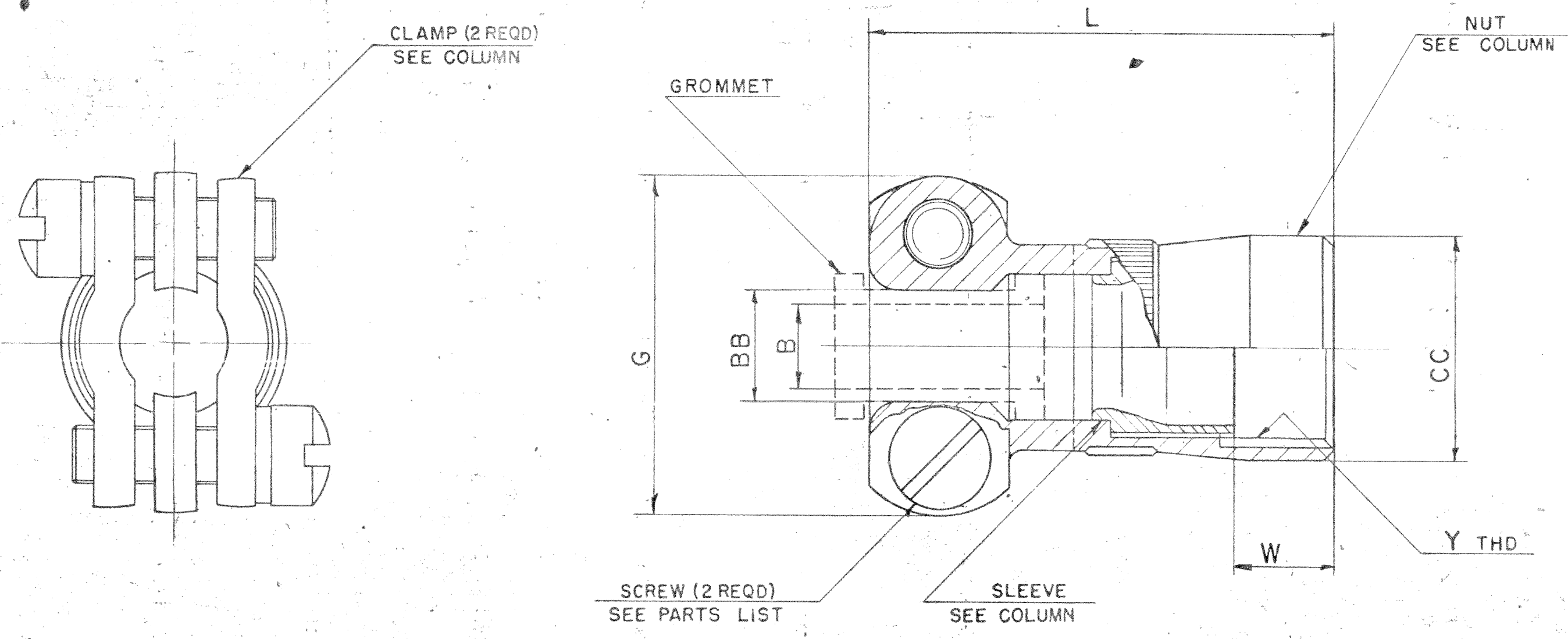


ASSEMBLY NUMBER	DETAILS			G MAX	L	BB DIA +.000 -.010	CC DIA	Y THREAD REF SIZE CLASS 2B	W +005 -010	SCREW SIZE	REL COM	ACCESSORY (NOT PART OF STANDARD ASSY) GROMMET	
	NUT	SLEEVE	CLAMP									PART NO.	B DIA
10-189010-8	10-189009-8	10-454397-8	10-130511-8	.775	1.310	.250	.540	.4375-28UNEF	.219	6-32NC	35508-87 22752-58	10-36565-101	.125
-10	-10	-10	-10	.837		.312	.665	.5625-24NEF				-122	.188
-12	-12	-12	-12	.963		.438	.793	.6875-24NEF				-143	.312
-14	-14	-14	-14	1.087		.562	.910	.8125-20UNEF				-163	.375
-16	-16	-16	-16	1.150	1.442	.624	1.037	.9375-20UNEF				-183	.500
-18	-18	-18	-18	1.400		.750	1.155	1.0625-18NEF		8-32NC		-203	.625
-20	-20	-20	-18	1.400	1.411	.750	1.281	1.1875-18NEF	.313			-203	.625
-22	-22	-22	-20	1.587		.938	1.408	1.3125-18NEF	.313			-244	.750
-24	-24	-24	-22	1.681		1.000	1.533	1.4375-18NEF	.313			-232	.800

REL	WAS	DATE	D MAN	APPD
35508-87				
35525-196	-20 (-24 CLAMP), .587 (-24), .938 (-24 BB), .244 (-24 GROMMET), .750 (-24 GROMMET)	12-17-58	BARTKOW	
35525-816	10-101152-61, -62, -63 (SCREW - H)	8-14-59	BARTKOW	
36059-1	10-101152-81, 82-83 (SCREW - 10-12)	12-2-59	RICKS	
36247-4	REV TITLE, CHG PICT.	1-20-60	RICKS	
38536-358	ADD. & REL-XX7 FINISH	8-23-62		
38524-1428	ADD. & REL-XXO FINISH	8-29-62		
39525-440	WAS.5625-28 NEF (10 SIZE) (THD COL)	3-15-63	LODON	
43524-279	ADD & REL-XX8 FINISH	11-27-64	MAY	
43525-997	10-36565-244 (GROMMET), .750 (B DIA) (-24)	6-25-65		
47524-1035	ADD & REL-XX9	4-18-67		
53834-3	REV SLEEVE COL	5-25-72		
59800-181	(MFG) ADD & REL-XXG	5-8-78	LONGWELL	



10-189010

I. TO COMPLETE ASSEMBLY NO. AND DETAIL NO. ADD APPLICABLE LAST DIGIT SUFFIX NO. FOR DESIRED FINISH!

- CHROMATE TREAT
- BRIGHT CADMIUM PLATE
- BLACK ANODIZE
- CADMIUM PLATE OLIVE DRAB
- GRAY ANODIZE
- ANODIC COATING
- NICKEL CADMIUM
- BRIGHT NICKEL
- OLIVE DRAB CADMIUM PLATE NICKEL-BASE
- NICKEL ALLOY PLATE

- SUFFIX-XX0
- SUFFIX-XX1
- SUFFIX-XX2
- SUFFIX-XX3
- SUFFIX-XX4
- SUFFIX-XX5
- SUFFIX-XX7
- SUFFIX-XX8
- SUFFIX-XX9
- SUFFIX-XXG

RELEASE
38524-1428
35508-87
38536-358
43524-279
47524-1035

USE OF THIS DOCUMENT IS UNLIMITED DOCUMENTS REFERENCED HEREON CONTAIN LIMITED RIGHTS DATA

MATERIAL SPEC.	PROCESS SPEC.	SCINTILLA MAGNETO DIVISION BENDIX AVIATION CORPORATION SIDNEY, N. Y., U.S.A.				TOLERANCES UNLESS OTHERWISE SPECIFIED	
HEAT TREAT SPEC.	FINISH SPEC.	NAME CLAMP ASSEMBLY CABLE STRAIN RELIEF ELECTRICAL CONNECTOR, TYPE CE ()				REVISIONS	
		QUAN.	CHECKED	BY	DATE	NEXT ASSEMBLY	
		MANLEY	HORTON		10-24-58	72-191000/24 & OTHERS	
		APPROVED				AND IS NOT INTENDED FOR	
		DATE				PARTS LIST	
		11-21-58				SEE PARTS LIST	
		11-21-58				10-101971	
		11-21-58				10-189010	

NOTES: REF SYMBOL