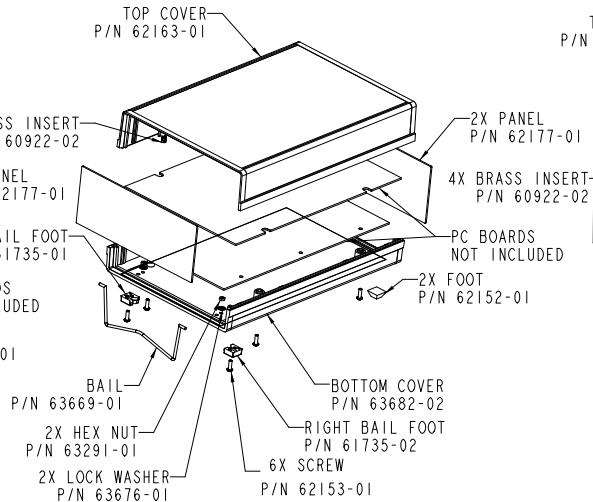
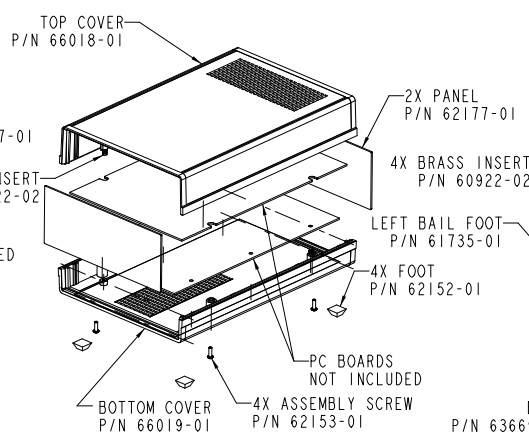


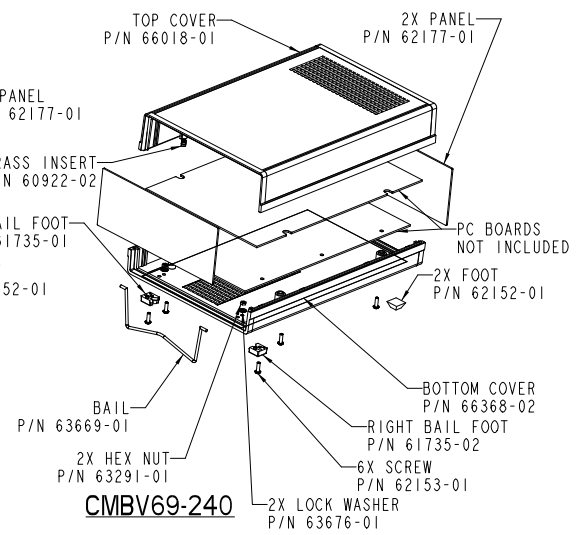
CM69-240



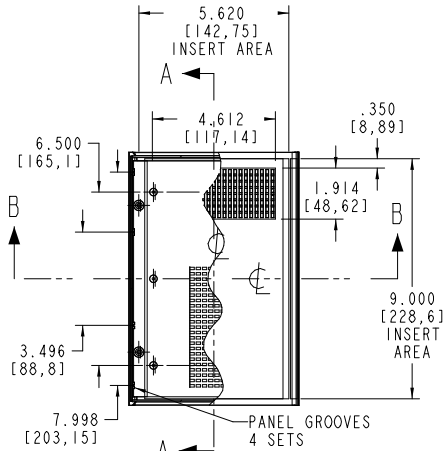
CMB69-240



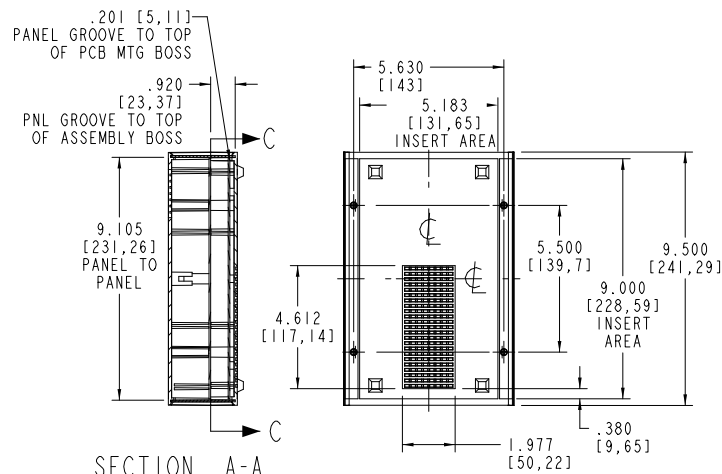
CMV69-240



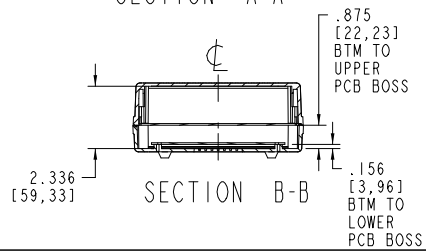
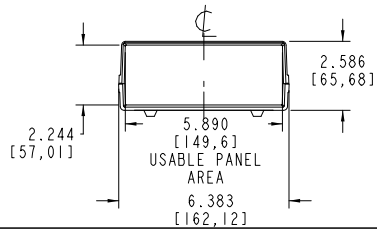
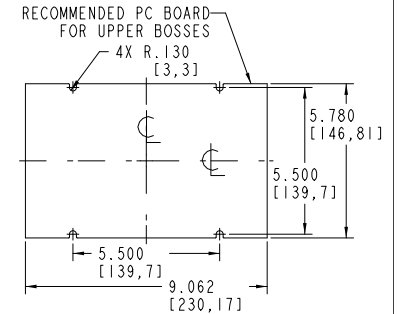
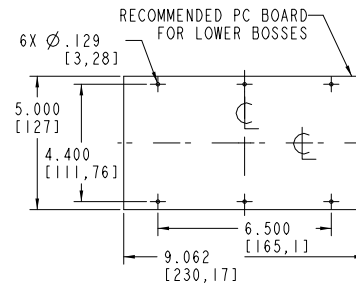
CMBV69-240



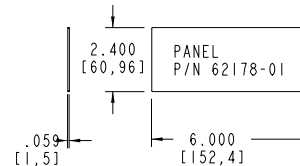
SECTION C-C



SECTION A-A



SECTION B-B



PACNTEC®
1-610-361-4200

CM69-240, CMB69-240
CMV69-240, CMBV69-240

VISIT **PACNTEC®**
ON THE WORLD WIDE WEB
www.pactecenclosures.com

COLOR / MATERIAL CODE	
COLOR	94HB 94VO
BLACK	000 028
P.C.BONE	039 060

DRAWING NUMBER	REV
79395	D