

M

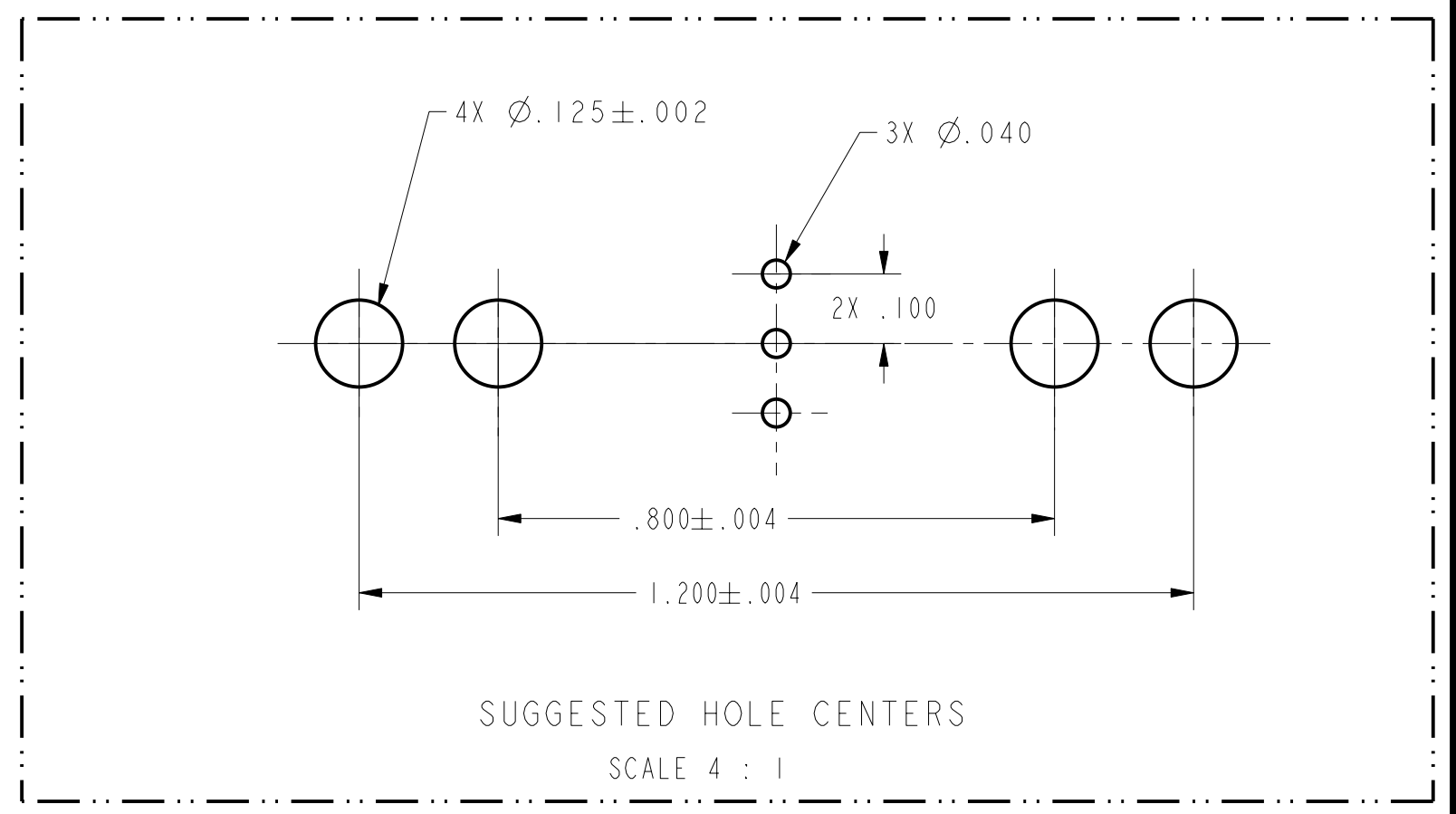
CSLA2DJI

CHARACTERISTICS

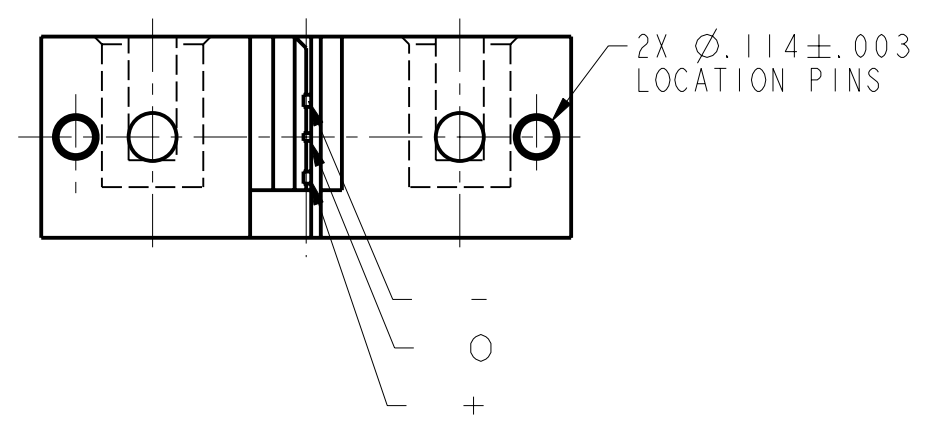
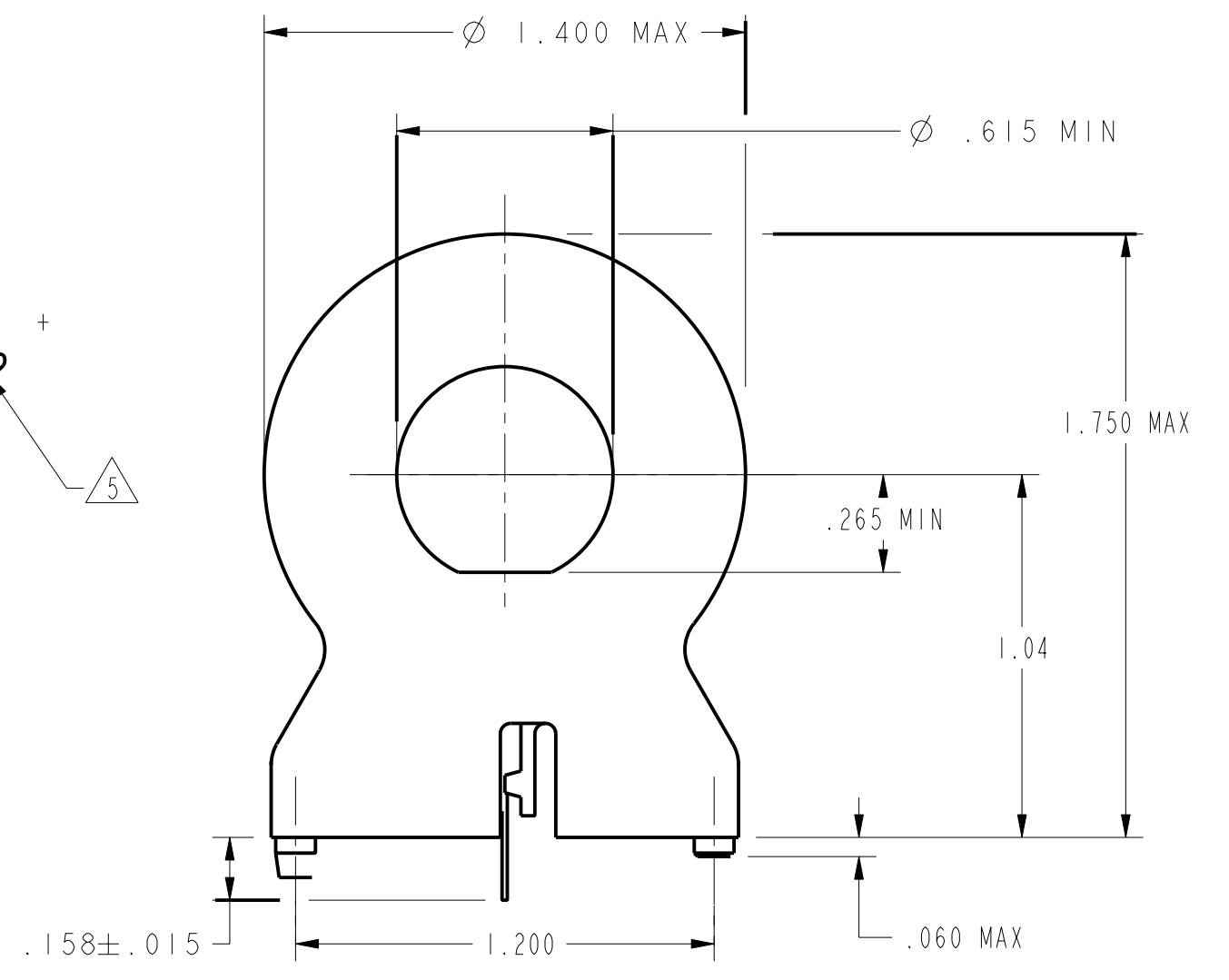
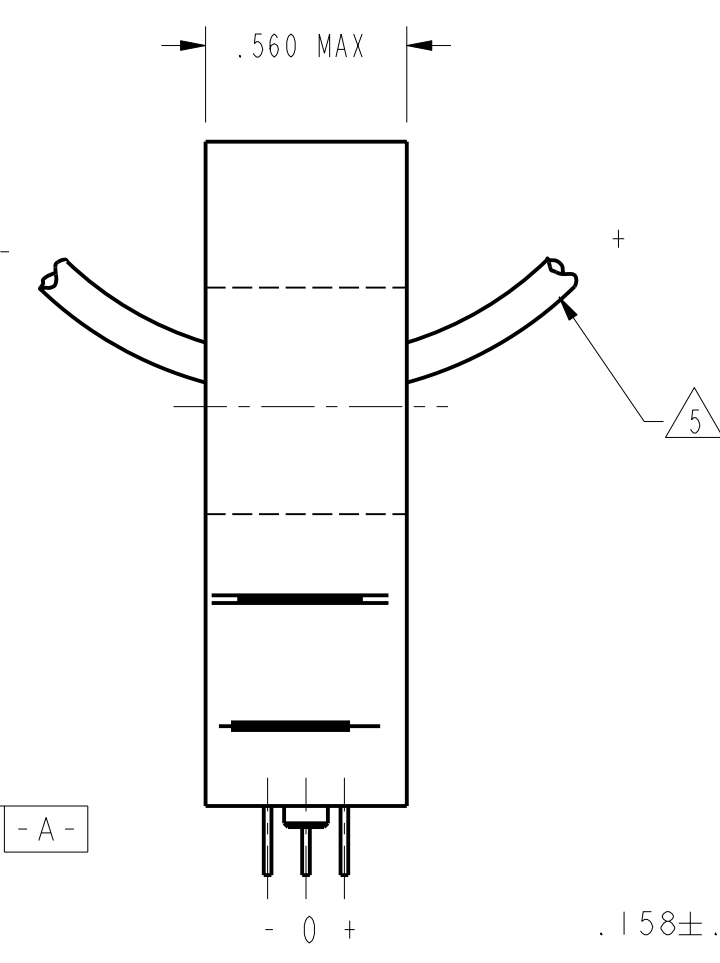
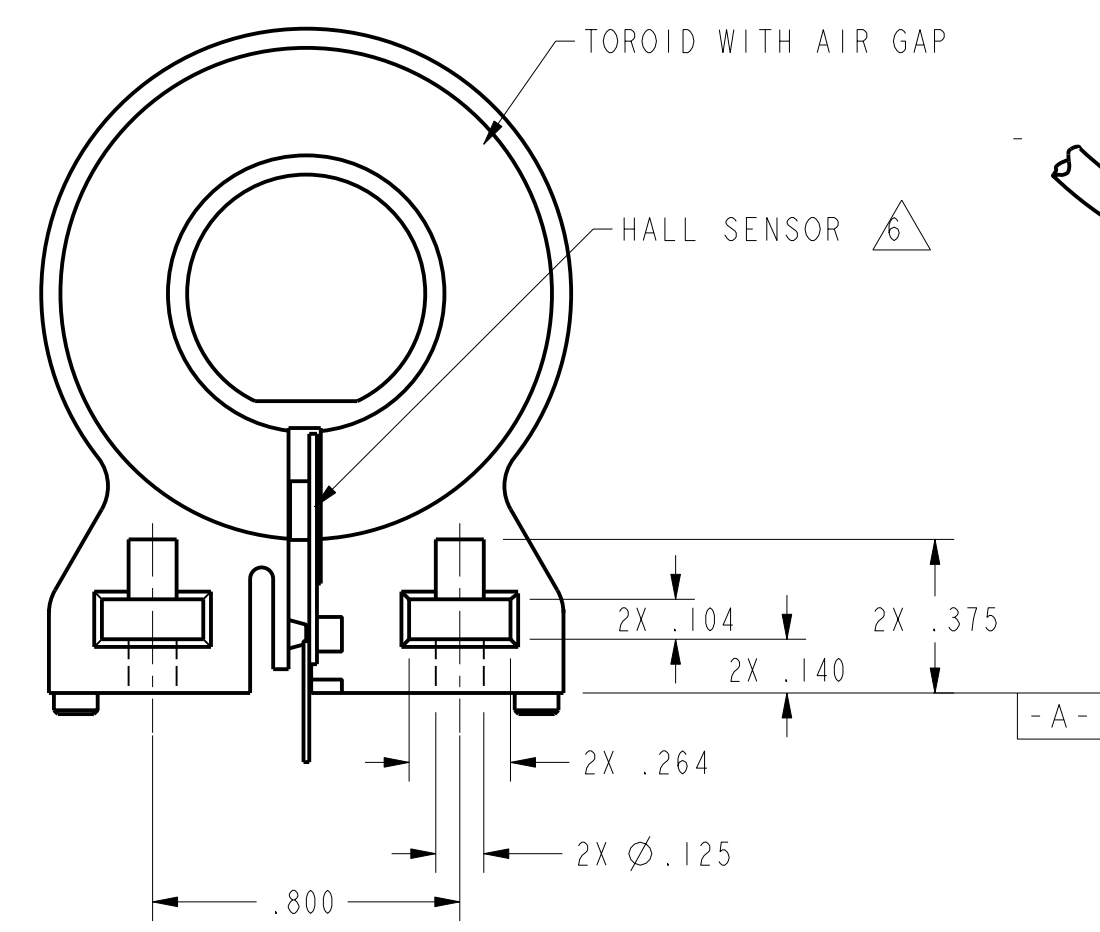
PARAMETER	MIN	TYP	MAX	UNITS	CONDITIONS/REMARKS
SUPPLY VOLTAGE	6.0	8.0	12.0	VOLTS	-25°C TO 85°C
SUPPLY CURRENT		13	20	mA	MAX @ -25°C, TYP @ 25°C, V _s = 8.0V, EXCLUDES LOAD
OUTPUT CURRENT	1			mA	SINKING OR SOURCING
OUTPUT VOLTAGE SWING	(-V)+1.25		(+V)-1.25	VOLTS	MAX CLAMPED @ 9.0 VOLTS MIN
SENSITIVITY	8.1		9.2	mV/NI	@ V _s = 8.0 VOLTS & 25°C / 5
LINEARITY		.5	1.0	% OF SPAN	DEV FROM STR LINE FROM -1 MAX TO +1 MAX / 1
V _{out} @ 0NI	.5(V _s)-2%		.5(V _s)+2%	VOLTS	25°C
TEMP ERROR - NULL	-.02		+.02	%/°C	-25°C TO 85°C
TEMP ERROR - GAIN	-.06		+.01	5/°C	-25°C TO 85°C

NOTES

- 1 SUGGESTED I MAX FOR LINEAR OPERATION IS 225 AMPS
- 2 - RECOMMENDED MOUNTING IS 4-40 SQUARE NUT @ .375 LONG 4-40 SCREW
- 3 - CONVENTIONAL CURRENT FLOW IN DIRECTION INDICATED WILL CAUSE AN INCREASE IN OUTPUT VOLTAGE
- 4 - THE DEVICE CANNOT BE DAMAGED BY MAGNETIC OVERDRIVE
- 5 AT V_s OTHER THAN 8.0 VOLTS, SENSITIVITY = (NUMBER SHOWN) X V_s/8
- 6 BACKSIDE OF HALL SENSOR IS ELECTRONICALLY CONNECTED TO THE "-" TERMINAL
- 7 - SENSOR COATED WITH HUMISEAL
- 8 - CORE VISUALLY CENTERED ABOUT SENSOR



P.T.C./CAD [20] DRAWN [24MAY00] CHECK [SAV] 24MAY00
 TSM 24MAY00 CHECK [SAV] 24MAY00
 REVISIONS
 A 200456 TSM 24MAY00
 ISSUE 2
 DRAWING NUMBER
 M
 CSLA2DJI
 PAGE 1 OF 1
 RELEASE NO. PR-22035
 REPLACES



THIS DRAWING COVERS A PROPRIETARY ITEM AND IS THE PROPERTY OF MICRO SWITCH, A DIVISION OF HONEYWELL. THIS DRAWING IS NOT TO BE COPIED OR USED WITHOUT THE APPROVAL OF MICRO SWITCH.

MICRO SWITCH
a Honeywell Division

CURRENT SENSOR

CSLA2DJI

CATALOG LISTING

ANSI Y14.5M-1982 APPLIES

FED. MFG. CODE 91929

THIRD ANGLE PROJECTION

SCALE 2 : 1

DO NOT SCALE PRINT

UNLESS OTHERWISE SPECIFIED TOLERANCES ARE

ONE PLACE	(.0)	±.030
TWO PLACES	(.00)	±.015
THREE PLACES	(.000)	±.005
ANGLES		±
WEIGHT		