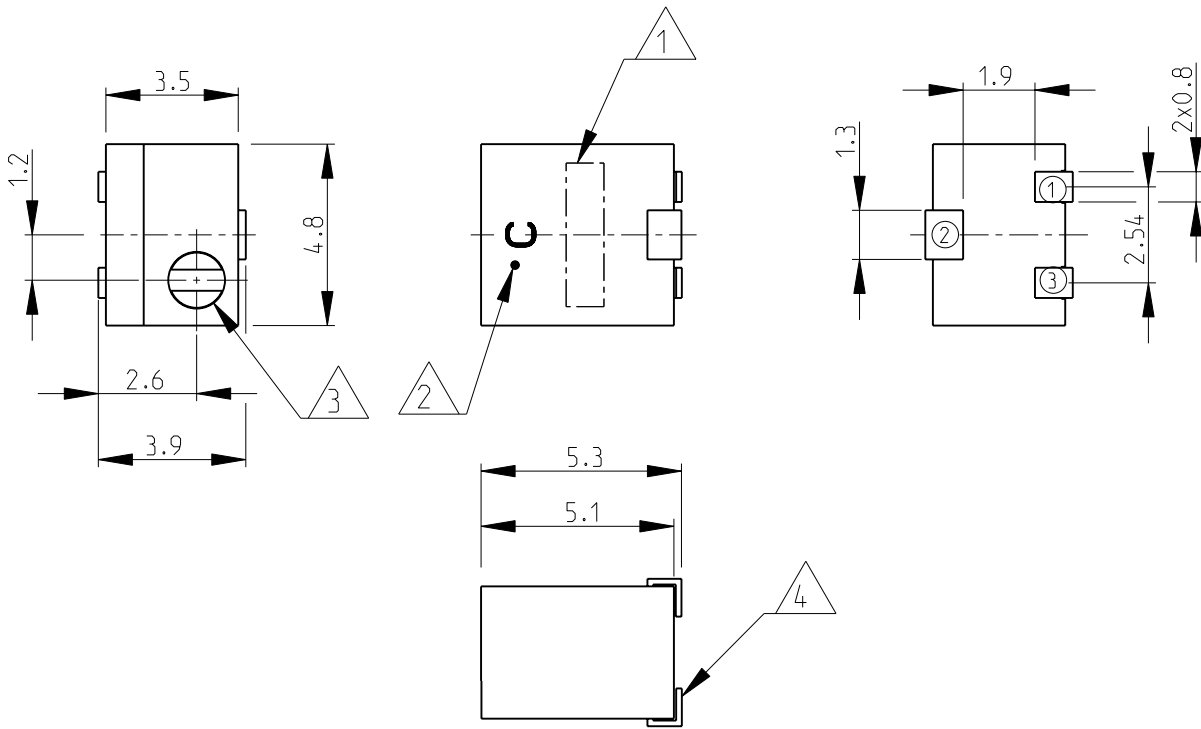


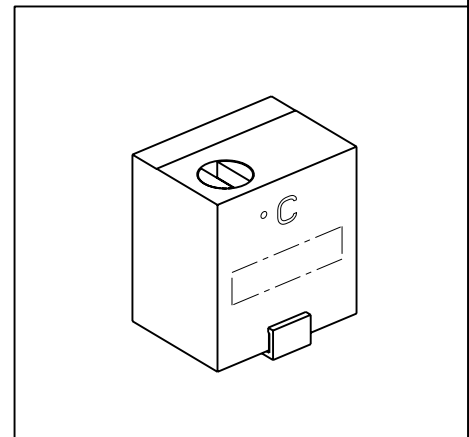
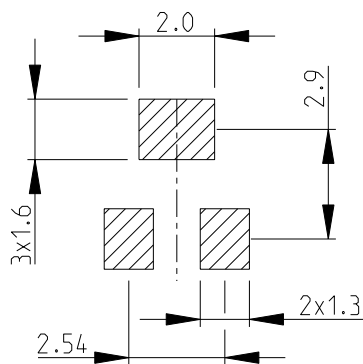
| | | | | | | | |
|-----|------|-----------|-----|-------------|-----------|-----|------|
| LOC | DIST | REVISIONS | | | | | |
| E | B | P | LTR | DESCRIPTION | DATE | DWN | APVD |
| | | | BA | NEW RELEASE | 01-DEC-08 | SM | St.P |



- ① RESISTANCE/DATE CODE
- ② LEAD-FREE IDENTIFICATION MARK
- ③ TOP ADJUSTMENT SLOT:
Ø1.5; WIDTH- 0.56; DEPTH- 0.5
- ④ THICKNESS- 0.15mm

5 FOR FURTHER INFORMATION SEE DATA SHEET FOR 3240 SERIES-SMD PROFESSIONAL TRIMMERS

RoHS Compliant



2008

RELEASED FOR PUBLICATION

THIS DRAWING IS UNPUBLISHED.

BY TYCO ELECTRONICS CORPORATION. ALL RIGHTS RESERVED.

| | | | | | | |
|--|------------------|-----------|--|--------------|-------------|---------------|
| DIMENSIONS: mm | DWN | 01-DEC-08 | MATERIAL | - | FINISH | - |
| | SUBHASH.M | | | | | |
| TOLERANCES UNLESS OTHERWISE SPECIFIED: | CHK | 01-DEC-08 | Tyco Electronics Corporation Dorcan, Swindon, SN3 5HH | | | |
| | PRAKASH.S | | | | | |
| 0 PLC ±0.2 | APVD | 01-DEC-08 | NAME SMD PROFESSIONAL TRIMMERS SERIES 3240W | | | |
| 1 PLC ±0.1 | STEPHEN.P | | | | | |
| 2 PLC ±- | PRODUCT SPEC | - | SIZE | CAGE CODE | DRAWING NO | RESTRICTED TO |
| 3 PLC ±- | APPLICATION SPEC | - | A 4 | 00779 | © = 1623924 | - |
| 4 PLC ±- | | | WEIGHT | 0.2g Approx. | | |
| ANGLES ±5° | | | CUSTOMER DRAWING | | SCALE | 5:1 |
| | | | | SHEET | 1 OF 1 | REV |
| | | | | | | BA |