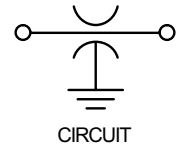
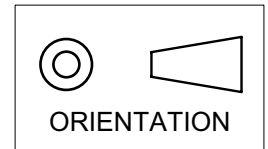


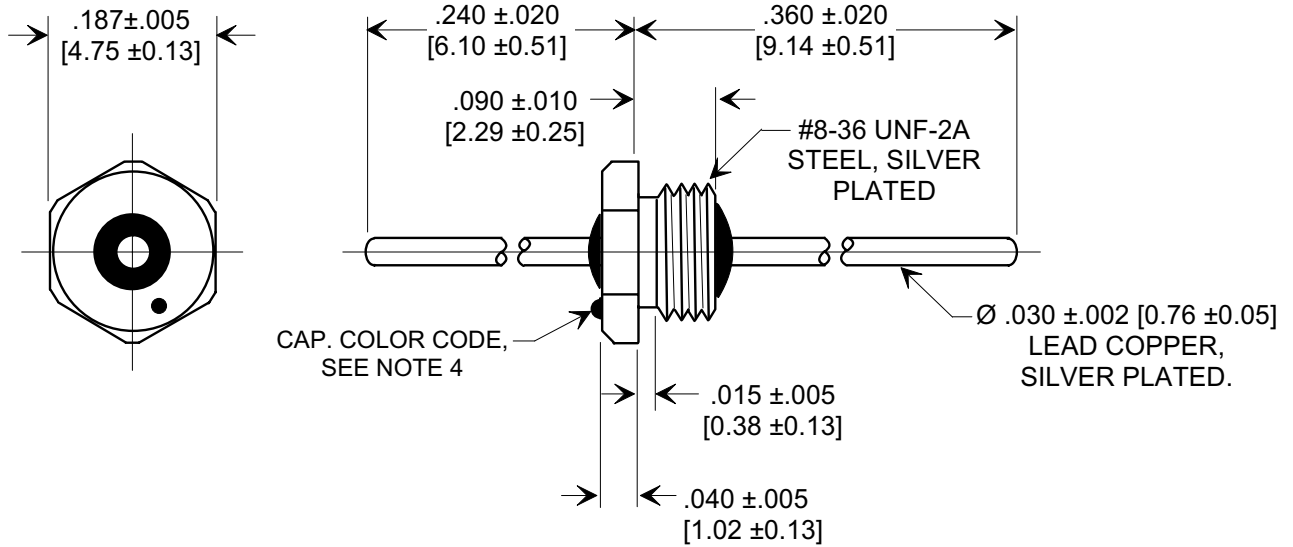
MARKETING SALES DRAWING

This drawing is the property of Tusonix, Inc., and may not be used, reproduced, published or disclosed to others without expressed authorization by Tusonix Inc.

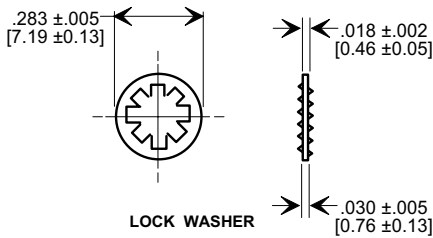
DIMENSIONS IN INCHES - DO NOT SCALE THIS DRAWING
DIMENSIONS IN METRIC - []



Electrical Testing
per Tusonix standard
test plans and Mil-Std-202
Test Methods.



MOUNTING HARDWARE



NOTES:

1. OPERATING TEMPERATURE RANGE: -55°C to +125°C.
2. TUSONIX STANDARD PART NUMBER: 4401-003.
TUSONIX RoHS COMPLIANT PART NUMBER: 4401-003 LF.
CUSTOMER MUST SPECIFY STANDARD OR RoHS PART NUMBER WHEN ORDERING.
3. SILVER PLATED MOUNTING LOCK WASHER.
4. PART MARKING: STANDARD PART: CAP COLOR CODE DOT(S).
RoHS PART: CAP COLOR CODE WITH ADDITIONAL GREEN DOT IDENTIFIER.
5. MAX. MOUNTING TORQUE 1 lb - in. [0.113 N-m].
6. MAX. RECOMMENDED SOLDERING TEMPERATURE: 260°C.

CAP. (pF)	TOL.	DC WORKING VOLTAGE		I.R. MIN. @ 100 (VDC.)	DWV (VDC)	DC CURRENT (AMPS)	MIN. NO LOAD INSERTION LOSS (dB) @ 25° C PER MIL-STD-220				COLOR CODE		
		85° C	125° C				10 MHz	100 MHz	1 GHz	10 GHz			
2700	GMV	150	100	10 G Ω	250	10	10	25	40	50	RED		
REVISION RECORD Original Release C.O. 5280 RDN. TO COMP. FMT. & DIM. .018 WAS .015. S.M. 10-10-95 951003-7 4401 1 GHz WAS 60. ADDED ORIENTATION. S.M. 06-25-01 20010622-8-03 REVISED DWG. DRAWING MADE FOR EACH VAR. S.M. 11-20-02 20021113-2-04 REVISED NOTES. S.M. 08-26-05 20050826-1-03 REVISED NOTE 5. S.M. 02-28-06 20060202-3-05						--TOLERANCES-- Unless Otherwise Specified DECIMAL ± NOTED ANGLES ±		Title BUSHING STYLE EMI FILTER Drawn S.M. 10-10-95 Approved A.D. 06-07-90				TUSONIX TUCSON, ARIZONA	A 4401-003

X-2015 Rev-0