

Main

Accessory / separate part category	Mounting and fixing accessories
Accessory / separate part type	2" fixing collar

Complementary

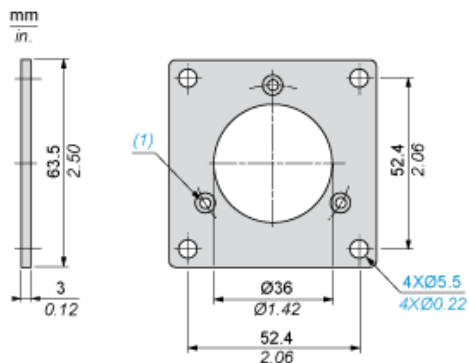
Accessory / separate part destination	Ø 58 mm encoder with solid shaft
Product compatibility	XCC1510 XCC2510 XCC3510
Product weight	0.13 lb(US) (0.06 kg)

Environment

Offer Sustainability

Not Green Premium product	Not Green Premium product
Reference not containing SVHC above the threshold	Reference not containing SVHC above the threshold
WARNING: This product can expose you to chemicals including:	WARNING: This product can expose you to chemicals including:
Diisononyl phthalate (DINP), which is known to the State of California to cause cancer, and	Diisononyl phthalate (DINP), which is known to the State of California to cause cancer, and
Di-isodecyl phthalate (DIDP), which is known to the State of California to cause birth defects or other reproductive harm.	Di-isodecyl phthalate (DIDP), which is known to the State of California to cause birth defects or other reproductive harm.
For more information go to www.p65warnings.ca.gov	For more information go to www.p65warnings.ca.gov

Dimensions



(1) 3 holes M3.2 at 120° on Ø 48 mm