

THIS DRAWING IS UNPUBLISHED.

RELEASED FOR PUBLICATION

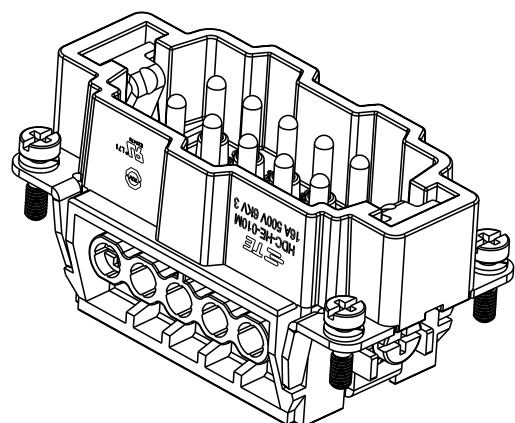
20

© COPYRIGHT 20 BY -

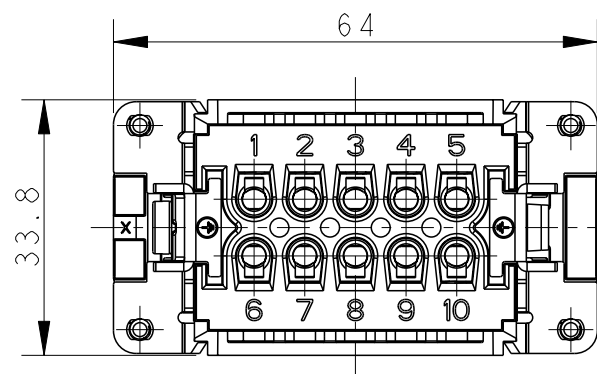
ALL RIGHTS RESERVED.

REVISIONS

P	LTR	DESCRIPTION	DATE	DWN	APVD
A		INITIAL RELEASE	06APR2015	GY	CW
B		ECR-15-013759	27SEP2015	DW	CW
B1		ECR-16-011988	25AUG2016	YC	CW
B2		ECR-18-017123	10DEC2018	KW	CW



TYPE 1, T2040102101-000, WITH LOGO
 类型 1, T2040102101-000, 带LOGO



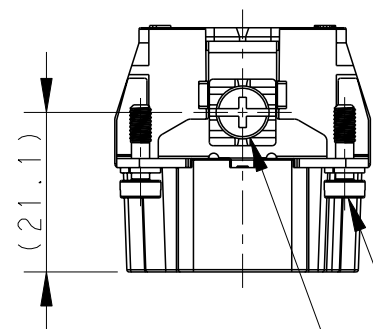
10X M3 SCREW, RECOMMENDED
 TIGHTENING TORQUE 0.5Nm
 10X M3螺丝, 推荐锁紧力矩0.5Nm

NOTES:

1. TECHNICAL CHARACTERISTICS:
 INSULATION MATERIAL: PC
 RATED VOLTAGE: 500V
 RATED CURRENT: 16A
 INSULATION RESISTANCE: $\geq 400M\Omega$
 RATED IMPULSE VOLTAGE: 6KV
 POLLUTION DEGREE: 3
 FLAMMABILITY: UL94V-0
 MATING CYCLES: 500 CYCLES
 WIRE RANGE: $0.5mm^2 \sim 2.5mm^2$ (AWG20-AWG14)
 CONTACT TYPE: SCREW CLAMP (M3)

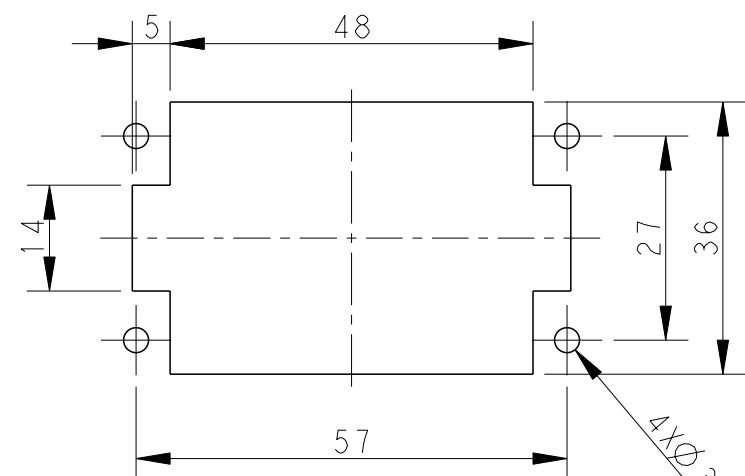
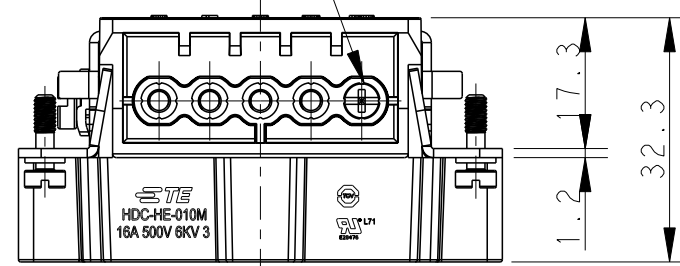
注释:

1. 技术参数:
 绝缘材料: PC
 额定电压: 500V
 额定电流: 16A
 绝缘电阻: $\geq 400M\Omega$
 脉冲电压: 6KV
 污染等级: 3
 阻燃等级: UL94V-0
 插拔次数: 500 次
 接线范围: $0.5mm^2 \sim 2.5mm^2$ (AWG20-AWG14)
 接线类型: 螺丝压接 (M3)

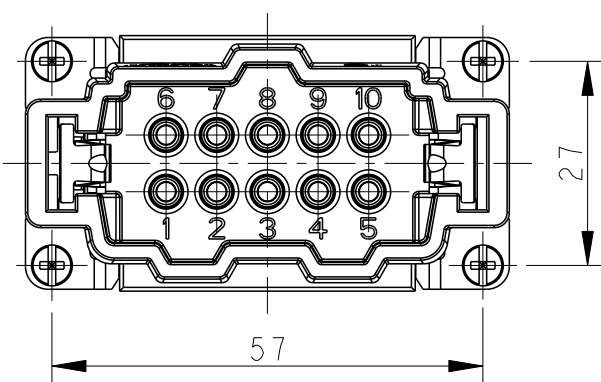


4X M3 SCREW, RECOMMENDED
 TIGHTENING TORQUE 0.5Nm
 4X M3螺丝, 推荐锁紧力矩0.5Nm

M4 SCREW, RECOMMENDED
 TIGHTENING TORQUE 1.2Nm
 M4螺丝, 推荐锁紧力矩1.2Nm



PANEL CUT FOR INSERTS FOR USE
 WITHOUT HOODS/ HOUSINGS
 不使用防护外壳时芯件的安装开孔图



THIS DRAWING IS A CONTROLLED DOCUMENT.

DIMENSIONS:	TOLERANCES UNLESS OTHERWISE SPECIFIED:
-	0 PLC ±-
	1 PLC ±-
	2 PLC ±-
	3 PLC ±-
	4 PLC ±-
	ANGLES ±-
MATERIAL	FINISH
-	-
-	-

DWN	GINO YAO	06APR2015
CHK	CHRIS WANG	06APR2015
APVD	XIANG XU	06APR2015
PRODUCT SPEC	108-137044	
APPLICATION SPEC	114-137044	
WEIGHT	-	
CUSTOMER DRAWING		



NAME		HE-010-M	
SIZE	CAGE CODE	DRAWING NO	RESTRICTED TO
A3	00779	C-T2040102101000	-
SCALE		SHEET	REV
1:1		1 OF 2	B2

THIS DRAWING IS UNPUBLISHED.

RELEASED FOR PUBLICATION

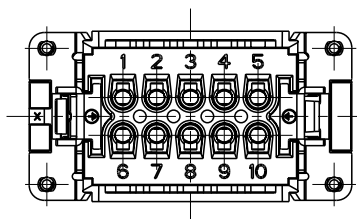
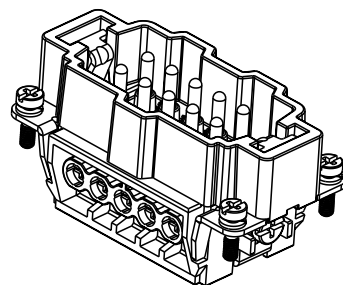
20

© COPYRIGHT 20 BY -

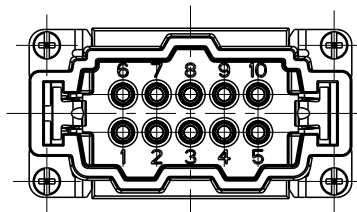
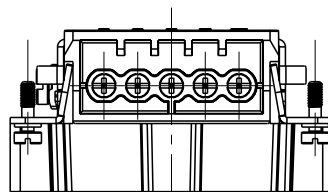
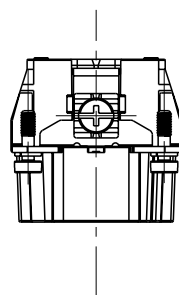
ALL RIGHTS RESERVED.

REVISIONS

P	LTR	DESCRIPTION	DATE	DWN	APVD
-	-	SEE SHEET 1	-	-	-

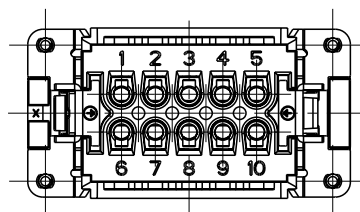
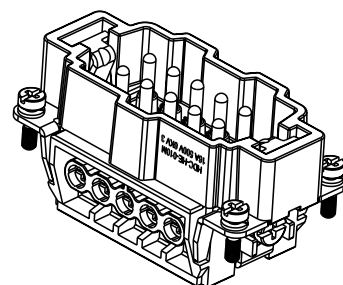


TYPE 2, T2040102101-001, WITHOUT LASER SIDE MARK
 类型 2, T2040102101-001, 不带侧面激光标识

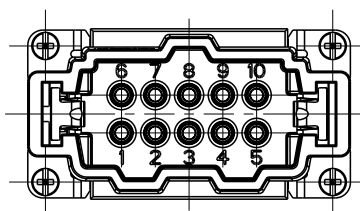
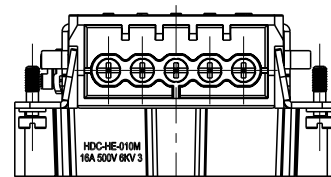
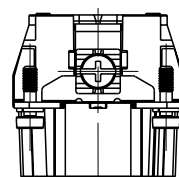


NOTE:
 ALL SPEC REFER TO TYPE 1

注释:
 所有产品规范参照 TYPE 1



TYPE 3, T2049102101-000, LASER WITHOUT LOGO
 类型 3, T2049102101-000, 激光标识不带 LOGO



T2040102101-000	HE-010-M	HE-010 MALE INSERT HE-010 公插	TYPE 1
T2040102101-001	HE-010-M	HE-010 MALE INSERT, WITHOUT LASER SIDE MARK HE-010 公插, 无激光侧面标识	TYPE 2
T2049102101-000	HE-010-M	HE-010 MALE INSERT, WITHOUT LOGO HE-010 公插, 无LOGO	TYPE 3
PART NUMBER 料号	PART DESCRIPTION 描述		TYPE 类型

THIS DRAWING IS A CONTROLLED DOCUMENT.

DIMENSIONS:	TOLERANCES UNLESS OTHERWISE SPECIFIED:
mm	0 PLC ±-
	1 PLC ±-
	2 PLC ±-
	3 PLC ±-
	4 PLC ±-
	ANGLES ±-
MATERIAL	FINISH
-	-
-	-

DWN	GINO YAO	06APR2015
CHK	CHRIS WANG	06APR2015
APVD	XIANG XU	06APR2015
PRODUCT SPEC	108-137044	
APPLICATION SPEC	114-137044	
WEIGHT	-	
CUSTOMER DRAWING		

		NAME		HE-010-M
		SIZE	CAGE CODE	
DRAWING NO		RESTRICTED TO		-
A300779		C-T2040102101000		
SCALE	SHEET	OF	REV	
2:3	2	2	B2	