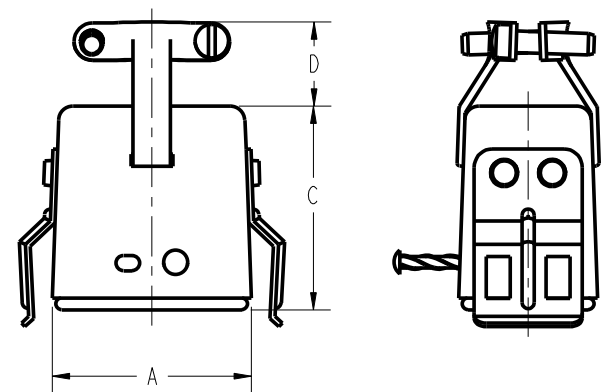
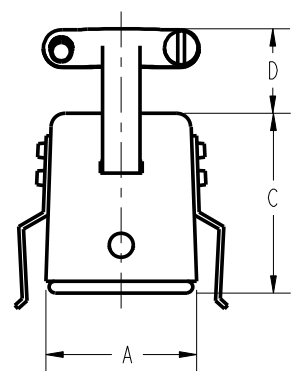
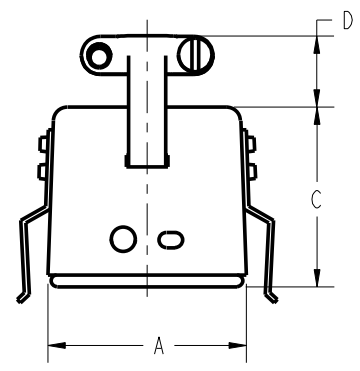
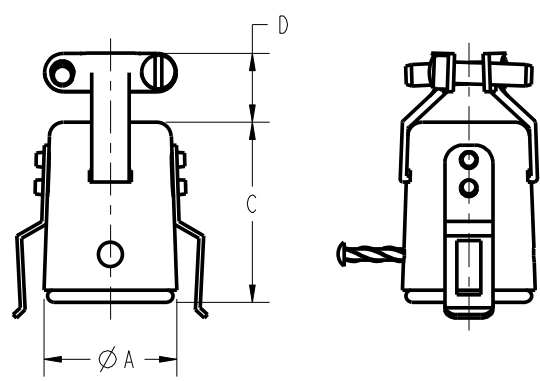
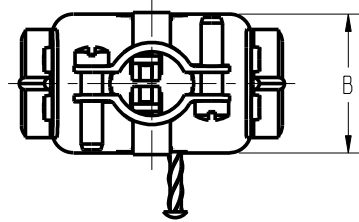
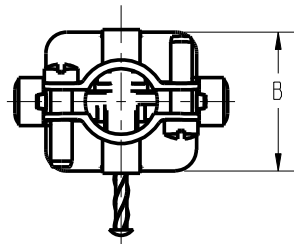
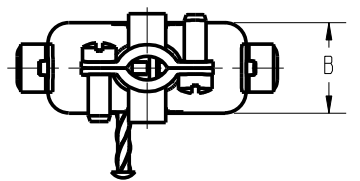
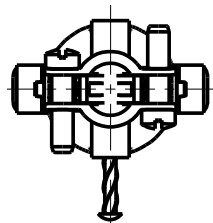


DRAWING REVISIONS			
REV	DOCUMENT	APP	DATE
1	DO 06-1067		



TYPE 1

TYPE 2

TYPE 3

TYPE 4

PART NUMBER	TYPE	A REF	B REF	C REF	D REF	CABLE OPENING REF	FACTORY NUMBER
S-302H-CCT-K	1	ϕ .691 [17.55]	-	.953 [24.21]	.359 [9.12]	.375 [9.53]	703 02 02 004
S-303H-CCT-K	2	1.034 [26.26]	.472 [11.99]	.953 [24.21]	.359 [9.12]	.313 [7.95]	703 02 03 004
S-304H-CCT-K	3	.786 [19.96]	.724 [18.39]	.953 [24.21]	.468 [11.89]	.375 [9.53]	703 02 04 004
S-306H-CCT-K	4	1.036 [26.31]	.724 [18.39]	1.078 [27.38]	.484 [12.29]	.438 [11.13]	703 02 06 004

NOTES:

1. SPECIFICATIONS:

ELECTRICAL:
 OPERATING VOLTAGE: 250 VAC RMS
 CURRENT RATING: 10 AMPS
 CONTACT RESISTANCE: 16 MILLIOHMS MAX

INSULATOR, CAP, RIVET: GENERAL PURPOSE PHENOLIC, BLACK

CONTACT: BRASS, MATTE TIN

BRACKET, SCREW, DRIVE PIN: STEEL, ZINC WITH CLEAR TRIVALENT CHROMATE

ENVIRONMENTAL:
 OPERATING TEMPERATURE: UP TO +105°C

TERMINATION: SOLDER

2. DIMENSIONS IN [] ARE IN MILLIMETERS

3. ALL DIMENSIONS ARE REFERENCE

RoHS COMPLIANT

UNITS ENGLISH INCHES	PRO/E	MODELED BY: JIMENEZ
DO NOT SCALE DRAWING	DATE 6/20/06	TITLE SOCKET ASSEMBLY CABLE CLAMP TOP W/KEEPER
UNLESS OTHERWISE SPECIFIED: ALL DIMENSIONS ARE IN INCHES	DESIGN ENGINEER JIMENEZ	CONTROL SPEC NUMBER 06-1067
FILLET/RADII .02 MAX	DESIGN ENGINEERING MGR. A. BALI	MATERIAL SPEC NUMBER PROJECT NUMBER C14789-1
TOLERANCES XXX ± .01 .XXX ± .005 ANGULAR ± .5°	MFG. ENGINEERING	CAD FILE NUMBER DRAWING NUMBER S302HCCTK S-302H-CCT-K
THIS DOCUMENT IS THE PROPERTY OF CINCH. NEITHER THIS DOCUMENT NOR ANY OF THE INFORMATION CONTAINED IN IT MAY BE DUPLICATED OR DISCLOSED WITHOUT PRIOR WRITTEN CONSENT OF CINCH.	QUALITY ASSURANCE	CAGE IDENT NO. SIZE 71785 B
		SCALE 1:1
		SHEET 1 OF 1