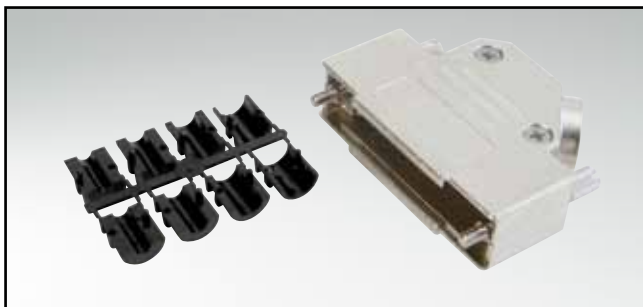


D-SUB METAL HOOD

Side cable entry – 9-37 pos. – Jack screws



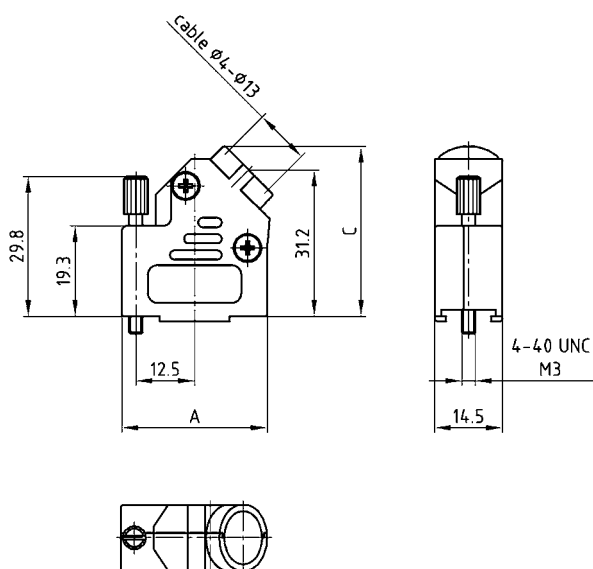
RoHS compliant – CSA listed, File No.: LR 115000-1 – UL listed, File No.: E202784

DESCRIPTION

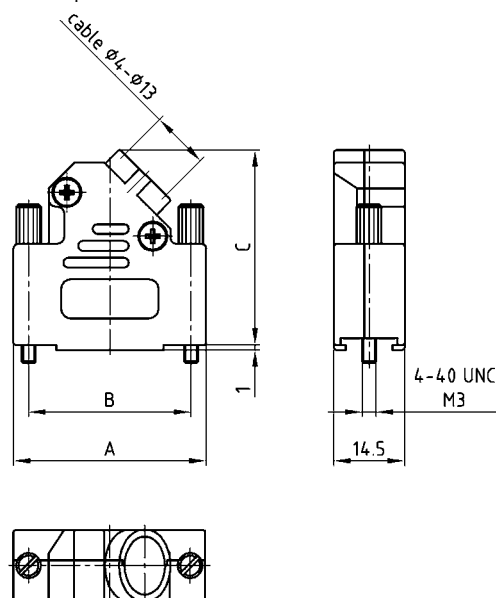
- Zinc die-cast hood, EMI/RFI shielding
- Plastic strain relief
- Fastening:
jack screws 4-40 UNC or M3 thread
- Housing nickel plated
- Attenuation factor: > 40dB between 30 Mhz and 2 GHz
- Crimp fitting and crimp tool please contact factory
- Bulk or single packaged units

PRODUCT DRAWING

9 pos.



15-37 pos.



No. of pos.	A	B	C
09	31.00		36.20
15	39.50	33.30	40.20
25	53.20	47.00	40.20
37	69.70	63.50	40.20

ORDER DATA

D-SUB METAL HOOD – SIDE CABLE ENTRY		
No. of pos.	Design 4-40 UNC	Part Number
09	Jack screw	165 X 02689 X
15	Jack screw	165 X 02699 X
25	Jack screw	165 X 02709 X
37	Jack screw	165 X 02719 X

D-SUB METAL HOOD – SIDE CABLE ENTRY		
No. of pos.	Design M3	Part Number
09	Jack screw	165 X 02729 X
15	Jack screw	165 X 02739 X
25	Jack screw	165 X 02749 X
37	Jack screw	165 X 02759 X

For single packaged add the letter „E“ at the end of the part number.