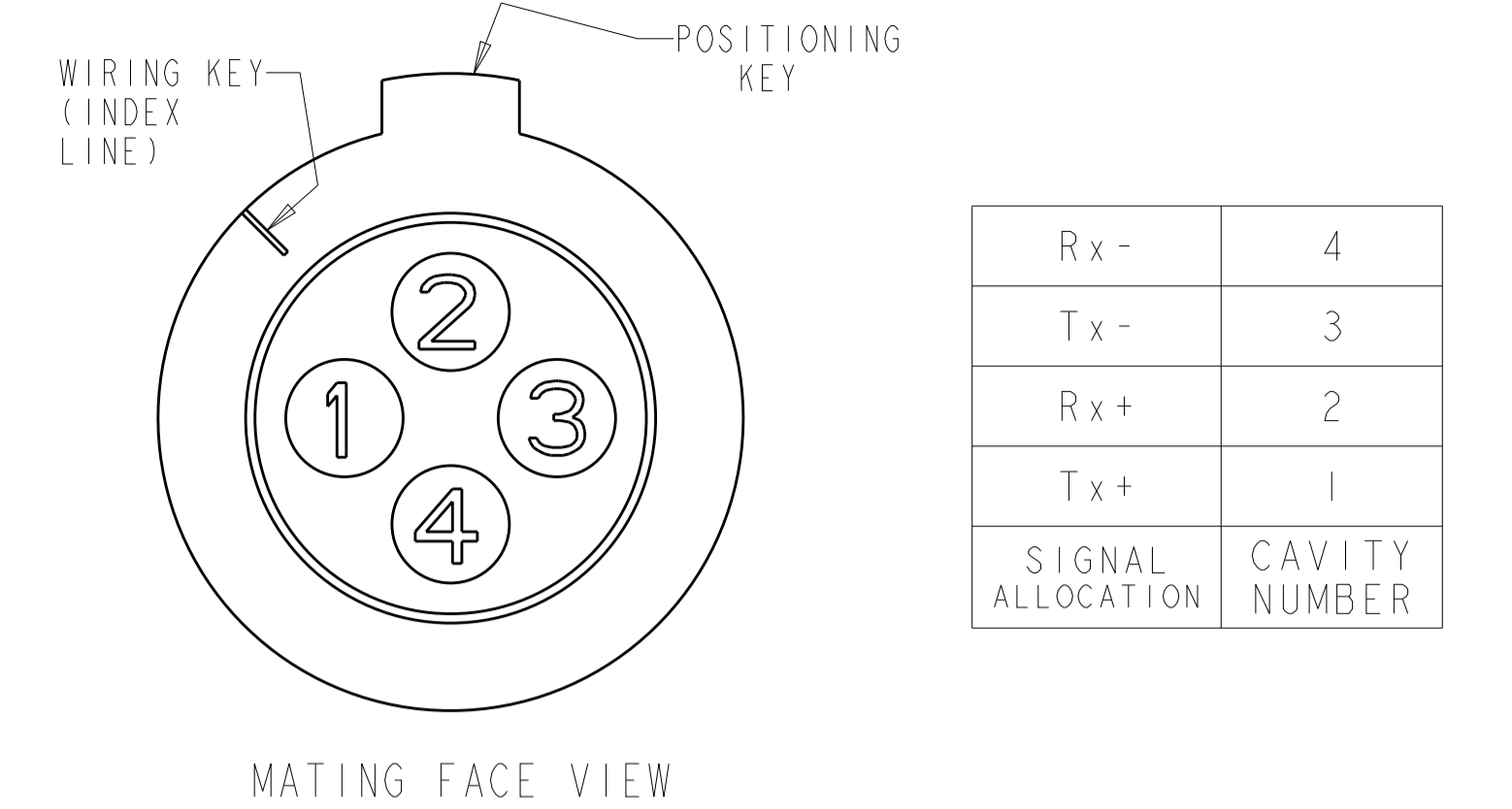
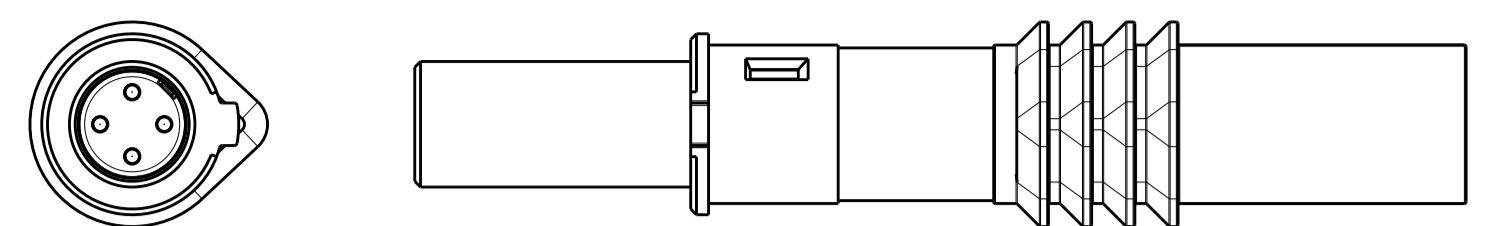


| REVISIONS | | | | |
|-----------|-----|-----------------------|-----------|-------|
| P. | LTH | DESCRIPTION | DATE | APVD |
| C | | REV PER ECO-15-012764 | 12OCT2015 | KG DM |

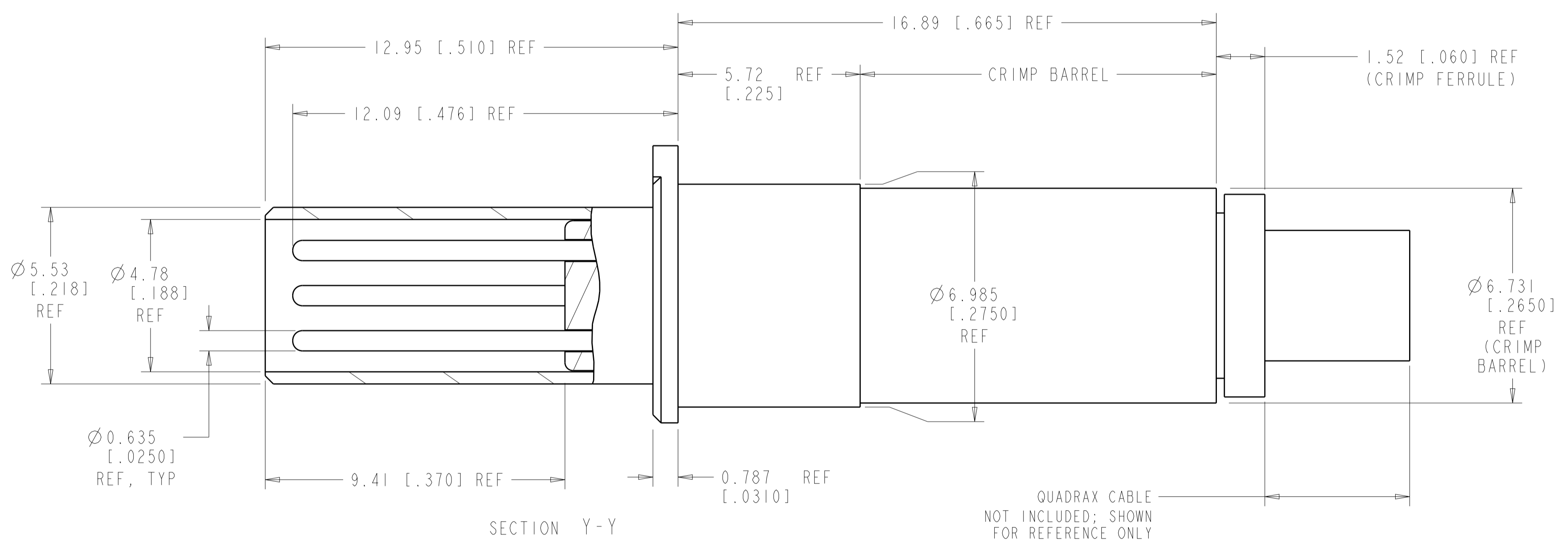
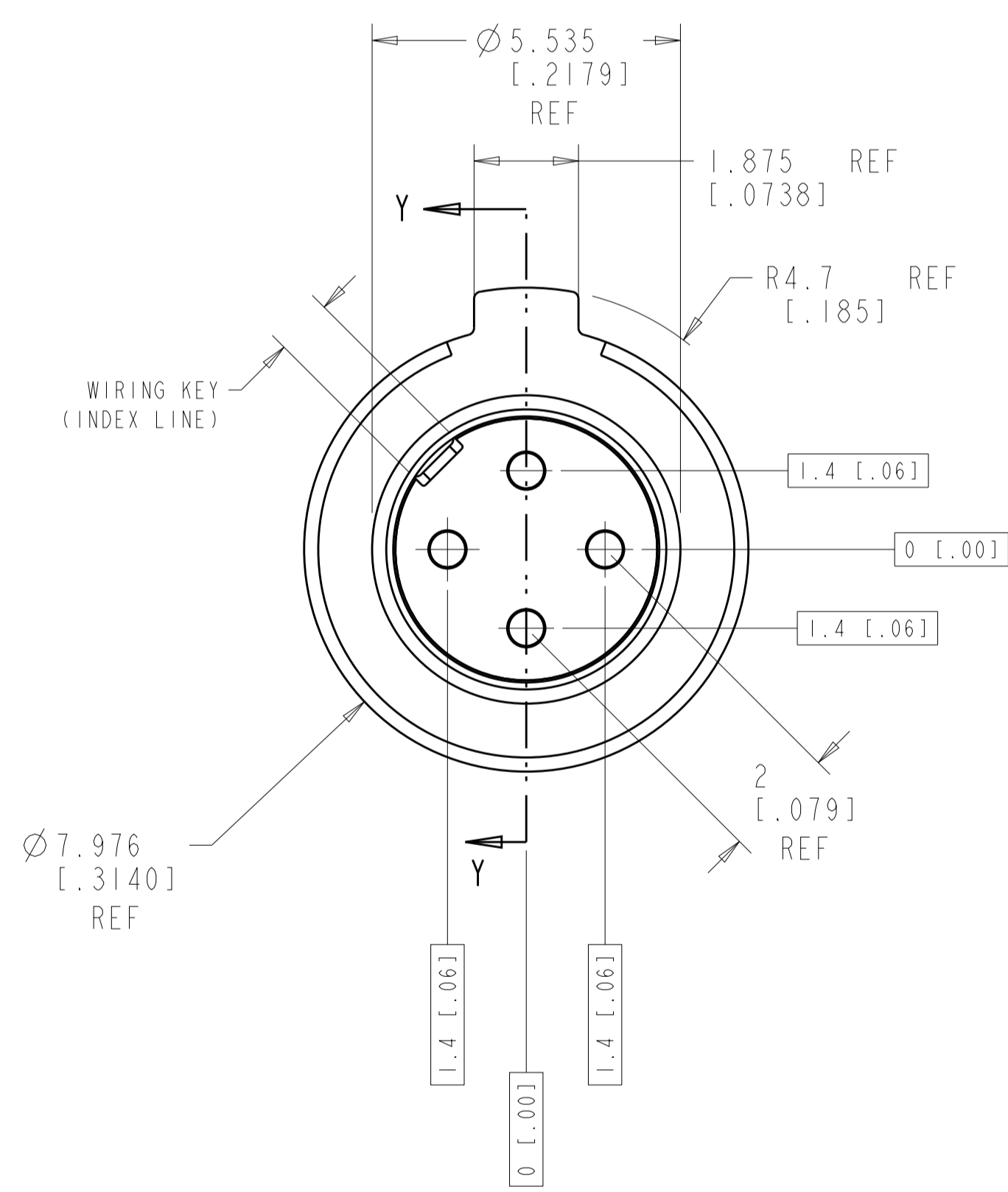
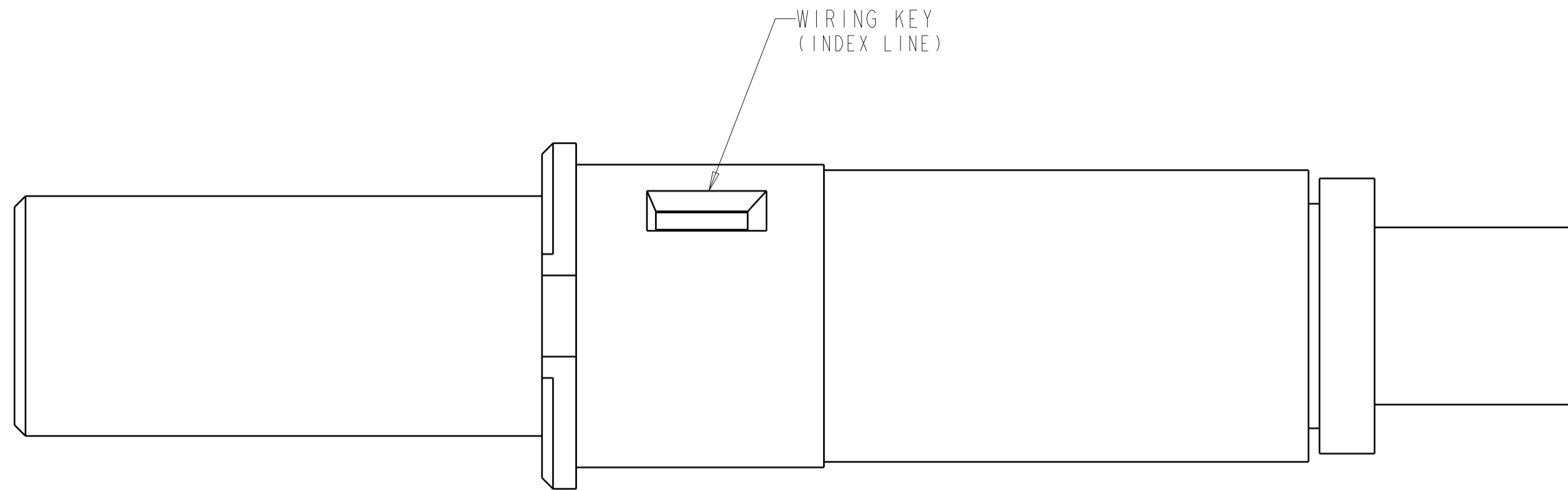


| | |
|-------------------|---------------|
| Rx- | 4 |
| Tx- | 3 |
| Rx+ | 2 |
| Tx+ | 1 |
| SIGNAL ALLOCATION | CAVITY NUMBER |



1877039-2
SCALE 3:1

CONTACT CAVITY NUMBERING
STANDARD CAVITY NUMBER ASSIGNMENT



QUADRAx CABLE
NOT INCLUDED; SHOWN
FOR REFERENCE ONLY

| | | |
|------------|----------------------------------|-----------|
| BLUE | SAME AS -1 EXCEPT WITH WIRE SEAL | 1877039-2 |
| -- | AS SHOWN; WITHOUT WIRE SEAL | 1877039-1 |
| SEAL COLOR | DESCRIPTION | PART NO. |

- COMPONENTS ARE PACKAGED IN KIT FORM. CABLE MUST BE PURCHASED SEPARATELY. .231 HEX CRIMP WILL ALLOW ASSEMBLY OF SOME 150 OHM CABLES.
REFERENCE CABLES: TENSOLITE 26473/02006X-4(LD), RAYCHEM CEC-RWC-18684, RAYCHEM CEC-RWC-18680
- ASSEMBLY PER APPLICATION SPECIFICATION 114-13123. (.231 HEX CRIMP)
- USE INSERTION-EXTRACTION TOOL 1738894-1.

THIS DRAWING IS A CONTROLLED DOCUMENT.

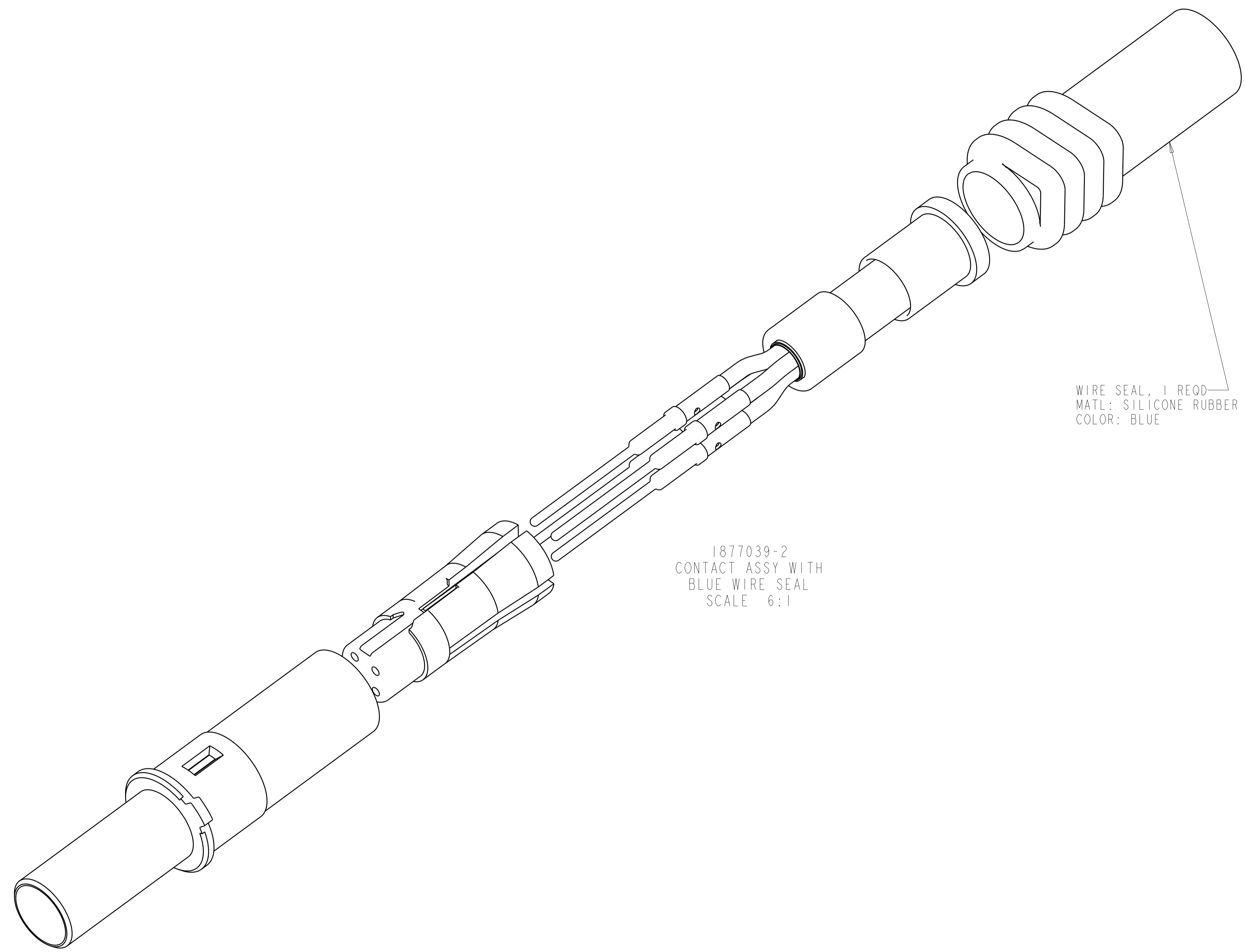
| | | | | | |
|-------------|--|--------------------|----------------------|----------------------|------------------|
| DIMENSIONS: | TOLERANCES UNLESS OTHERWISE SPECIFIED: | OWN: 04MAY05 | CHK: 04MAY05 | APVD: 04MAY05 | REV: 04MAY05 |
| mm [INCH] | 0 PLC ± .01 | 1 PLC ±0.2 [1.008] | 2 PLC ±0.13 [1.0051] | 3 PLC ±0.051 [1.002] | 4 PLC ± .01 |
| MATERIAL: | | FINISH: | | WEIGHT: | Customer Drawing |

ASSEMBLY, PIN, QUADRAx, 2mm SQ, AIRCRAFT DATA NETWORK, RR/RR WITH PIN CONTACTS, .231 HEX CRIMP

SIZE: A1 CAGE CODE: 1877039 DRAWING NO: 1877039 SHEET 1 OF 2 REV C

THIS DRAWING IS UNPUBLISHED. RELEASED FOR PUBLICATION 20
 © COPYRIGHT 20 BY - ALL RIGHTS RESERVED.

| REVISIONS | | | | |
|-----------|-----|-------------|------|-------|
| P. | LTN | DESCRIPTION | DATE | APP'D |
| - | - | SEE SHEET 1 | - | - |
| | | | | |
| | | | | |



1877039-2
 CONTACT ASSY WITH
 BLUE WIRE SEAL
 SCALE 6:1

WIRE SEAL, 1 REQD
 MATL: SILICONE RUBBER
 COLOR: BLUE

| | | | |
|--|-----------|---------------|--|
| THIS DRAWING IS A CONTROLLED DOCUMENT. | | DWN: 04MAY05 | |
| DIMENSIONS: mm [INCH] | | CHK: 04MAY05 | |
| TOLERANCES UNLESS OTHERWISE SPECIFIED: | | RW: 04MAY05 | |
| 0 PLC ±.013 (1.0051) 1 PLC ±0.2 (1.0083) 2 PLC ±0.13 (1.0051) 3 PLC ±0.051 (1.0023) 4 PLC ±. ANGLES ±. FINISH ±. | | APVD: 04MAY05 | |
| MATERIAL: - | FINISH: - | WEIGHT: - | NAME: ASSEMBLY, PIN, QUADRAX, 2mm SQ, AIRCRAFT DATA NETWORK, RR/RR WITH PIN CONTACTS, .231 HEX CRIMP SIZE: A1 CAGE CODE: - DRAWING NO: 1877039 RESTRICTED TO: - Customer Drawing SCALE: 2:1 SHEET 2 OF 2 REV C |