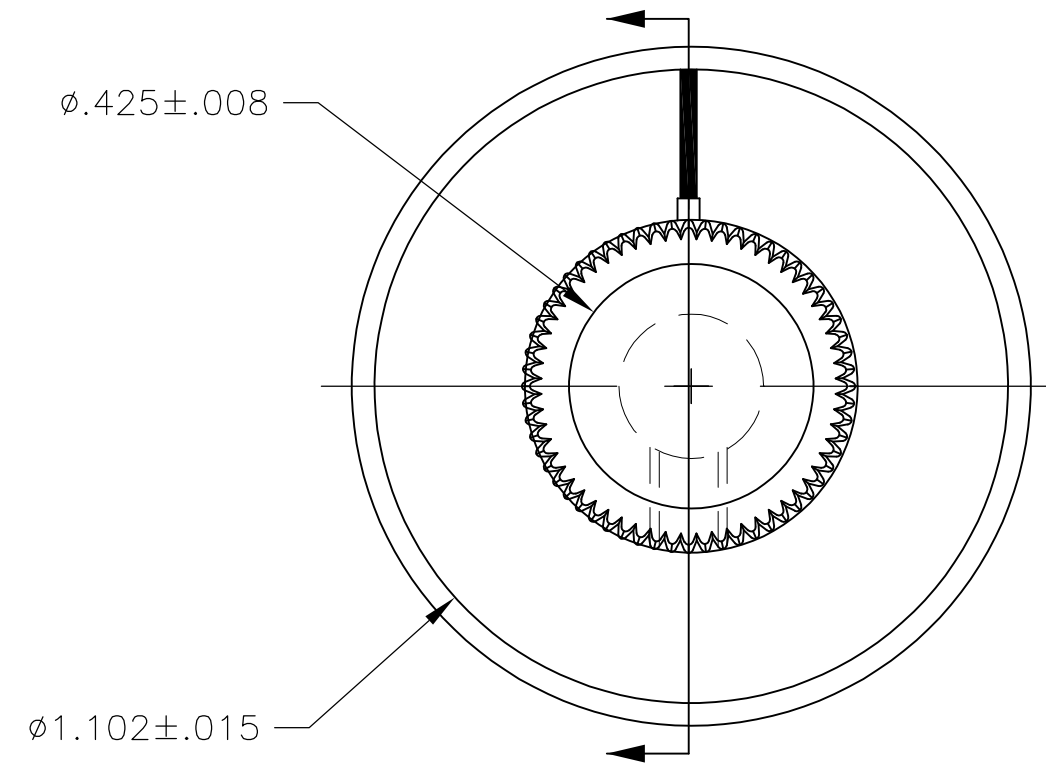
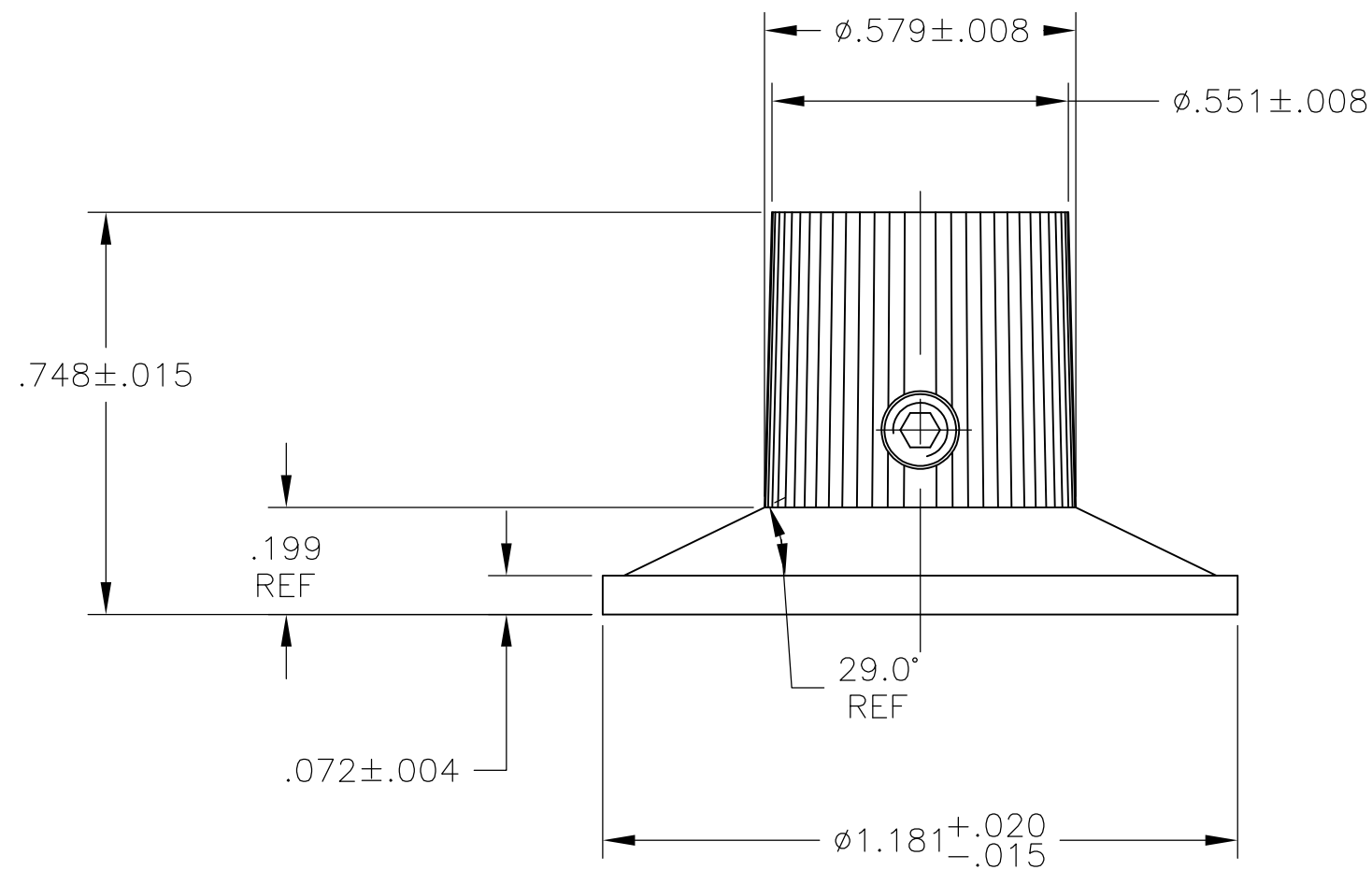
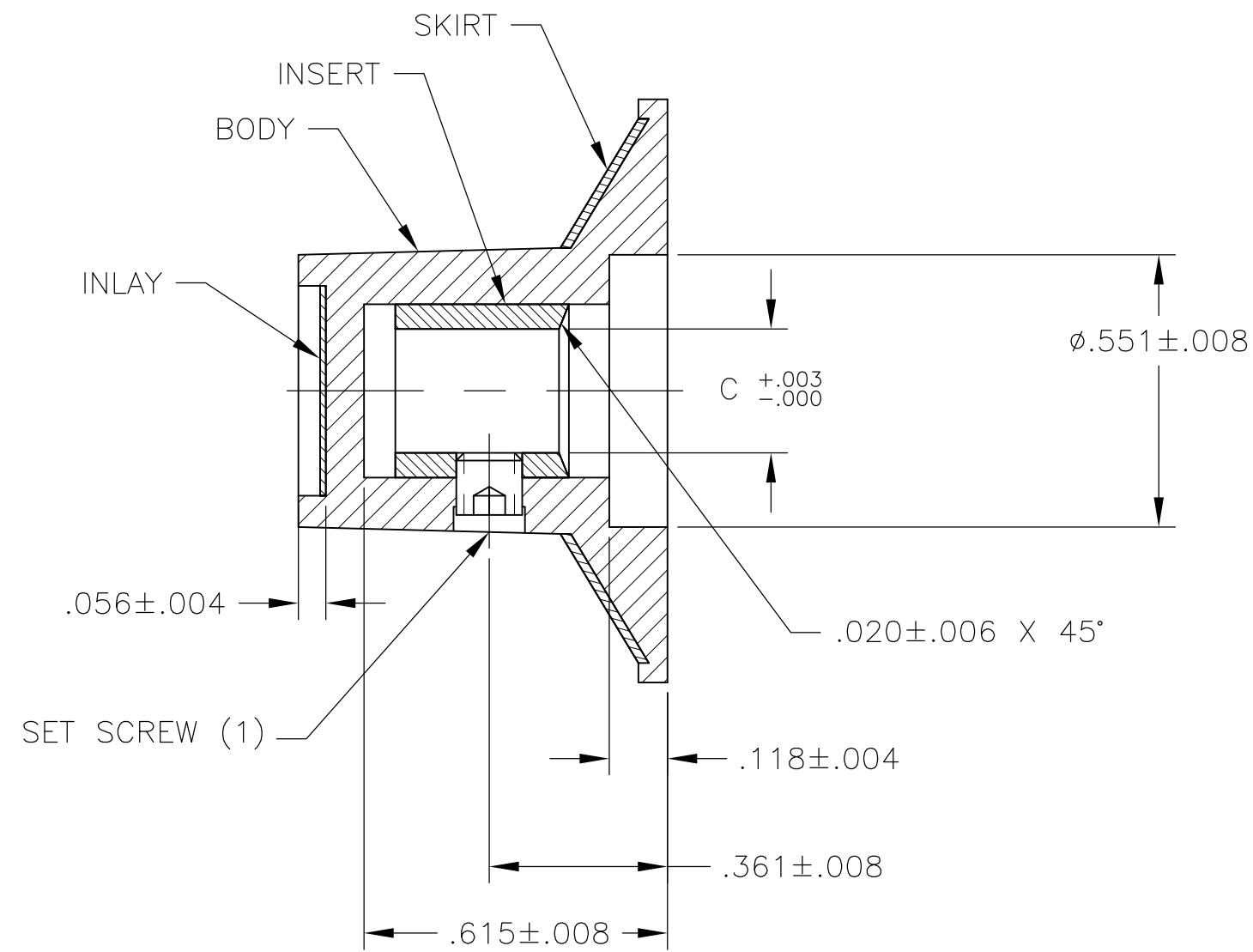


THIS DRAWING IS UNPUBLISHED. RELEASED FOR PUBLICATION
 © COPYRIGHT BY TYCO ELECTRONICS CORPORATION. ALL RIGHTS RESERVED.

LOC		DIST		REVISIONS			
P	LTR	DESCRIPTION	DATE	DWN	APVD		
AD	0	B2	REVISED PER ECO-08-014695	13JUN08	HMR	MW	



9-1437624-8
 [PKS1132B1/4]



- 1 MATERIAL AND FINISH:
 SKIRT AND INLAY: ALUMINUM .016 THK., CLEAR ACRYLIC COATED
 BODY: PHENOLIC, BLACK, HIGH GLOSS FINISH (SPE/SPI#A2)
 SET SCREW: 303 STAINLESS STEEL, BLACK ANODIZED
 INSERT: BRASS

- 2 SET SCREW ARE UNC-2A, CUP POINT, HEX SOCKET TYPE.
 LENGTH TOLERANCE ON ALL SET SCREWS TO BE ±.010.
- 3 INDICATOR LINE AND NUMBER COLOR: BLACK
- 4 RETENTION FORCE OF INSERT IN KNOB BODY: 50 LBS MIN.

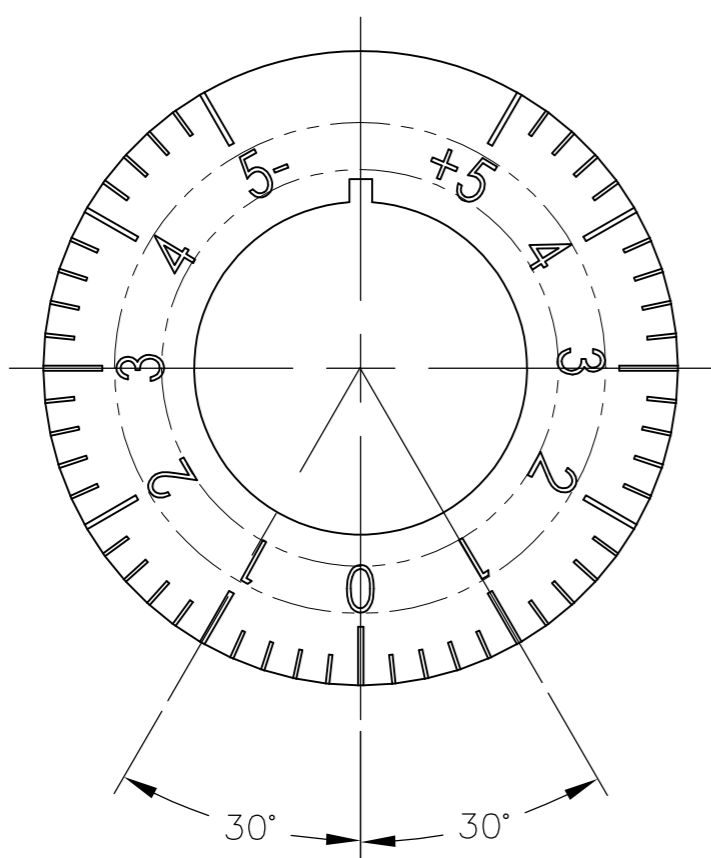
#6-32 X .125	.251	PKS1132B91/4	1437625-2
#6-32 X .125	.251	PKS1132B51/4	1437625-1
#6-32 X .125	.251	PKS1132B101/4	9-1437624-9
#6-32 X .125	.251	PKS1132B1/4	9-1437624-8

2 SET SCREW	C SHAFT HOLE	MODEL NUMBER	PART NUMBER
-------------	--------------	--------------	-------------

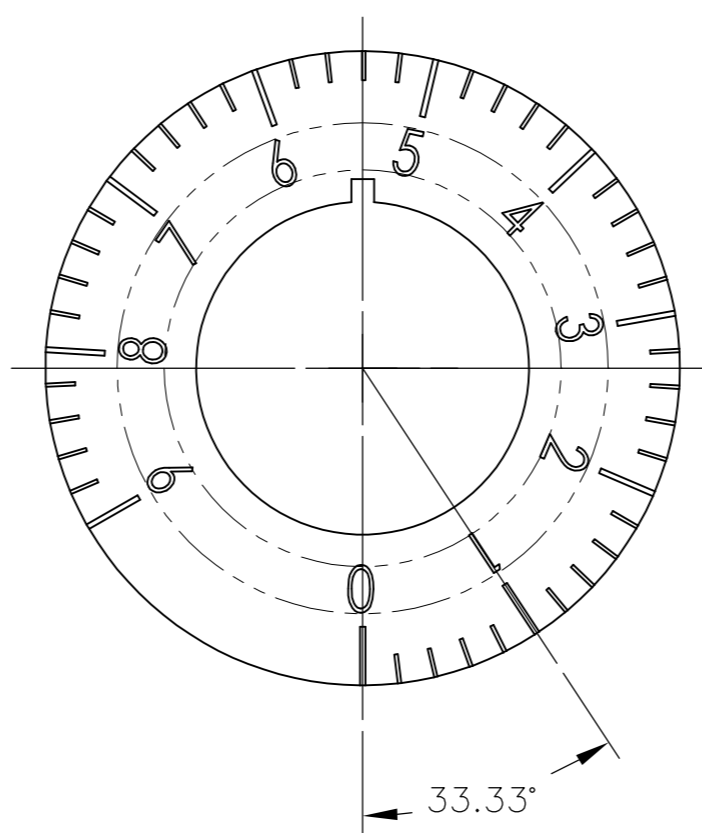
THIS DRAWING IS A CONTROLLED DOCUMENT.		DWN M.BINNER	02APR03	Tyco Electronics Corporation Harrisburg, Pa 17105-3608	
DIMENSIONS: INCHES		CHK -	APVD -	NAME	
TOLERANCES UNLESS OTHERWISE SPECIFIED:		PRODUCT SPEC -		APPLICATION SPEC -	
0 PLC ± - 1 PLC ± - 2 PLC ± - 3 PLC ± .004 4 PLC ± - ANGLES ± 2° FINISH -		WEIGHT -		SIZE A2	
MATERIAL -		CUSTOMER DRAWING		CAGE CODE 00779	DRAWING NO 1437625-1
		SCALE 1:1		SHEET 1 OF 2	REV B2

THIS DRAWING IS UNPUBLISHED. RELEASED FOR PUBLICATION
 © COPYRIGHT BY TYCO ELECTRONICS CORPORATION. ALL RIGHTS RESERVED.

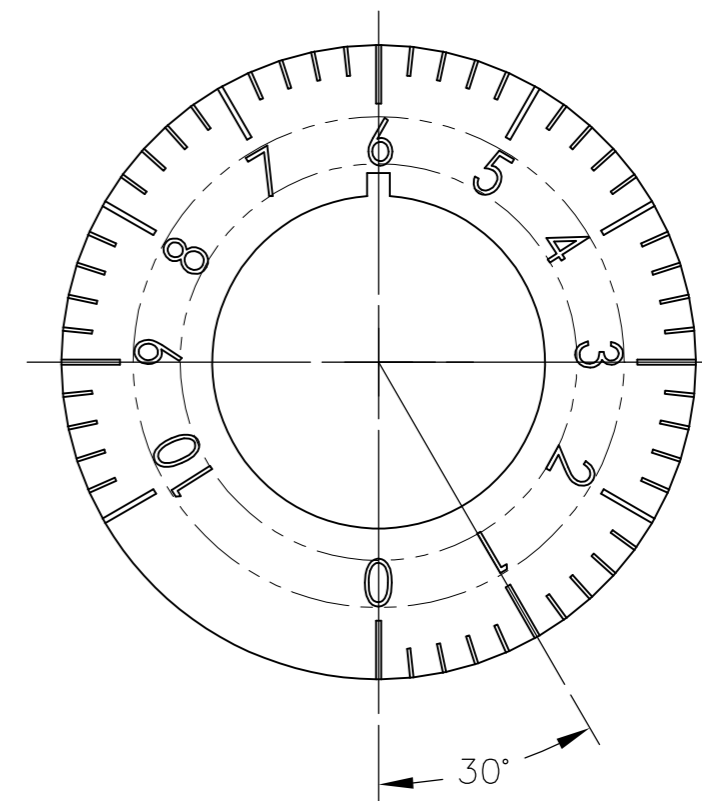
LOC	DIST	REVISIONS			
P	LTR	DESCRIPTION	DATE	DWN	APVD
AD	0	SEE SHEET 1	-	-	-



1437625-1
[PKS1132B51/4]



1437625-2
[PKS1132B91/4]



9-1437624-9
[PKS1132B101/4]

THIS DRAWING IS A CONTROLLED DOCUMENT.		DWN M.BINNER	02APRO3	Tyco Electronics Corporation Harrisburg, Pa 17105-3608	
DIMENSIONS: INCHES		CHK -	APVD -	NAME	
		TOLERANCES UNLESS OTHERWISE SPECIFIED: 0 PLC ± - 1 PLC ± - 2 PLC ± - 3 PLC ± .004 4 PLC ± - ANGLES ± 2°		PRODUCT SPEC	
MATERIAL		WEIGHT		PKS SERIES KNOB	
-		-		SIZE A2	RESTRICTED TO
FINISH		CUSTOMER DRAWING		CAGE CODE 00779	DRAWING NO 1437625-1
-		SCALE 1:1		SHEET 2 OF 2	REV B2

1437625-1