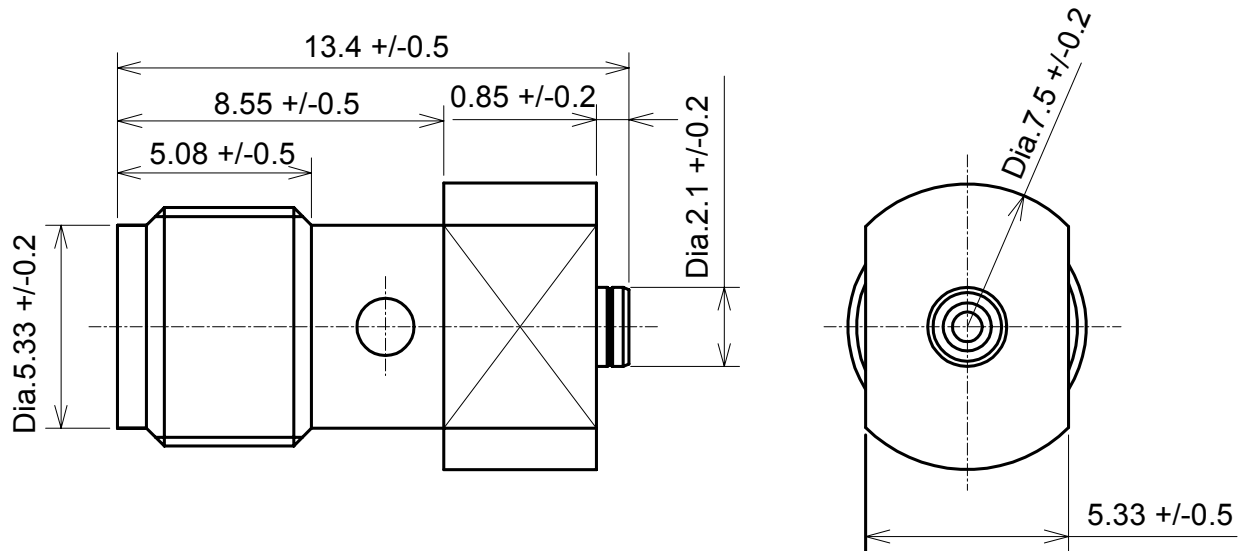


**SPECIFICATION**

**1. MECHANICAL**



**2. RATING:**

Item	Specification
Voltage Rating	250V r.m.s. maximum
Nominal Frequency Range	DC to 6GHz
Nominal Impedance	50Ω
Temperature Rating	-40°C to +90°C
Insulation Resistance	500 MΩ minimum
Withstanding Voltage	No evidence of breakdown
Initial Contact Resistance (without conductor resistance)	Center contact 25.0mΩmax. Outer contact 20.0mΩmax.
Insertion loss	0.1dBmax. (2GHz)
Durability	1K cycles