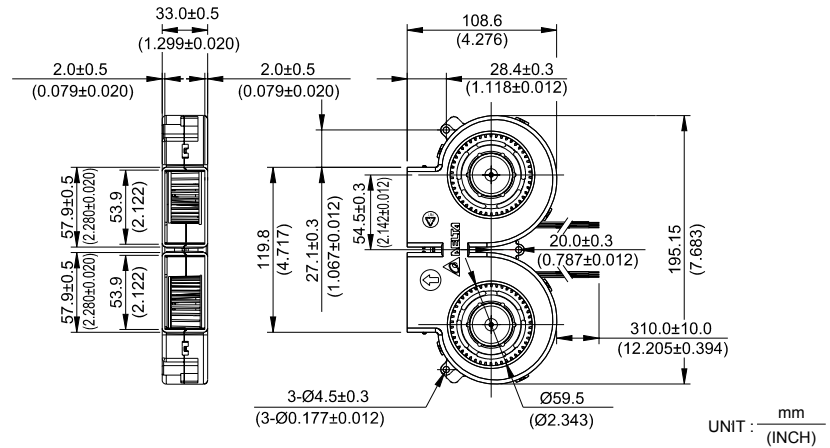
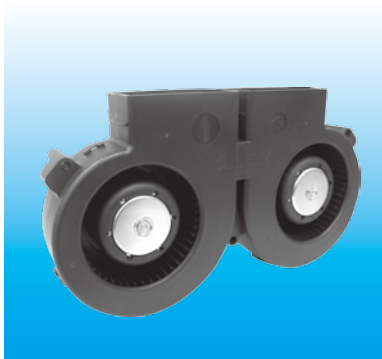


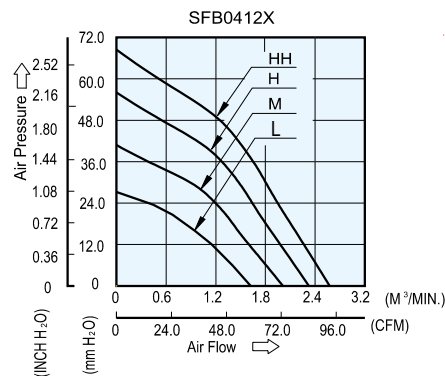
SFB 196 x 109 x 33 MM SERIES

DIMENSIONS DRAWING



- * Bearing Type
Ball Bearings
- * Material
Impeller & Frame : Plastic (UL 94V-0)
- * Lead Wires :
UL 1007 AWG #24 OR Equivalent
Red Wire Positive(+)
Black Wire Negative(-)
- * Weight : 385g (13.58 oz)

P & Q CURVE (AT RATED VOLTAGE)



MODEL		Rated Voltage	Operating Voltage Range	Input Current	Input Power	Speed	Maximum Air Flow		Maximum Air Pressure		Noise
PART NO.	FUNCTION	VDC	VDC	Amp	Watt	R.P.M.	m ³ /min	CFM	mmH ₂ O	IN H ₂ O	dB-A
SFB0412L	-R00 / -F00	12	7.0 to 13.2	1.40	16.80	3300	1.610	56.85	27.06	0.893	57.5
SFB0412M	-R00 / -F00	12	7.0 to 13.2	2.10	25.20	4000	2.012	71.07	40.85	1.608	61.5
SFB0412H	-R00 / -F00	12	7.0 to 13.2	3.10	37.20	4600	2.325	82.12	56.08	2.208	64.5
SFB0412HH	-R00 / -F00	12	7.0 to 12.6	4.60	55.20	5300	2.577	90.99	68.43	2.694	67.0

* Function type is optional.
 * The max. air flow and the speed are measured in free air ; max. air pressure is measured at zero air flow.
 * Noise is measured in anechoic chamber in free air, one meter from intake side.
 * All readings are typical values at rated voltage.
 * Specifications are subject to change without notice.