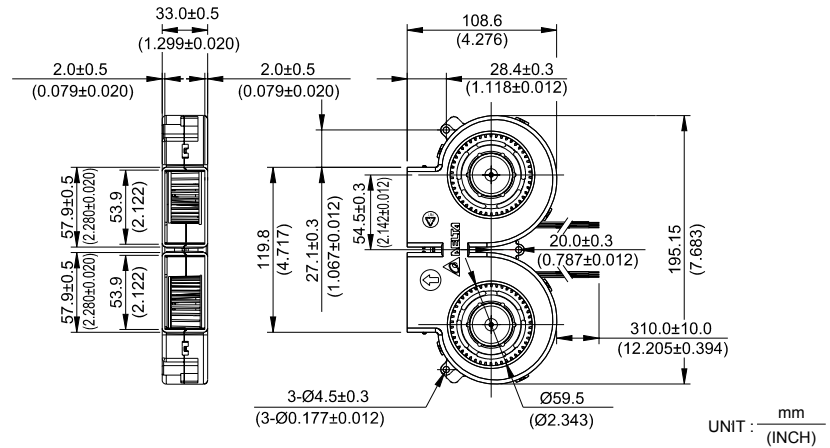
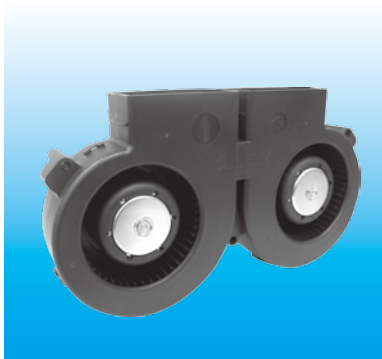


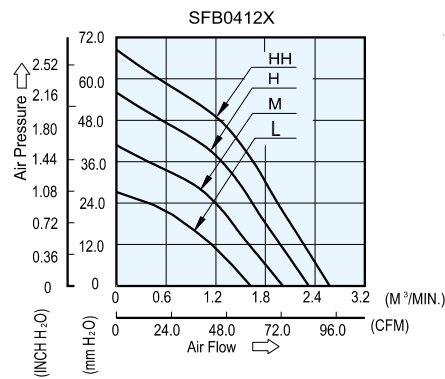
# SFB 196 x 109 x 33 MM SERIES

## ■ DIMENSIONS DRAWING



- \* Bearing Type  
Ball Bearings
- \* Material  
Impeller & Frame : Plastic (UL 94V-0)
- \* Lead Wires :  
UL 1007 AWG #24 OR Equivalent  
Red Wire Positive(+)  
Black Wire Negative(-)
- \* Weight : 385g (13.58 oz)

## ■ P & Q CURVE (AT RATED VOLTAGE)



MODEL		Rated Voltage	Operating Voltage Range	Input Current	Input Power	Speed	Maximum Air Flow		Maximum Air Pressure		Noise
PART NO.	FUNCTION	VDC	VDC	Amp	Watt	R.P.M.	m <sup>3</sup> /min	CFM	mmH <sub>2</sub> O	IN H <sub>2</sub> O	dB-A
SFB0412L	-R00 / -F00	12	7.0 to 13.2	1.40	16.80	3300	1.610	56.85	27.06	0.893	57.5
SFB0412M	-R00 / -F00	12	7.0 to 13.2	2.10	25.20	4000	2.012	71.07	40.85	1.608	61.5
SFB0412H	-R00 / -F00	12	7.0 to 13.2	3.10	37.20	4600	2.325	82.12	56.08	2.208	64.5
SFB0412HH	-R00 / -F00	12	7.0 to 12.6	4.60	55.20	5300	2.577	90.99	68.43	2.694	67.0

- \* Function type is optional.
- \* The max. air flow and the speed are measured in free air ; max. air pressure is measured at zero air flow.
- \* Noise is measured in anechoic chamber in free air, one meter from intake side.
- \* All readings are typical values at rated voltage.
- \* Specifications are subject to change without notice.