

## MICRO SWITCH™ Miniature Safety Switches 24CE Series

004787

Issue 1

Datasheet



### DESCRIPTION

Honeywell's 24CE Series of miniature electromechanical safety switches are designed with a rugged metal housing. This Series features positive opening normally closed contacts  $\rightarrow$  to EN/IEC 60947-5-1-3 specifications. Due to their small size and positive opening normally closed contact, the 24CE Series provides a safety solution for applications where the size of other products could be prohibitive on the machinery. The 24CE Series offers a variety of configurations which include a wide range of actuators, and circuits to solve many application issues. These miniature switches are weather sealed to IP66 for demanding environments on indoor or outdoor machinery. In addition, the 24CE Series has been evaluated for safety functions up to a safety integrity level (SIL) of SIL3 when evaluated to the requirements of IEC 61508-2:2010.

### VALUE TO CUSTOMERS

- Miniature rugged 24CE switches with common 25,4 mm [1.0 in] mounting footprint
- Switches easily gang mounted for multi-pole capability
- Low temperature option of -40 °C [-40 °F]
- Long life of up to 10 million mechanical operations

### DIFFERENTIATION

- Miniature metal body size of 40 mm L x 16 mm W x 49 mm H [1.58 in L x 0.63 in W x 1.93 in H] requires less space on machinery
- Positive opening normally closed contacts  $\rightarrow$  with an optional normally open contact
- Designed and evaluated for safety functions up to a SIL3 level

### FEATURES

- Compact metal housing epoxy encapsulated with the common 25,4 mm [1.0 in] center-to-center mounting
- Positive opening operation of normally closed contacts  $\rightarrow$  to EN/IEC 60947-5-1-3 specification
- Designed and agency evaluated for safety functions up to a SIL3 level
- Three different slow-action circuit options: 1NC/1NO BBM (break-before-make), 1NC/1NO MBB (make-before-break), and 1NC
- Wide range of actuator heads and levers
- Can be gang mounted for multiple-pole capability
- CE approvals
- Environmentally sealed to IP66
- Standard temperature operating range of 0 °C to 70 °C [32 °F to 158 °F]
- Optional low temperature operating range of -40 °C to 70 °C [-40 °F to 158 °F]

### POTENTIAL APPLICATIONS

- Industrial
  - Machine tools (small doors and apertures)
  - Material handling
  - Packaging machinery
  - Trailer/truck restraint systems (dok-loks)
- Transportation
  - Small construction machinery

### PORTFOLIO

MICRO SWITCH™ 24CE Series miniature safety switches complement the [924CE Series](#) of miniature safety limit switches. These Series of switches are a small segment of the total family of Honeywell's MICRO SWITCH™ electromechanical safety switches.

# MICRO SWITCH™ Miniature Safety Switches, 24CE Series

Table 1. Specifications

| Characteristic                      | Parameter   |
|-------------------------------------|---|
| Description                         | Miniature safety electromechanical switch   |
| Certifications                      | CE, SIRA, IEC/EN60947-5-1   |
| Housing material                    | Epoxy coated die-cast zinc  |
| Actuators                           | Pin plunger (24CE1-)<br>Roller plunger parallel (24CE2-)<br>Roller plunger perpendicular (24CE3-)<br>Rotary (24CE16-)<br>Pin plunger with boot seal (24CE18-)<br>Roller plunger parallel, panel mount (24CE28-)<br>Roller plunger perpendicular, panel mount (24CE29-)<br>Roller plunger parallel with boot seal (24CE31-)<br>Roller plunger perpendicular with boot seal (24CE55-)<br>Ball-bearing plunger (24CE66-) |
| Termination (electrical connection) | 3-core or 5-core harmonised Cenelec cable   |
| Contact options                     | 1NC/1NO BBM (break-before-make), 1NC/1NO MBB (make-before-break), 1NC (all normally closed contacts are positive opening) →   |
| Contact type                        | Slow action   |
| Contact material                    | Silver alloy, gold-plated contacts optional   |
| Utilization category                | AC15, B300; DC13, R300  |
| Rated operational voltage (Ue)      | 240 V ac or dc  |
| Rated operational current           | 1.5 A, 0.1 A  |
| Rated thermal current (Ith)         | 10 A  |
| Rated impulse withstand (Uimp)      | 2500 V  |
| Maximum fuse rating                 | 10 A  |
| Environmental sealing               | IP66  |
| Operating temperature               | Standard: 0 °C to 70 °C [32 °F to 158 °F]<br>Optional: -40 °C to 70 °C [-40 °F to 158 °F]   |
| MCTF (Mechanical life)              | >1,000,000 cycles   |
| MCTF (Electrical life)              | >25,000 cycles  |
| SIL Capability                      | Up to SIL3 (HFT1), IEC61508-2:2010  |
| Proof test interval                 | 1 year  |

Table 2. Electrical Ratings EN/IEC 60947-5-1

| ac      |        |           |       | dc      |        |           |       |
|---------|--------|-----------|-------|---------|--------|-----------|-------|
| B300    | AC15   | VA Rating |       | R300    | DC13   | VA Rating |       |
| UE      | IE     | Make      | Break | UE      | IE     | Make      | Break |
| (Volts) | (Amps) |           |       | (Volts) | (Amps) |           |       |
| 120     | 3      | 3600      | 360   | 125     | 0.22   | 28        | 28    |
| 240     | 1.5    | 3600      | 360   | 250     | 0.1    | 28        | 28    |

# MICRO SWITCH™ Miniature Safety Switches, 24CE Series

Figure 1. Product Nomenclature

| 24CE<br>Switch Type                       | 1<br>Head Type   | S<br>Contact Arrangement and Type        | 3<br>Cable Length*         | A<br>Options**  |
|---|--|--|----------------------------|---|
| <b>24CE</b><br>Miniature<br>Safety Switch | <b>1</b> Top pin plunger<br>Ø 10 mm (sst)  | <b>S</b> 1NC/1NO SPDT<br>BBM slow action | <b>1</b> 1 meter of cable  | <b>A</b> Side exit cable  |
|   | <b>2</b> Top roller plunger<br>parallel, Ø12,7<br>x 4,7 wide (steel)               | <b>T</b> 1NC/1NO SPDT<br>MBB slow action | <b>2</b> 2 meters of cable | <b>B</b> Low temperature<br>construction                        |
|   | <b>3</b> Top roller plunger<br>perpend., Ø12,7<br>x 4,7 wide (steel)               | <b>Y</b> 1NC SPST<br>slow action         | <b>3</b> 3 meters of cable | <b>C</b> Side exit cable and<br>low temperature<br>construction |
|   | <b>16</b> Front rotary<br>(less lever)   |  | <b>4</b> 4 meters of cable | <b>D</b> Halogen-free<br>cable                                  |
|   | <b>18</b> Top pin plunger<br>10 mm (sst) with<br>boot seal                         |  | <b>5</b> 5 meters of cable | <b>G</b> Gold-plated contacts                                   |
|   | <b>28</b> Top roller plunger<br>parallel, Ø12,7 x 4,7<br>wide (steel), panel mount |  | <b>6</b> 6 meters of cable | <b>M</b> PUR cable  |
|   | <b>29</b> Top roller plunger<br>perpend., Ø12,7 x 4,7<br>wide (steel), panel mount |  |                            |   |
|   | <b>31</b> Top roller plunger<br>parallel, Ø12,7 x 4,7<br>wide (steel), boot seal   |  |                            |   |
|   | <b>55</b> Top roller plunger<br>perpend., Ø12,7 x 4,7<br>wide (steel), boot seal   |  |                            |   |
|   | <b>66</b> Top ball bearing,<br>Ø 7,9 mm  |  |                            |   |

\* For other cable lengths available, contact your Honeywell provider.

\*\* More than one option may be permissible.

# MICRO SWITCH™ Miniature Safety Switches, 24CE Series

## GANG-MOUNT CAPABILITY

The 24CE Series housing has been designed to enable the user to build their own multiple plunger switch by gang mounting several switches. All pin plunger and roller plunger types are suitable for gang mounting. There is a 16 mm distance between the plungers. The Series is very versatile such that even a lever-type version could be added at the end of the row.

## BOTTOM-EXIT OR SIDE-EXIT ORIENTATION

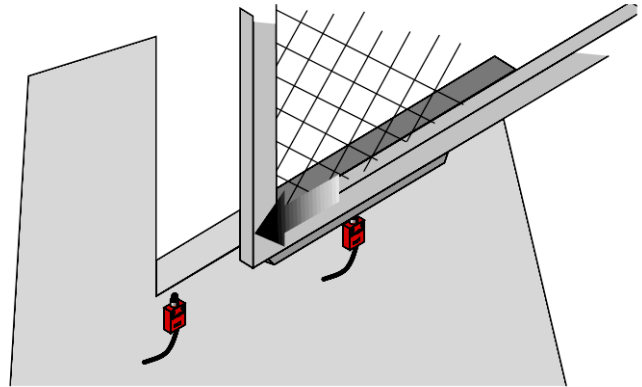
The 24CE Series has been designed with a pre-wired cable fitted in the bottom of the switch housing. Other variations are available with a side-exit cable.

## MOUNTING

MICRO SWITCH™ 24CE Series safety switches are mounted by using two M5 or #10 screws. The mounting holes are counter bored to keep the screw heads within the overall switch housing dimensions.

## APPLICATION ILLUSTRATION

Two 24CE roller plunger switches to monitor gate position, closed or open.




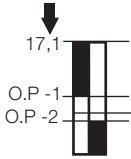
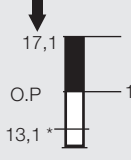

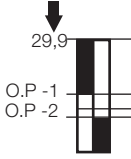
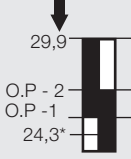
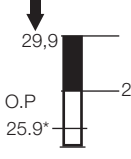
## CONTACT ARRANGEMENT AND DESCRIPTION

| Circuit Type |             | Circuit Diagram | Cable/Connector                                   |
|--------------|-------------|-----------------|---|
| <b>S</b>     | <b>BBM</b>  |                 | 5 x 0,75 mm <sup>2</sup> harmonised Cenelec cable |
| <b>T</b>     | <b>MBB</b>  |                 | 5 x 0,75 mm <sup>2</sup> harmonised Cenelec cable |
| <b>Y</b>     | <b>SPNC</b> |                 | 3 x 0,75 mm <sup>2</sup> harmonised Cenelec cable |

\* Grey with PUR cable.

# MICRO SWITCH™ Miniature Safety Switches, 24CE Series

Table 3. 24CE Order Guide


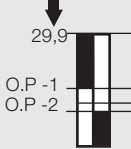






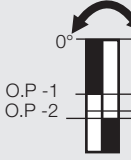
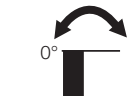
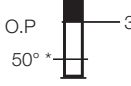


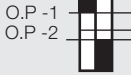
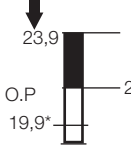
|   | Head Type  | Catalog Listing | Contact Arrangement [slow action] | Operating Force or Torque (max.) | Bar Chart<br>■ Contact Closed<br>□ Contact Open<br>mm or °                           | Options  | Harmonised Cenelec cable ** length (meters) |
|---|--|-----------------|-----------------------------------|----------------------------------|--|--|---|
|    | Top pin plunger, Ø 10 mm [sst]                           | 24CE1-S2        | 1NC/1NO BBM                       | 22,5 N [5.06 lb]                 |    | -  | 2   |
|   |  | 24CE1-S2A       | 1NC/1NO BBM                       | 22,5 N [5.06 lb]                 |  | Side-exit cable  | 2   |
|   |  | 24CE1-S2B       | 1NC/1NO BBM                       | 22,5 N [5.06 lb]                 |  | Side-exit cable and -40 °C [-40 °F] low temp. construction | 2   |
|   |  | 24CE1-S3        | 1NC/1NO BBM                       | 22,5 N [5.06 lb]                 |  | -  | 3   |
|   |  | 24CE1-S6        | 1NC/1NO BBM                       | 22,5 N [5.06 lb]                 |  | -  | 6   |
|   |  | 24CE1-S6A       | 1NC/1NO BBM                       | 22,5 N [5.06 lb]                 |  | Side-exit cable  | 6   |
|   |  | 24CE1-Y1        | 1NC                               | 22,5 N [5.06 lb]                 |    | -  | 1   |
|   |  | 24CE1-Y1A       | 1NC                               | 22,5 N [5.06 lb]                 |  | Side-exit cable  | 1   |
|   |  | 24CE1-Y2        | 1NC                               | 22,5 N [5.06 lb]                 |  | -  | 2   |
|   |  | 24CE1-Y2A       | 1NC                               | 22,5 N [5.06 lb]                 |  | Side-exit cable  | 2   |
|   |  | 24CE1-Y3        | 1NC                               | 22,5 N [5.06 lb]                 |  | -  | 3   |
|   |  | 24CE1-Y8B       | 1NC                               | 22,5 N [5.06 lb]                 |  | -40 °C [-40 °F] low temp. construction                     | 8   |
|  | Top roller plunger, parallel Ø12,7 x 4,7 mm wide [steel] | 24CE2-S1        | 1NC/1NO BBM                       | 22,5 N [5.06 lb]                 |  | -  | 1   |
|   |  | 24CE2-S2        | 1NC/1NO BBM                       | 22,5 N [5.06 lb]                 |  | -  | 2   |
|   |  | 24CE2-S2A       | 1NC/1NO BBM                       | 22,5 N [5.06 lb]                 |  | Side-exit cable  | 2   |
|   |  | 24CE2-S2B       | 1NC/1NO BBM                       | 22,5 N [5.06 lb]                 |  | -40 °C [-40 °F] low temp. construction                     | 2   |
|   |  | 24CE2-S3        | 1NC/1NO BBM                       | 22,5 N [5.06 lb]                 |  | -  | 3   |
|   |  | 24CE2-S6        | 1NC/1NO BBM                       | 22,5 N [5.06 lb]                 |  | -  | 6   |
|   |  | 24CE2-T1GM      | 1NC/1NO MBB                       | 22,5 N [5.06 lb]                 |  | Gold plated contacts, PUR cable                            | 1   |
|   |  | 24CE2-T2        | 1NC/1NO MBB                       | 22,5 N [5.06 lb]                 |  | -  | 2   |
|   |  | 24CE2-Y1        | 1NC                               | 22,5 N [5.06 lb]                 |  | -  | 1   |
|   |  | 24CE2-Y1B       | 1NC                               | 22,5 N [5.06 lb]                 |  | -40 °C [-40 °F] low temp. construction                     | 2   |
|   |  | 24CE2-Y2        | 1NC                               | 22,5 N [5.06 lb]                 |  | -  | 2   |
|   |  | 24CE2-Y2A       | 1NC                               | 22,5 N [5.06 lb]                 |  | Side-exit cable  | 2   |
|   |  | 24CE2-Y4        | 1NC                               | 22,5 N [5.06 lb]                 |  | -  | 4   |
|   |  | 24CE2-Y6A       | 1NC                               | 22,5 N [5.06 lb]                 |  | Side-exit cable  | 6   |

\* Positive opening to IEC/EN 60947-5-1-3.

\*\*For other cable lengths, contact your Honeywell provider.

# MICRO SWITCH™ Miniature Safety Switches, 24CE Series

Table 3. 24CE Order Guide, continued


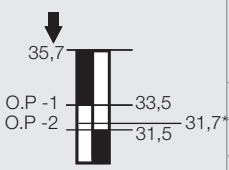
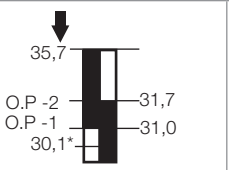
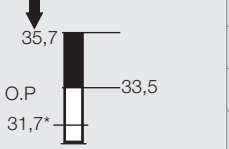

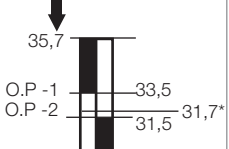
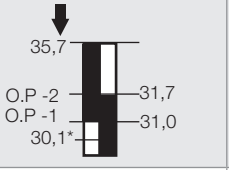
|   | Head Type   | Catalog Listing | Contact Arrangement [slow action] | Operating Force or Torque (max.) | Bar Chart<br>■ Contact Closed<br>□ Contact Open<br>mm or °                           | Options              | Harmonised Cenelec cable ** length (meters) |
|---|---|-----------------|-----------------------------------|----------------------------------|--|----------------------|---|
|    | Top roller plunger, perpendicular Ø12,7 x 4,7 mm wide [steel] | 24CE3-S2        | 1NC/1NO BBM                       | 22,5 N [5.06 lb]                 |    | -                    | 2   |
|   |   | 24CE3-S2A       | 1NC/1NO BBM                       | 22,5 N [5.06 lb]                 |    | Side-exit cable      | 2   |
|   |   | 24CE3-S3        | 1NC/1NO BBM                       | 22,5 N [5.06 lb]                 |    | -                    | 3   |
|   |   | 24CE3-Y1        | 1NC                               | 22,5 N [5.06 lb]                 |    | -                    | 1   |
|   |   | 24CE3-Y2        | 1NC                               | 22,5 N [5.06 lb]                 |    | -                    | 2   |
|   |   | 24CE3-Y2A       | 1NC                               | 22,5 N [5.06 lb]                 |    | Side-exit cable      | 2   |
|   | Front rotary [less lever]                                     | 24CE16-S1       | 1NC/1NO BBM                       | 0,30 Nm [2.66 in-lb]             |    | -                    | 1   |
|   |   | 24CE16-Y1       | 1NC                               | 0,30 Nm [2.66 in-lb]             |   | -                    | 1   |
|   |   | 24CE16-Y6       | 1NC                               | 0,30 Nm [2.66 in-lb]             |  | -                    | 6   |
|  | Top pin plunger, Ø7,1 mm [sst] w boot seal                    | 24CE18-S1       | 1NC/1NO BBM                       | 22,5 N [5.06 lb]                 |  | -                    | 1   |
|   |   | 24CE18-S2       | 1NC/1NO BBM                       | 22,5 N [5.06 lb]                 |  | -                    | 2   |
|   |   | 24CE18-Y7AM     | 1NC                               | 22,5 N [5.06 lb]                 |  | PUR cable, side exit | 7   |

\* Positive opening to IEC/EN 60947-5-1-3.

\*\*For other cable lengths, contact your Honeywell provider.

# MICRO SWITCH™ Miniature Safety Switches, 24CE Series

Table 3. 24CE Order Guide, continued

|   | Head Type  | Catalog Listing  | Contact Arrangement [slow action] | Operating Force or Torque (max.)   | Bar Chart<br>■ Contact Closed<br>□ Contact Open<br>mm or ° | Options | Harmonised Cenelec cable ** length (meters) |
|---|------------|------------------|-----------------------------------|--|--|---------|---|
|  <p>Top roller plunger, parallel Ø12,7 x 4,7 mm wide (steel) with boot seal</p>        | 24CE31-S1  | 1NC/1NO BBM      | 25,5 N [5.73 lb]                  |    | -  | 1       |   |
|   | 24CE31-S1A | 1NC/1NO BBM      | 25,5 N [5.73 lb]                  |  | Side-exit cable  | 1       |   |
|   | 24CE31-S1C | 1NC/1NO BBM      | 25,5 N [5.73 lb]                  |  | Side-exit cable, -40 °C [-40 °F] low temp. construction    | 1       |   |
|   | 24CE31-S2  | 1NC/1NO BBM      | 25,5 N [5.73 lb]                  |  | -  | 2       |   |
|   | 24CE31-S2A | 1NC/1NO BBM      | 25,5 N [5.73 lb]                  |  | Side-exit cable  | 2       |   |
|   | 24CE31-S2B | 1NC/1NO BBM      | 25,5 N [5.73 lb]                  |  | -40 °C [-40 °F] low temp. construction                     | 2       |   |
|   | 24CE31-S5  | 1NC/1NO BBM      | 25,5 N [5.73 lb]                  | -  | 5  |         |   |
|   | 24CE31-T2  | 1NC/1NO MBB      | 25,5 N [5.73 lb]                  |    | -  | 2       |   |
|   | 24CE31-Y1  | 1NC              | 25,5 N [5.73 lb]                  |  | -  | 1       |   |
|   | 24CE31-Y2  | 1NC              | 25,5 N [5.73 lb]                  |   | -  | 2       |   |
| 24CE31-Y3   | 1NC        | 25,5 N [5.73 lb] | -                                 |  | 3  |         |   |
| 24CE31-Y5   | 1NC        | 25,5 N [5.73 lb] | -                                 |  | 5  |         |   |
|  <p>Top roller plunger, perpendicular Ø12,7 x 4,7 mm wide [steel] with boot seal</p> | 24CE55-S1  | 1NC/1NO BBM      | 25,5 N [5.73 lb]                  |  | -  | 1       |   |
|   | 24CE55-T2A | 1NC/1NO MBB      | 25,5 N [5.73 lb]                  |  | Side-exit cable  | 2       |   |
|   | 24CE55-Y1  | 1NC              | 25,5 N [5.73 lb]                  |  | -  | 1       |   |
|   | 24CE55-Y2  | 1NC              | 25,5 N [5.73 lb]                  |  | -  | 2       |   |

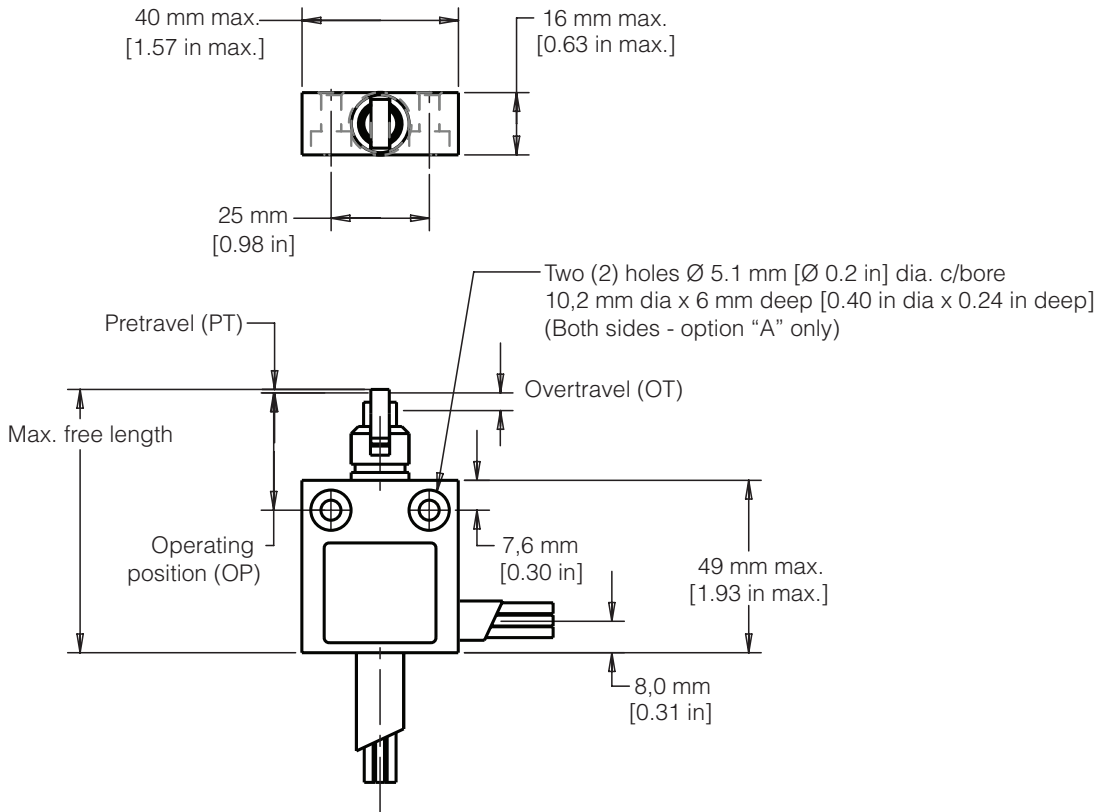
\* Positive opening to IEC/EN 60947-5-1-3.

\*\*For other cable lengths, contact your Honeywell provider.

# MICRO SWITCH™ Miniature Safety Switches, 24CE Series

## DIMENSIONAL DRAWINGS

Figure 2. 24CE General Dimensions

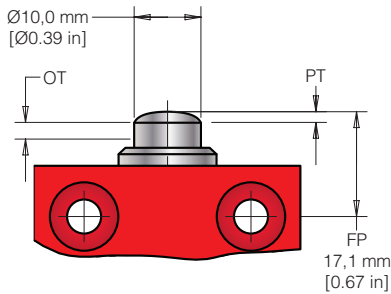




# MICRO SWITCH™ Miniature Safety Switches, 24CE Series

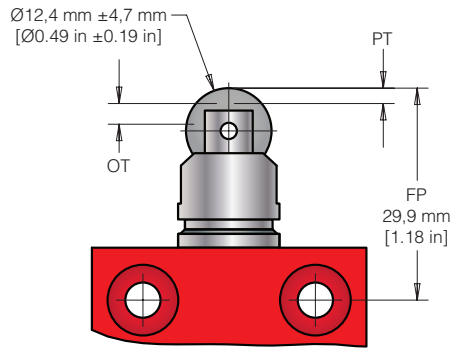
## DIMENSIONAL DRAWINGS mm [in]

Figure 3. 24CE1 Dimensions



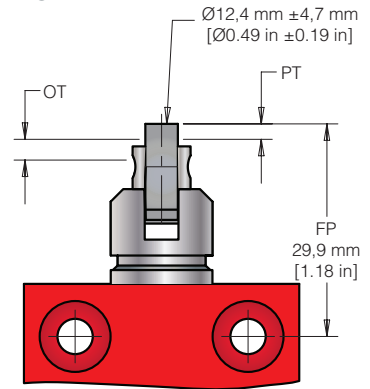
| Pin Plunger<br>Operating<br>Characteristics | S                | T                | Y              |
|---|------------------|------------------|----------------|
|   | 1NC/1NO<br>(BBM) | 1NC/1NO<br>(MBB) | 1NC            |
| Free position<br>(±0,4 [0.02])              | 17,1<br>[0.67]   | 17,1<br>[0.67]   | 17,1<br>[0.67] |
| Pretravel (max.)                            | 2,2 [0.09]       | 4,0 [0.16]       | 2,2 [0.09]     |
| Overtravel (min.)                           | 1,0 [0.04]       | 0,5 [0.02]       | -              |

Figure 4. 24CE2 Dimensions



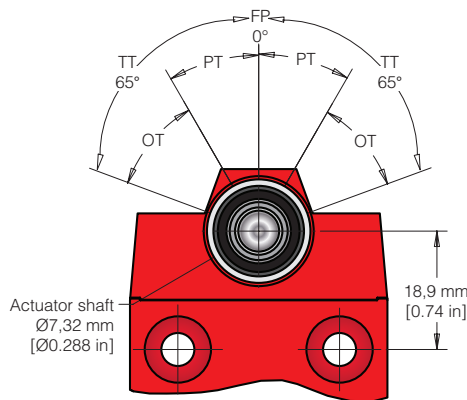
| Roller Plunger<br>Operating<br>Characteristics | S                | T                | Y              |
|--|------------------|------------------|----------------|
|  | 1NC/1NO<br>(BBM) | 1NC/1NO<br>(MBB) | 1NC            |
| Free position<br>(±0,4 [0.02])                 | 29,9<br>[1.18]   | 29,9<br>[1.18]   | 29,9<br>[1.18] |
| Pretravel (max.)                               | 2,2 [0.09]       | 4,0 [0.16]       | 2,2 [0.09]     |
| Overtravel (min.)                              | 1,0 [0.04]       | 0,5 [0.02]       | -              |

Figure 5. 24CE3 Dimensions



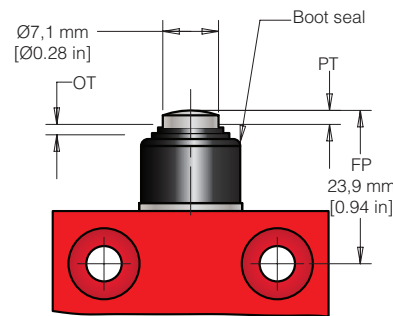
| Roller Plunger<br>Operating<br>Characteristics | S                | T                | Y              |
|--|------------------|------------------|----------------|
|  | 1NC/1NO<br>(BBM) | 1NC/1NO<br>(MBB) | 1NC            |
| Free position<br>(±0,4 [0.02])                 | 29,9<br>[1.18]   | 29,9<br>[1.18]   | 29,9<br>[1.18] |
| Pretravel (max.)                               | 2,2 [0.09]       | 4,0 [0.16]       | 2,2 [0.09]     |
| Overtravel (min.)                              | 1,0 [0.04]       | 0,5 [0.02]       | -              |

Figure 6. 24CE16 Dimensions



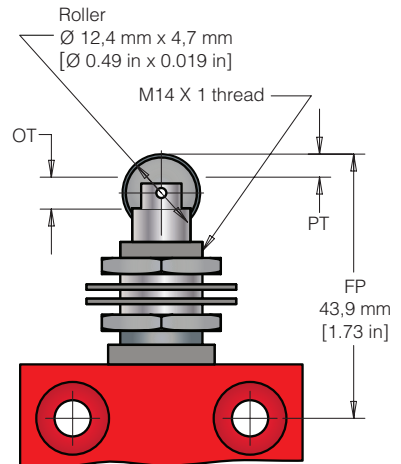
| Side Rotary<br>Operating<br>Characteristics | S                | T                | Y   |
|---|------------------|------------------|-----|
|   | 1NC/1NO<br>(BBM) | 1NC/1NO<br>(MBB) | 1NC |
| Free position<br>(degrees)                  | 0                | 0                | 0   |
| Pretravel (max.<br>degrees)                 | 26               | 48               | 26  |
| Total travel (min.<br>degrees)              | 65               | 65               | 65  |

Figure 7. 24CE18 Dimensions



| Pin Plunger<br>with Boot Seal<br>Operating<br>Characteristics | S                | T                | Y              |
|---|------------------|------------------|----------------|
|   | 1NC/1NO<br>(BBM) | 1NC/1NO<br>(MBB) | 1NC            |
| Free position<br>(±0,4 [0.02])                                | 23,9<br>[0.94]   | 23,9<br>[0.94]   | 23,9<br>[0.94] |
| Pretravel (max.)  | 2,2 [0.09]       | 4,0 [0.16]       | 2,2 [0.09]     |
| Overtravel (min.)   | 1,0 [0.04]       | 0,5 [0.02]       | -              |

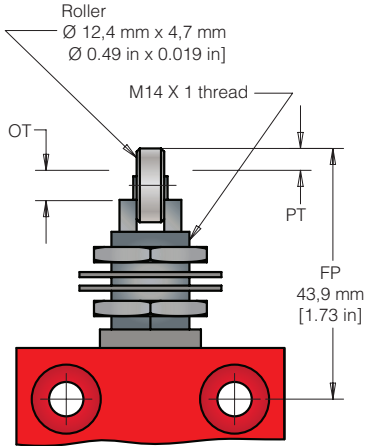
Figure 8. 24CE28 Dimensions



| Top Roller<br>Plunger with<br>Panel Mount<br>Operating<br>Characteristics | S                | T                | Y              |
|---|------------------|------------------|----------------|
|   | 1NC/1NO<br>(BBM) | 1NC/1NO<br>(MBB) | 1NC            |
| Free position<br>(±0,4 [0.02])  | 43,9<br>[1.73]   | 43,9<br>[1.73]   | 43,9<br>[1.73] |
| Pretravel (max.)  | 2,2 [0.09]       | 4,0 [0.16]       | 2,2 [0.09]     |
| Overtravel (min.)   | 1,0 [0.04]       | 0,5 [0.02]       | -              |

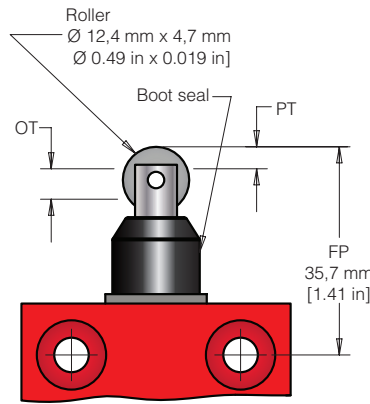
# MICRO SWITCH™ Miniature Safety Switches, 24CE Series

Figure 9. 24CE29 Dimensions



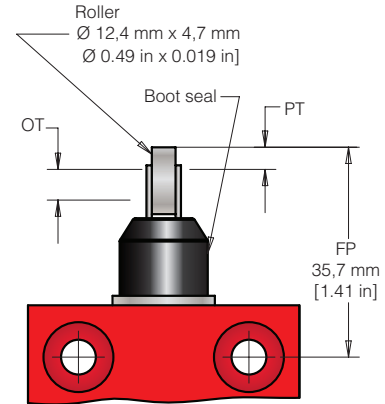
| Top Roller Plunger with Panel Mount Operating Characteristics | S<br>1NC/1NO<br>(BBM) | T<br>1NC/1NO<br>(MBB) | Y<br>1NC       |
|---|-----------------------|-----------------------|----------------|
| Free position<br>(±0,4 [0.02])                                | 43,9<br>[1.73]        | 43,9<br>[1.73]        | 43,9<br>[1.73] |
| Pretravel (max.)  | 2,2 [0.09]            | 4,0 [0.16]            | 2,2 [0.09]     |
| Overtravel (min.)   | 1,0 [0.04]            | 0,5 [0.02]            | -              |

Figure 10. 24CE31 Dimensions



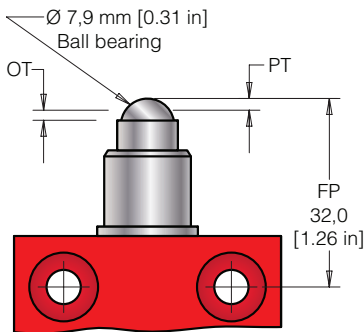
| Roller Plunger with Boot Seal Operating Characteristics | S<br>1NC/1NO<br>(BBM) | T<br>1NC/1NO<br>(MBB) | Y<br>1NC       |
|---|-----------------------|-----------------------|----------------|
| Free position<br>(±0,4 [0.02])                          | 35,7<br>[1.41]        | 35,7<br>[1.41]        | 35,7<br>[1.41] |
| Pretravel (max.)  | 2,2 [0.09]            | 4,0 [0.16]            | 2,2 [0.09]     |
| Overtravel (min.)                                       | 1,0 [0.04]            | 0,5 [0.02]            | -              |

Figure 11. 24CE55 Dimensions



| Roller Plunger with Boot Seal Operating Characteristics | S<br>1NC/1NO<br>(BBM) | T<br>1NC/1NO<br>(MBB) | Y<br>1NC       |
|---|-----------------------|-----------------------|----------------|
| Free position<br>(±0,4 [0.02])                          | 35,7<br>[1.41]        | 35,7<br>[1.41]        | 35,7<br>[1.41] |
| Pretravel (max.)  | 2,2 [0.09]            | 4,0 [0.16]            | 2,2 [0.09]     |
| Overtravel (min.)                                       | 1,0 [0.04]            | 0,5 [0.02]            | -              |

Figure 12. 24CE66 Dimensions



| Ball Bearing Plunger Operating Characteristics | S<br>1NC/1NO<br>(BBM) | T<br>1NC/1NO<br>(MBB) | Y<br>1NC       |
|--|-----------------------|-----------------------|----------------|
| Free position<br>(±0,4 [0.02])                 | 32,0<br>[1.26]        | 32,0<br>[1.26]        | 32,0<br>[1.26] |
| Pretravel (max.)                               | 2,2 [0.09]            | 4,0 [0.16]            | 2,2 [0.09]     |
| Overtravel (min.)                              | 1,0 [0.04]            | 0,5 [0.02]            | -              |

Table 4. Levers for Use with 24CE Front Rotary Switches

|   | Catalog Listing | Rod/Roller Material | Rod/Roller Dia. mm [in] | Roller Width mm [in] |
|---|-----------------|---------------------|-------------------------|----------------------|
| <b>Fixed length lever; 38,1 mm [1.5 in] radius</b>        |                 |                     |                         |                      |
|   | GLZ51A          | Nylon               | 19,0 [0.75]             | 6,35 [0.25]          |
|   | GLZ51B          | Steel               | 19,0 [0.75]             | 6,35 [0.25]          |
|   | GLZ51C          | Nylon               | 25,4 [1.00]             | 12,7 [0.50]          |
|   | GLZ51E          | Bronze              | 19,0 [0.75]             | 6,35 [0.25]          |
|   | GLZ51T          | SST                 | 19,0 [0.75]             | 9,5 [0.38]           |
| <b>Fixed length offset lever; 38,1 mm [1.5 in] radius</b> |                 |                     |                         |                      |
|   | GLZ55A          | Nylon               | 19,0 [0.75]             | 6,35 [0.25]          |
|   | GLZ55B          | Steel               | 19,0 [0.75]             | 6,35 [0.25]          |
|   | GLZ55E          | Bronze              | 19,0 [0.75]             | 6,35 [0.25]          |

## ADDITIONAL MATERIALS

The following associated literature is available on the Honeywell web site at [sensing.honeywell.com](http://sensing.honeywell.com):

- Product line guide
- Product range guide
- Installation instructions
- Certificates: SIL
- Certificates: Electrical endurance
- Certificates: Mechanical endurance
- Safety switch quick reference guide

### Find out more

Honeywell serves its customers through a worldwide network of sales offices, representatives and distributors. For application assistance, current specifications, pricing or name of the nearest Authorized Distributor, contact your local sales office. To learn more about Honeywell's sensing and control products, call **+1-815-235-6847** or **1-800-537-6945**, visit **[sensing.honeywell.com](http://sensing.honeywell.com)**, or e-mail inquiries to **[info.sc@honeywell.com](mailto:info.sc@honeywell.com)**

Sensing and Productivity Solutions  
Honeywell  
1985 Douglas Drive North  
Golden Valley, MN 55422  
**[honeywell.com](http://honeywell.com)**

### **WARNING** **RISK TO LIFE OR PROPERTY**

Never use this product for an application involving serious risk to life or property without ensuring that the system as a whole has been designed to address the risks, and that this product is properly rated and installed for the intended use within the overall system.

**Failure to comply with these instructions could result in death or serious injury.**

### **WARNING** **MISUSE OF DOCUMENTATION**

- The information presented in this product sheet is for reference only. Do not use this document as a product installation guide.
- Complete installation, operation, and maintenance information is provided in the instructions supplied with each product.

**Failure to comply with these instructions could result in death or serious injury.**

### Warranty/Remedy

Honeywell warrants goods of its manufacture as being free of defective materials and faulty workmanship. Honeywell's standard product warranty applies unless agreed to otherwise by Honeywell in writing; please refer to your order acknowledgement or consult your local sales office for specific warranty details. If warranted goods are returned to Honeywell during the period of coverage, Honeywell will repair or replace, at its option, without charge those items it finds defective. **The foregoing is buyer's sole remedy and is in lieu of all other warranties, expressed or implied, including those of merchantability and fitness for a particular purpose. In no event shall Honeywell be liable for consequential, special, or indirect damages.**

While we provide application assistance personally, through our literature and the Honeywell web site, it is up to the customer to determine the suitability of the product in the application.

Specifications may change without notice. The information we supply is believed to be accurate and reliable as of this printing. However, we assume no responsibility for its use.

# Honeywell