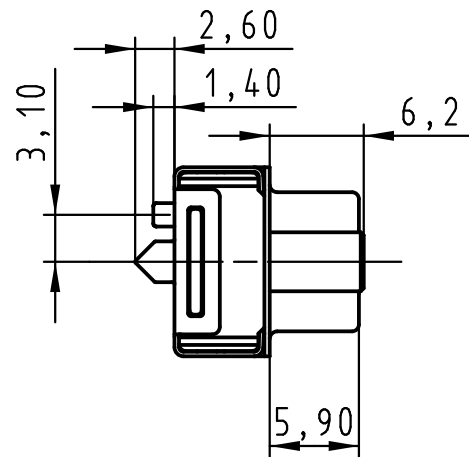
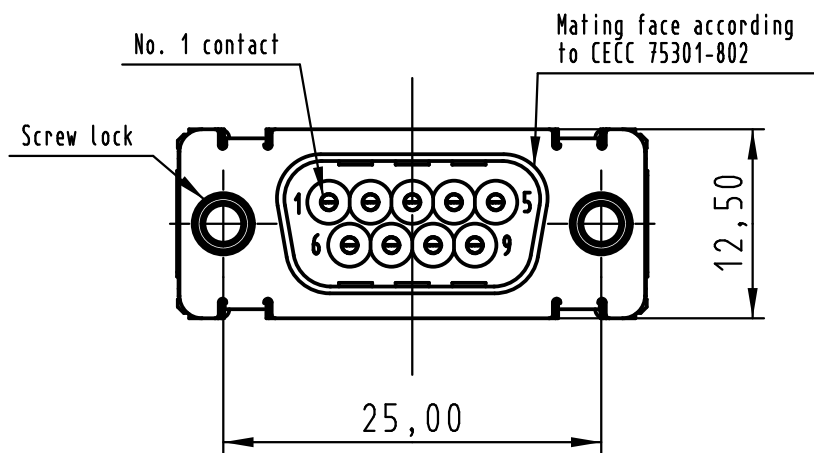
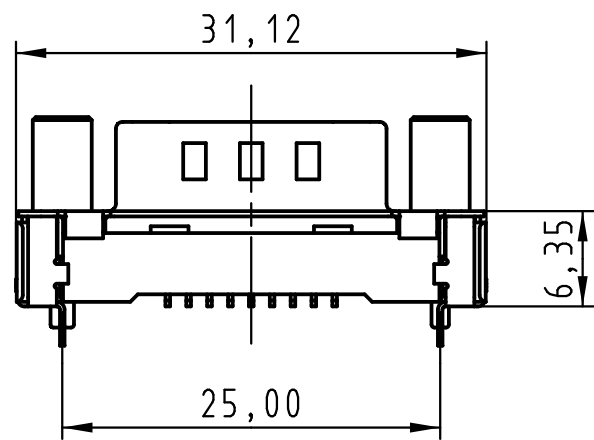
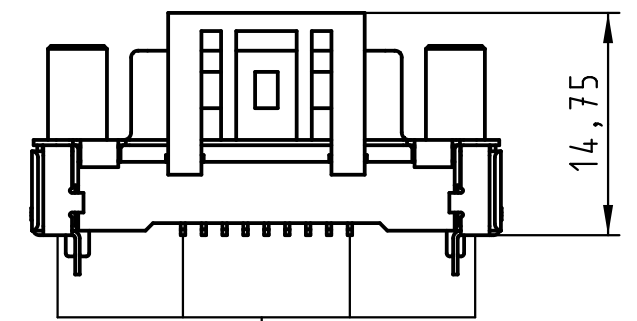


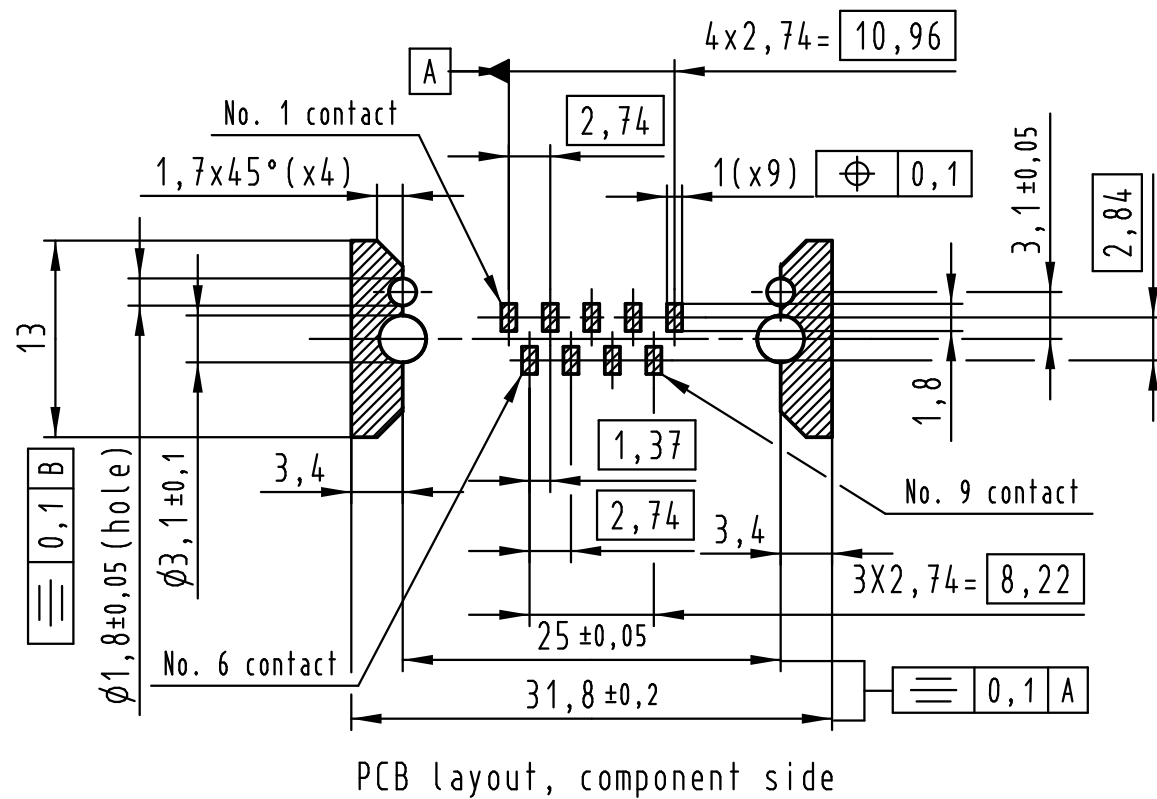
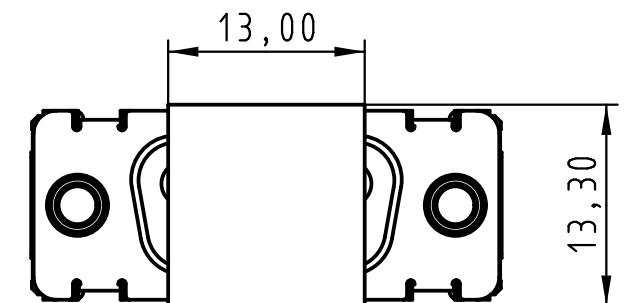
All rights reserved



Load vacuum cover



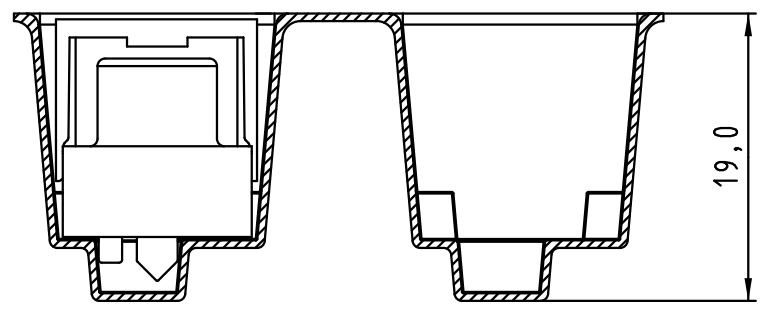
0.10
(All contacts and grounds)



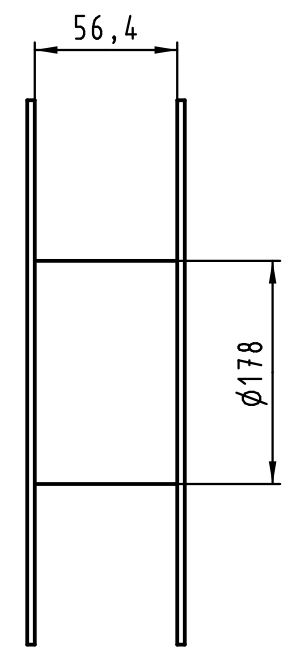
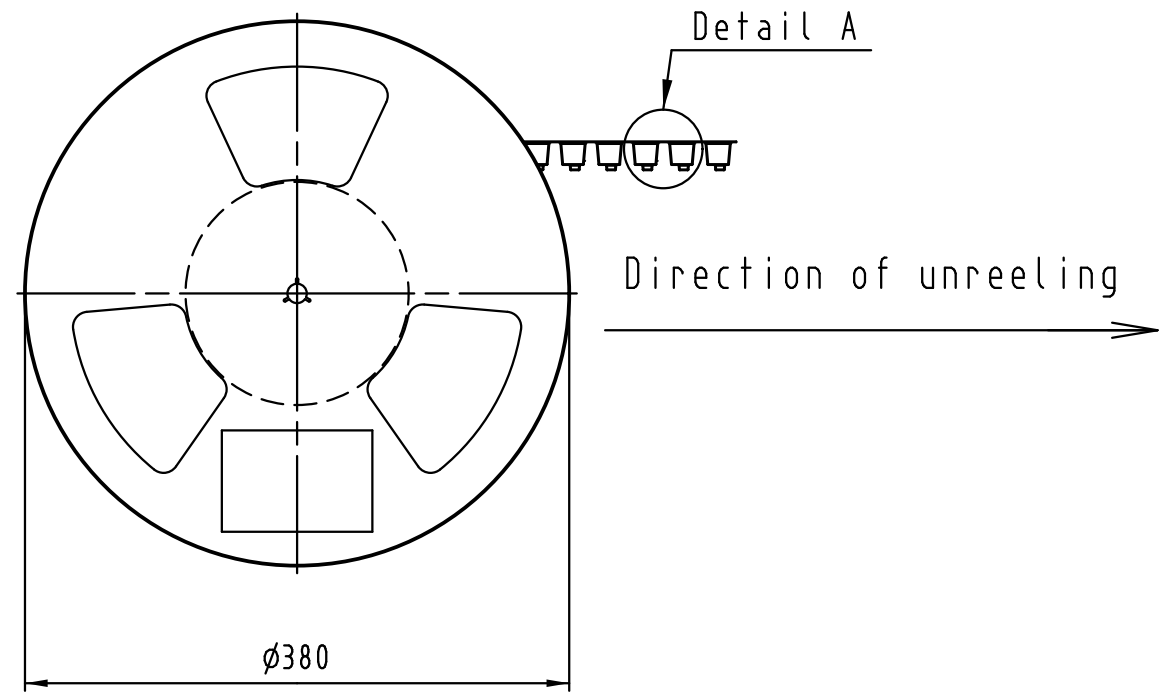
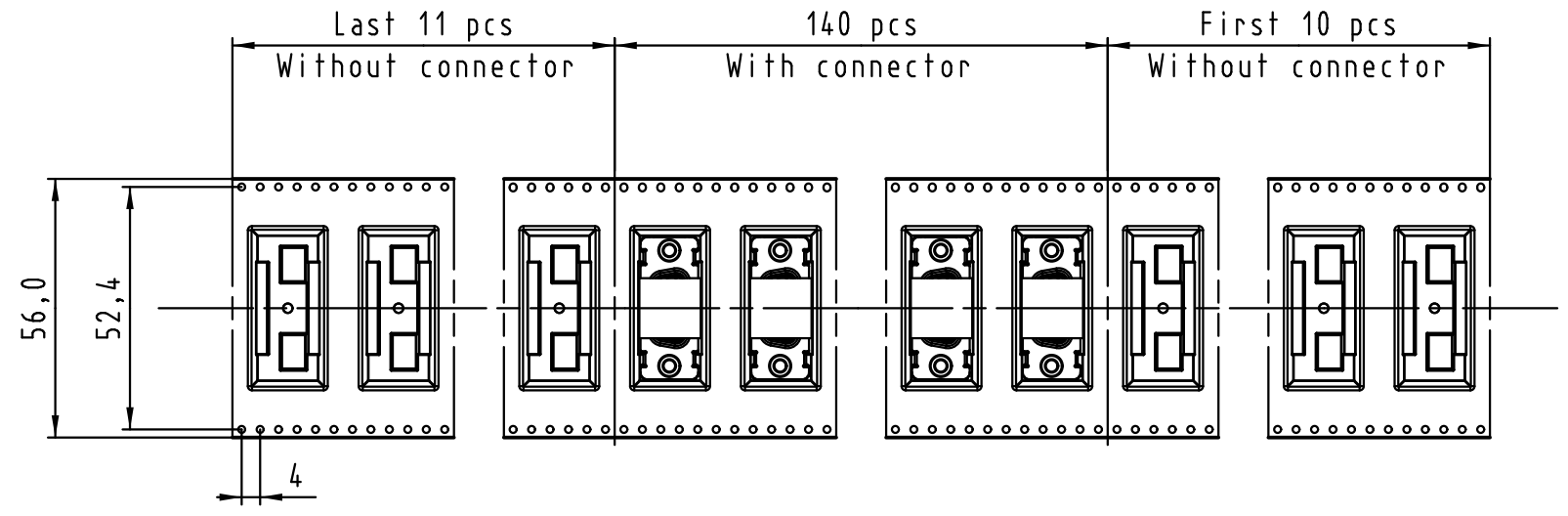
Max. Temperature: 260° during 10 seconds.

0955 169 3821 741	1	M3	Black insulator	Reel Packaging: 140 connectors (See details on page2/2)	
0955 169 3822 741	1	4-40 UNC			
0955 169 6821 741	2	M3			
0955 169 6822 741	2	4-40 UNC			
0955 169 7821 741	3	M3			
0955 169 7822 741	3	4-40 UNC			
Part number	PL	Screw lock	Index designation		
All Dimensions in mm Original Size DIN A 3		Techn. Character.	Free size tolerances		
			2:1	D-Sub SMT, 9 poles Male, Straight with screw locks and ground pins	
		Dat.			Name
		Detail.			Scale
		Insp.	Name		
		Stand.	Name		
EC04070	17-Nov-11	Johnson.S	Zhuhai HARTING Limited	TB 09 55 169 x82x	
Mod.	Dat.	Name		Page 1/2	
				Sub.	

All rights reserved



Detail A



See TB 09 55 169 x82x folio 1/2 for connector dimensions and PCB layout

Packaging in accordance with EIA 481-2.

0955 169 3821 741	1	M3	Black insulator	Reel Packaging: 140 connectors
0955 169 3822 741	1	4-40 UNC		
0955 169 6821 741	2	M3		
0955 169 6822 741	2	4-40 UNC		
0955 169 7821 741	3	M3		
0955 169 7822 741	3	4-40 UNC		
Part number	PL	Screw lock	Index designation	

	All Dimensions in mm Original Size DIN A 3			Techn. Character.			Free size tolerances		
EC04070	17-Nov-11	Johnson.S	Zhuhai HARTING Limited			TB 09 55 169 x82x			
Mod.	Dat.	Name				Page 2/2 Sub.			