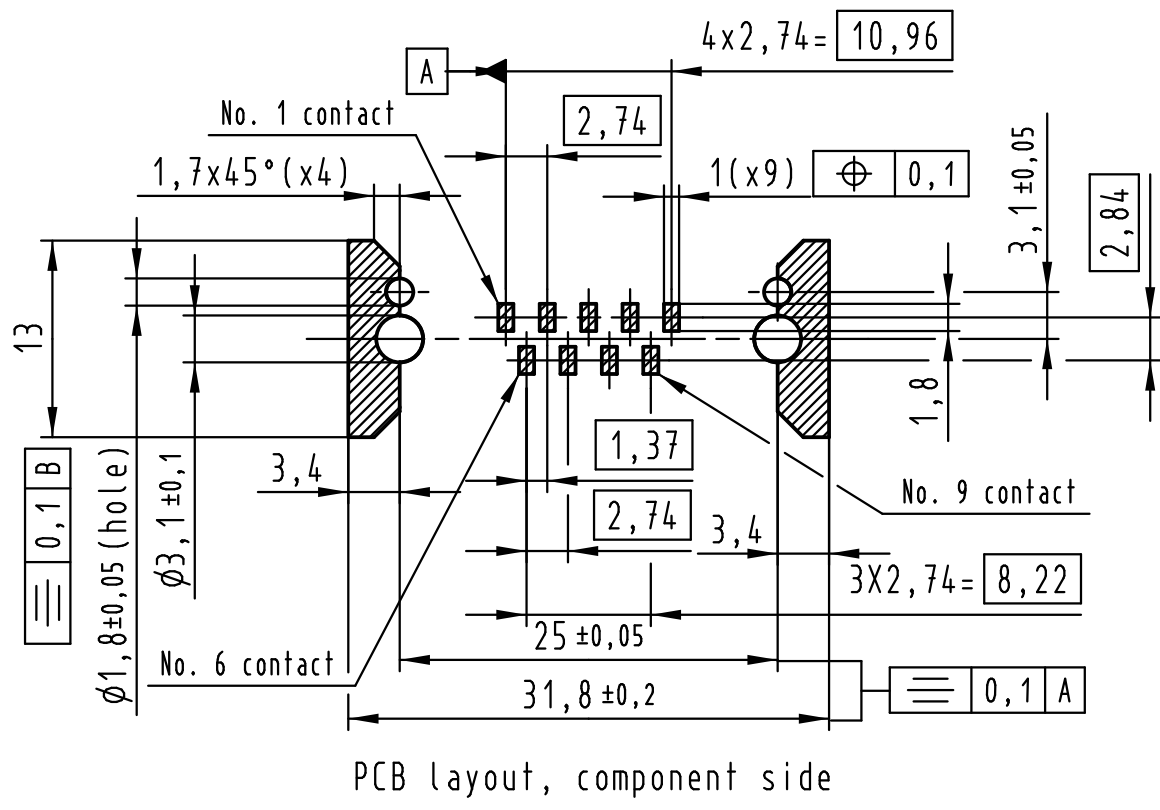
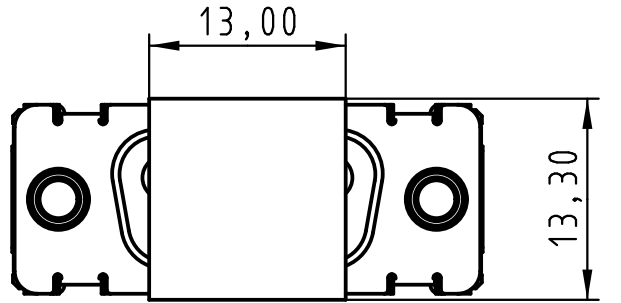
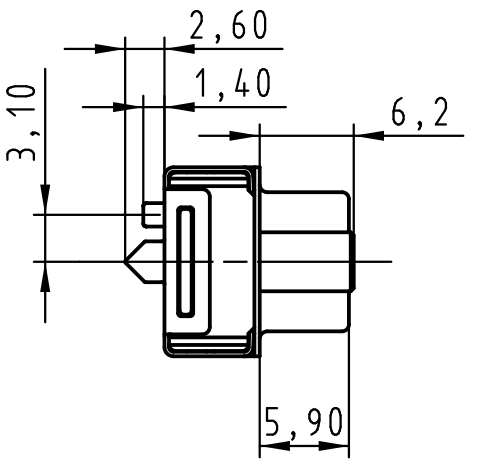
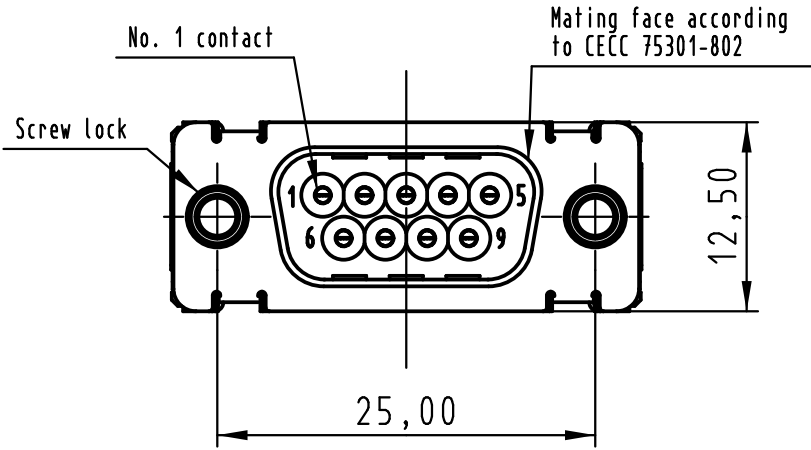
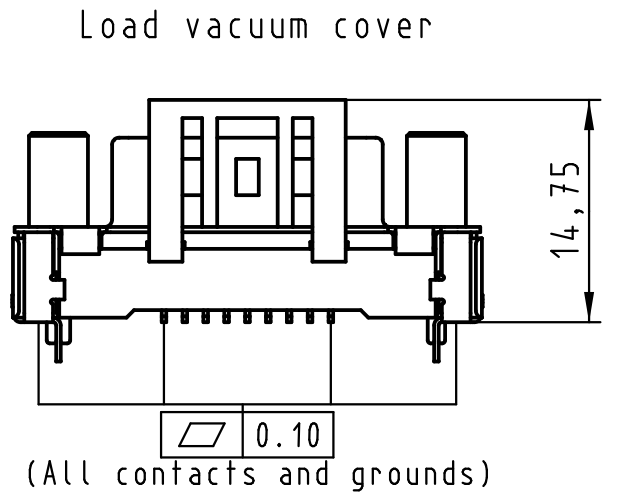
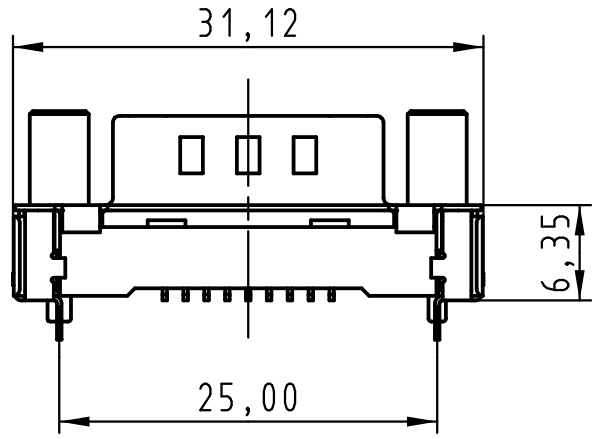


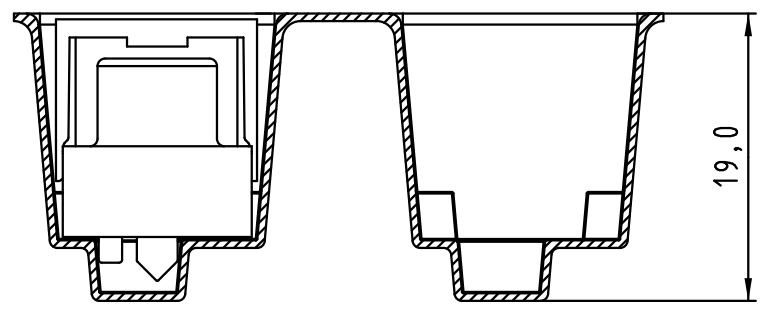
All rights reserved



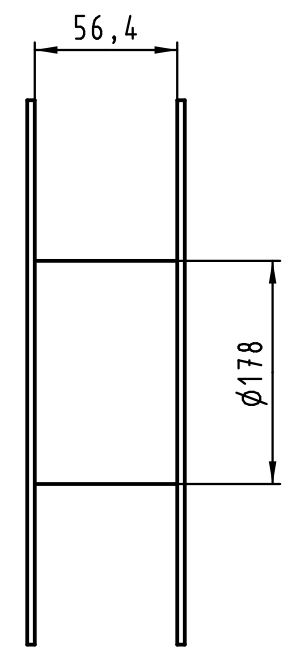
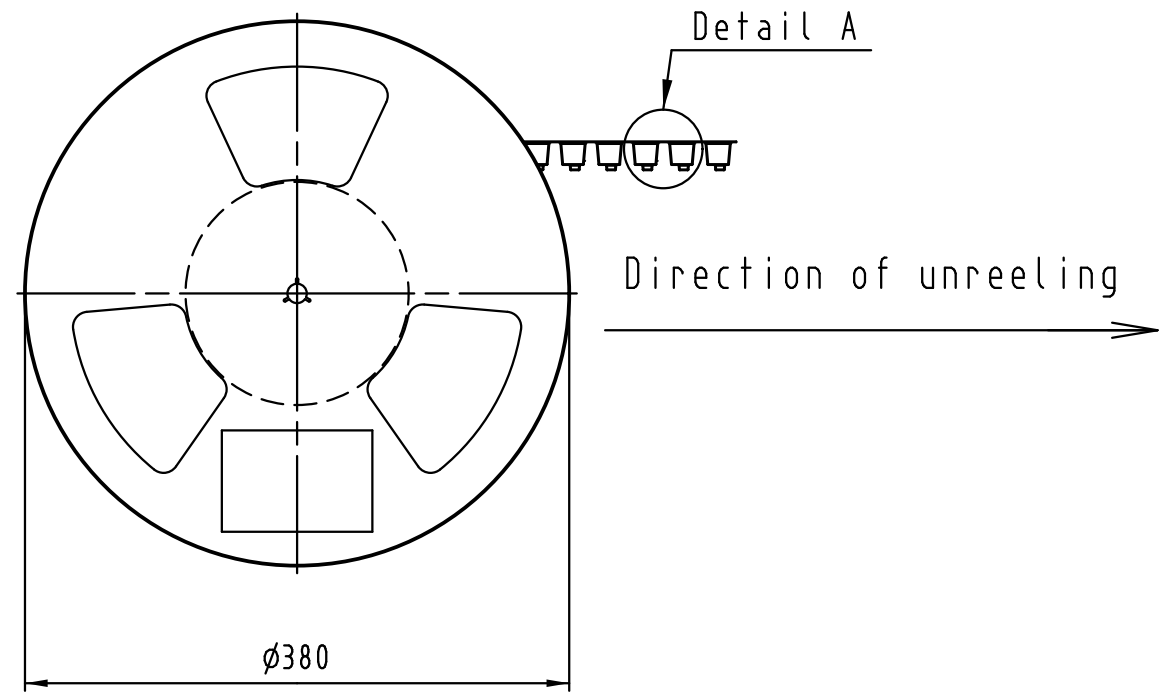
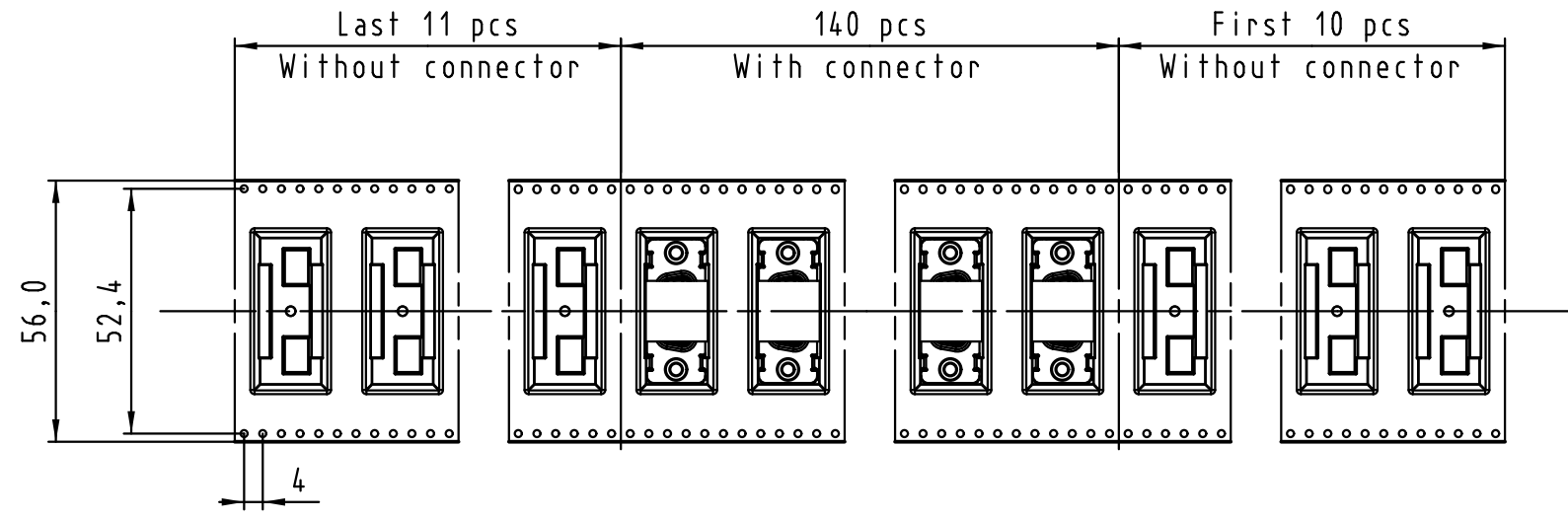
Max. Temperature: 260° during 10 seconds.

0955 169 3821 741	1	M3	Black insulator	Reel Packaging: 140 connectors (See details on page2/2)														
0955 169 3822 741	1	4-40 UNC																
0955 169 6821 741	2	M3																
0955 169 6822 741	2	4-40 UNC																
0955 169 7821 741	3	M3																
0955 169 7822 741	3	4-40 UNC																
Part number	PL	Screw lock	Index designation															
All Dimensions in mm Original Size DIN A 3		Techn. Character.		Free size tolerances														
			<table border="1"> <tr> <td></td> <td>Dat.</td> <td>Name</td> <td>Scale</td> </tr> <tr> <td>Detail.</td> <td>14-Sep-11</td> <td>Johnson.S</td> <td rowspan="3">2:1</td> </tr> <tr> <td>Insp.</td> <td>17-Nov-11</td> <td>Steven.W</td> </tr> <tr> <td>Stand.</td> <td>17-Nov-11</td> <td>Steven.W</td> </tr> </table>			Dat.	Name	Scale	Detail.	14-Sep-11	Johnson.S	2:1	Insp.	17-Nov-11	Steven.W	Stand.	17-Nov-11	Steven.W
	Dat.	Name	Scale															
Detail.	14-Sep-11	Johnson.S	2:1															
Insp.	17-Nov-11	Steven.W																
Stand.	17-Nov-11	Steven.W																
EC04070	17-Nov-11	Johnson.S	D-Sub SMT, 9 poles Male, Straight with screw locks and ground pins															
Mod.	Dat.	Name	Zhuhai HARTING Limited	TB 09 55 169 x82x Sub.														
				Page 1/2														

All rights reserved



Detail A



See TB 09 55 169 x82x folio 1/2 for connector dimensions and PCB layout

Packaging in accordance with EIA 481-2.

0955 169 3821 741	1	M3	Black insulator	Reel Packaging: 140 connectors
0955 169 3822 741	1	4-40 UNC		
0955 169 6821 741	2	M3		
0955 169 6822 741	2	4-40 UNC		
0955 169 7821 741	3	M3		
0955 169 7822 741	3	4-40 UNC		
Part number	PL	Screw lock	Index designation	

	All Dimensions in mm Original Size DIN A 3			Techn. Character.			Free size tolerances		
EC04070	17-Nov-11	Johnson.S	Zhuhai HARTING Limited			TB 09 55 169 x82x			Page 2/2
Mod.	Dat.	Name				Sub.			