



Cable to Cable (Jumper Assembly)

.050"

9 thru 100 Contacts

Rugged Metal

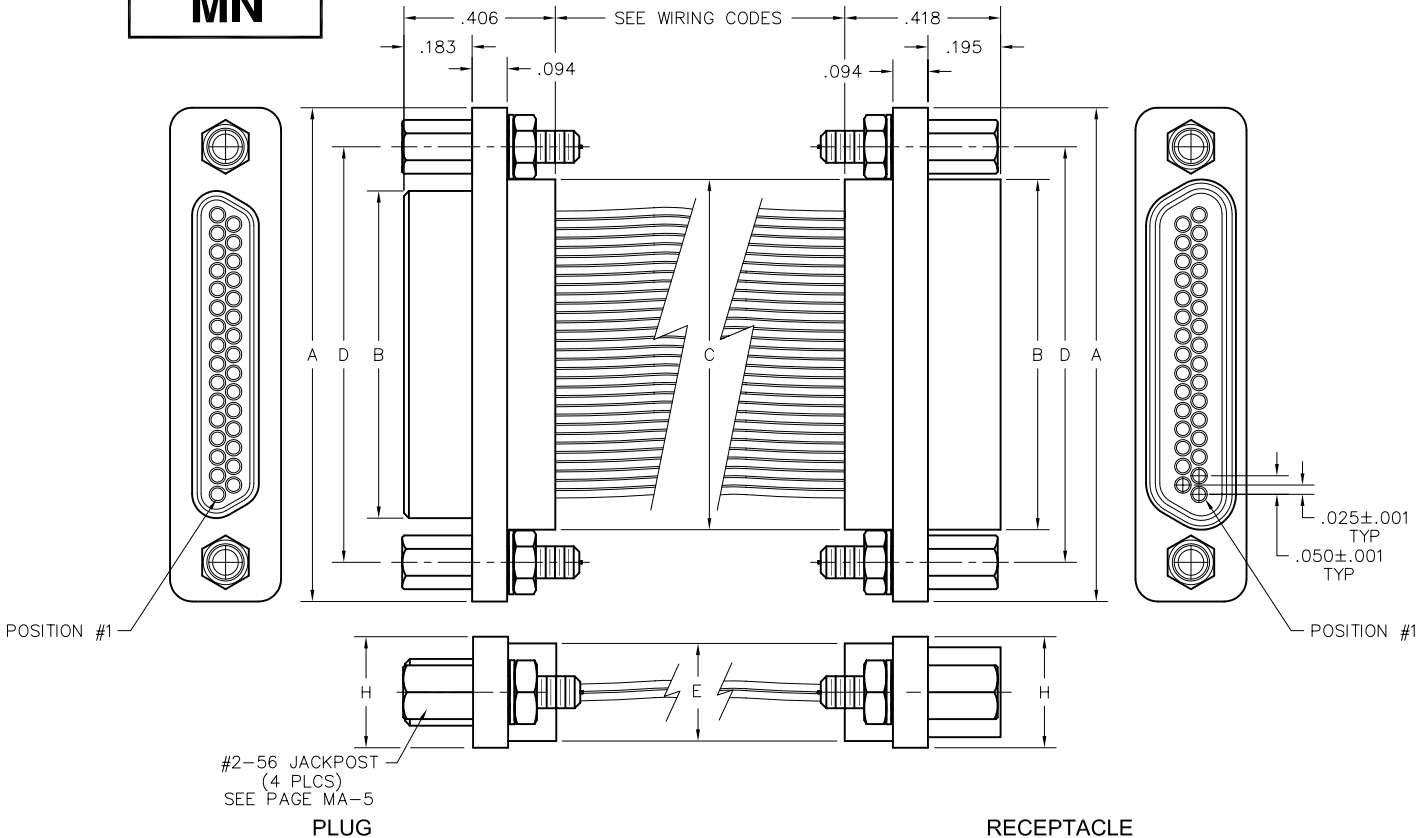
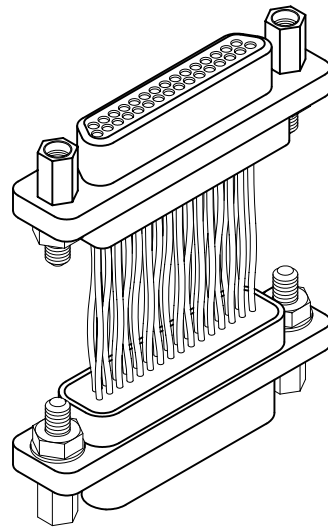
MM

Rugged Plastic

MN

MM-2J2-031-PS1-22WA
(METAL)

MN-2J1-031-PS1-22WA
(PLASTIC)



SIZE	CONTACT ROWS	DIMENSIONS						H	HARDWARE
		A	B		C	D	E		
			PLUG MAX	RCPT MAX			POTTING WELL MAX		
9	2	.775	.334	.400	.390	.565	.270	.298	#2-56 UNC THD (.092 DIA THRU)
15		.925	.484	.550	.540	.715			
21		1.075	.634	.700	.690	.865			
25		1.175	.734	.800	.790	.965			
31		1.325	.884	.950	.940	1.115			
37		1.475	1.034	1.100	1.090	1.265			
51**		1.825	1.384	1.450	1.440	1.615			
51	3	1.425	.984	1.050	1.040	1.215	.310	.341	#4-40 UNC THD (.147 DIA THRU)
69*		1.725	1.284	1.350	1.340	1.515			
100		2.160	1.384	1.508	1.432	1.800			

* = 69 POSITION CONNECTORS ARE AVAILABLE IN METAL ONLY.
 ** = 2 ROW, 51 POSITION CONNECTORS ARE AVAILABLE IN METAL ONLY,
 (NON MIL-SPEC INTERFACE).

RECEPTACLE

