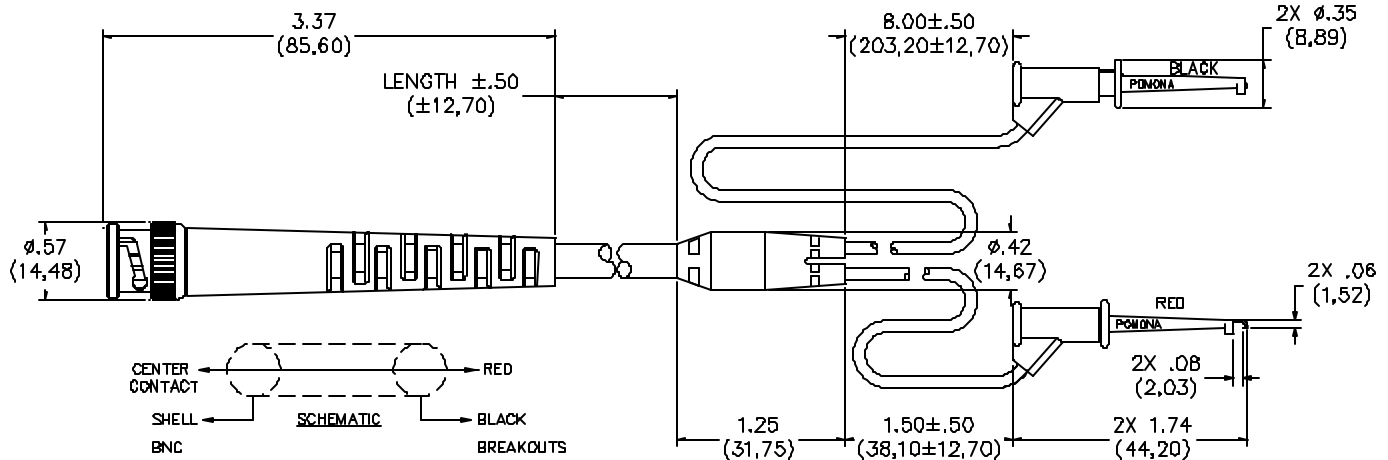


## Model 4777 BNC (Male) With Strain Relief To Micrograbber® Test Clips



### FEATURES:

- BNC, grabbers and breakout wires are molded directly to the cable for added pull strength.
- Micrograbber® Test Clip hook is gold plated Beryllium Copper for durability and low contact resistance.
- BNC connector features PTFE dielectric and gold plated center contact for optimal electrical performance and BNC body is tarnish resistant.

BNC (Male): Body: Brass, Nickel Plated

Center Pin: Brass, Gold Plated

Dielectric: PTFE

Impedance: 50 Ohms

Strain Relief and Molded Breakout: PVC, Color: Black

Breakout Wires: 20 AWG Stranding 41 x 36 t. c., PVC Insulated, .087" (2,21 mm) O.D.

Color: One Black, One Red Marking: Pomona 3785-X-xx

Micrograbber: Contact, Beryllium Copper, Gold Plated

Spring, Stainless Steel

Insulation: Nylon 6 (Fire Retardant UL94V-0), Color Matches Wire Color

### CABLE OFFERING:

Cable RG58C/U	Cable: RG174/U
Part Number: 4777-C-xx	Part Number: 4777-K-xx
Capacitance per Ft.: 30.8	Capacitance per Ft.: 30.8
Impedance: 50 Ohms Nominal	Impedance: 50 Ohms Nominal
Cable O.D. 0.195" (5,0 mm) Nominal	Cable O.D.: 0.100" (2,5 mm) Nominal

### RATINGS:

Operating Voltage: 150 VRMS/VAC Max

Operating Temperature: 50°C (+122°F) Max.

**ORDERING INFORMATION:** Model 4777-X-xx, X = Cable Type, C = RG58C/U, K = RG174/U

xx = Length in inches. Std. Lengths: 24" (60,96 cm) , 36" (91,44 cm) , 48" (121,92 cm) & 60" (152,40 cm)

Additional cable lengths can be quoted upon request.

All dimensions are in inches and metric. All specifications are to the latest revisions. Specifications are subject to change without notice.  
Registered trademarks are the property of their respective companies. Made in USA

Sales: 800-490-2361 Fax: 888-403-3360  
Technical Assistance: 800-241-2060

PomonaACCESS 90402 (800) 444-6785 or (425) 446-6010  
More drawings available at [www.pomonaelectronics.com](http://www.pomonaelectronics.com)