



**POWER<sup>™</sup> STRIP<sup>™</sup> 40**



(6.35 mm) .250"

**PESS SERIES**

# POWERSTRIP<sup>™</sup>/40 CABLE ASSEMBLY

**SPECIFICATIONS**

For complete specifications see [www.samtec.com?PESS](http://www.samtec.com?PESS)

**Insulator Material:** Nylon Black

**Contact Material:** Copper Alloy

**Plating:** Sn or Au over 50 μ" (1.27 μm) Ni

**Latch:** Nylon Black

**Operating Temp Range:** -30 °C to +105 °C

**Voltage Rating:** 600 VAC

846 VDC

**Wire:** 10 or 12 AWG

**RoHS Compliant:** Yes

Mates with:  
**PET**

PESS/PET	
WIRE GAUGE	CURRENT RATING (PER PIN)
10 AWG	34.5 A
12 AWG	29.7 A
1 PIN POWERED	

Dual leaf blade contacts

10 or 12 AWG discrete wire cable



(6.35 mm) .250" pitch

Positive latching system

**RECOGNITIONS**

For complete scope of recognitions see [www.samtec.com/quality](http://www.samtec.com/quality)

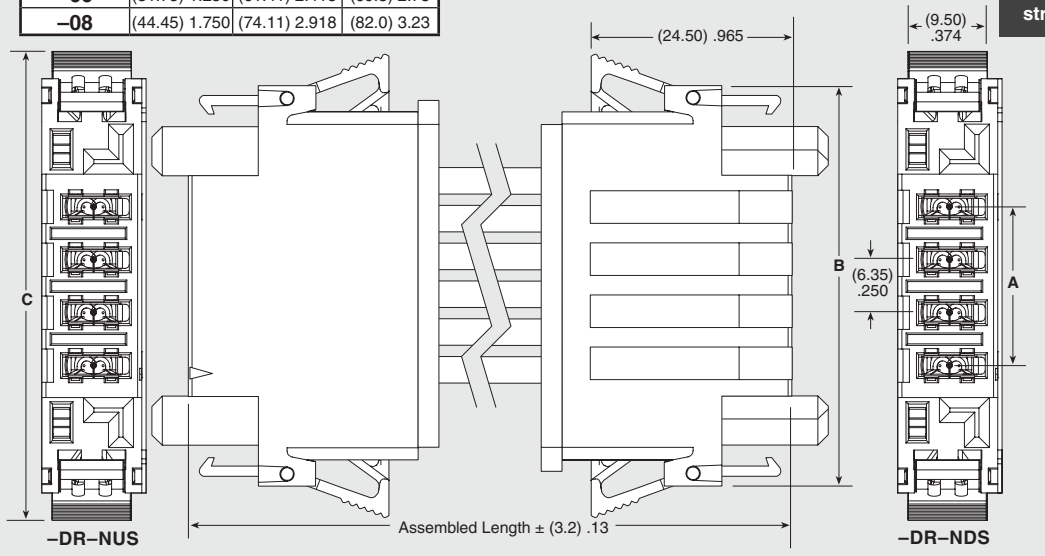


**COMPONENTS**

- For body, see [www.samtec.com?IPS6](http://www.samtec.com?IPS6)
- For contacts, see [www.samtec.com?CC10L](http://www.samtec.com?CC10L) or [www.samtec.com?CC10R](http://www.samtec.com?CC10R)

PESS	NO. OF POSITIONS	WIRE GAUGE	PLATING OPTION	ASSEMBLED LENGTH	END 1 OPTION	END 2 OPTION
-02, -04, -06, -08	-10 -12	-L = 10 μ" (0.25 μm) Gold on contact, Matte Tin on tail -T = Matte Tin	"XX.XX" = Wire Length in inches (152.4 mm) 06.00" min.	-SR = Single End -DR = Double End	(Available with -DR only) -NUS = Notch up, straight -NDS = Notch down, straight	

NO. OF POSITIONS	A	B	C
-02	(6.35) .250	(36.01) 1.418	(43.9) 1.73
-04	(19.05) .750	(48.71) 1.918	(56.6) 2.23
-06	(31.75) 1.250	(61.41) 2.418	(69.3) 2.73
-08	(44.45) 1.750	(74.11) 2.918	(82.0) 3.23



**ALSO AVAILABLE (MOQ Required)**

- Other platings

**Note:** Some sizes, styles and options are non-standard, non-returnable.

Due to technical progress, all designs, specifications and components are subject to change without notice.

[WWW.SAMTEC.COM](http://WWW.SAMTEC.COM)

All parts within this catalog are built to Samtec's specifications. Customer specific requirements must be approved by Samtec and identified in a Samtec customer-specific drawing to apply.