



**POWERSTRIP™/40**



(6.35 mm) .250"

**PESS SERIES**

# POWERSTRIP™/40 CABLE ASSEMBLY

**SPECIFICATIONS**

For complete specifications see [www.samtec.com?PESS](http://www.samtec.com?PESS)

**Insulator Material:** Nylon Black

**Contact Material:** Copper Alloy

**Plating:** Sn or Au over 50 μm (1.27 μm) Ni

**Latch:** Nylon Black

**Operating Temp Range:** -30 °C to +105 °C

**Voltage Rating:** 600 VAC

846 VDC

**Wire:** 10 or 12 AWG

**RoHS Compliant:** Yes

**Mates with:** PET

| PESS/PET      |                          |
|---------------|--------------------------|
| WIRE GAUGE    | CURRENT RATING (PER PIN) |
| 10 AWG        | 34.5 A                   |
| 12 AWG        | 29.7 A                   |
| 1 PIN POWERED |                          |

Dual leaf blade contacts

10 or 12 AWG discrete wire cable



• Positive latching

(6.35 mm) .250" pitch

Positive latching system

**RECOGNITIONS**

For complete scope of recognitions see [www.samtec.com/quality](http://www.samtec.com/quality)

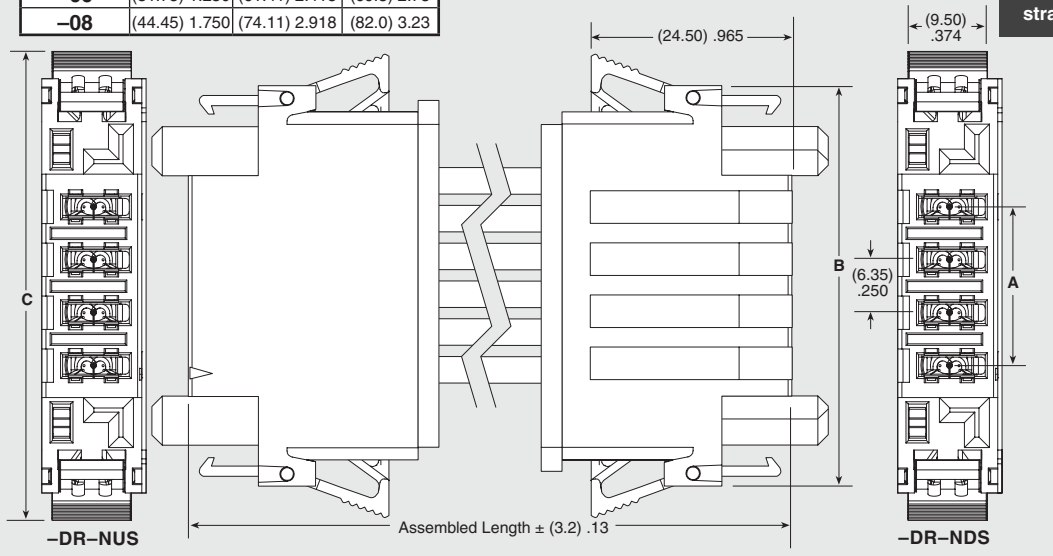


**COMPONENTS**

- For body, see [www.samtec.com?IPS6](http://www.samtec.com?IPS6)
- For contacts, see [www.samtec.com?CC10L](http://www.samtec.com?CC10L) [www.samtec.com?CC10R](http://www.samtec.com?CC10R)

| PESS               | NO. OF POSITIONS | WIRE GAUGE   | PLATING OPTION   | ASSEMBLED LENGTH                           | END 1 OPTION  | END 2 OPTION |
|--------------------|------------------|--|--|--|---|--------------|
| -02, -04, -06, -08 | -10<br>-12       | -L<br>= 10 μm (0.25 μm)<br>Gold on contact, Matte Tin on tail<br>-T<br>= Matte Tin | -“XX.XX”<br>= Wire Length in inches (152.4 mm) 06.00" min. | -SR<br>= Single End<br>-DR<br>= Double End | (Available with -DR only)<br>-NUS<br>= Notch up, straight<br>-NDS<br>= Notch down, straight |              |

| NO. OF POSITIONS | A             | B             | C           |
|------------------|---------------|---------------|-------------|
| -02              | (6.35) .250   | (36.01) 1.418 | (43.9) 1.73 |
| -04              | (19.05) .750  | (48.71) 1.918 | (56.6) 2.23 |
| -06              | (31.75) 1.250 | (61.41) 2.418 | (69.3) 2.73 |
| -08              | (44.45) 1.750 | (74.11) 2.918 | (82.0) 3.23 |



**ALSO AVAILABLE (MOQ Required)**

- Other platings

**Note:** Some sizes, styles and options are non-standard, non-returnable.

Due to technical progress, all designs, specifications and components are subject to change without notice.

[WWW.SAMTEC.COM](http://WWW.SAMTEC.COM)

All parts within this catalog are built to Samtec's specifications. Customer specific requirements must be approved by Samtec and identified in a Samtec customer-specific drawing to apply.