



POWER[™]STRIP[™]40



PESS-08-12-L-06.00-SR

PESS-04-10-L-06.00-SR

PESS SERIES

(6.35 mm) .250"

POWERSTRIP[™]/40 CABLE ASSEMBLY

SPECIFICATIONS

For complete specifications see www.samtec.com?PESS

Insulator Material: Nylon Black

Contact Material: Copper Alloy

Plating: Sn or Au over 50 μm (1.27 μm) Ni

Latch: Nylon Black

Operating Temp Range: -30 °C to +105 °C

Voltage Rating: 600 VAC

846 VDC

Wire: 10 or 12 AWG

RoHS Compliant: Yes

Mates with: PET

| PESS/PET | |
|---------------|--------------------------|
| WIRE GAUGE | CURRENT RATING (PER PIN) |
| 10 AWG | 34.5 A |
| 12 AWG | 29.7 A |
| 1 PIN POWERED | |

Dual leaf blade contacts

10 or 12 AWG discrete wire cable



• Positive latching

(6.35 mm) .250" pitch

Positive latching system

RECOGNITIONS

For complete scope of recognitions see www.samtec.com/quality

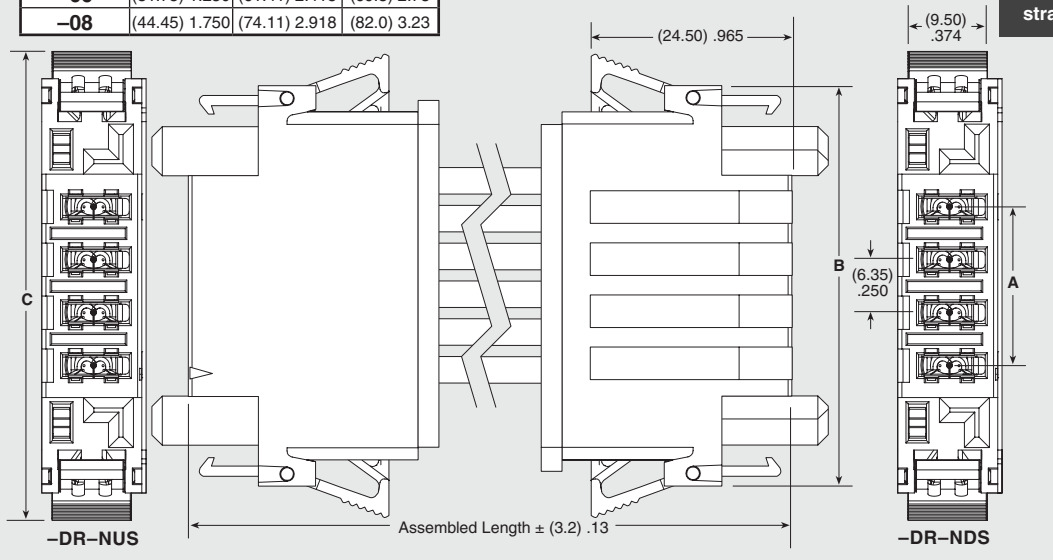


COMPONENTS

- For body, see www.samtec.com?IP6
- For contacts, see www.samtec.com?CC10L or www.samtec.com?CC10R

| PESS | NO. OF POSITIONS | WIRE GAUGE | PLATING OPTION | ASSEMBLED LENGTH | END 1 OPTION | END 2 OPTION |
|--------------------|------------------|--|--|--|---|--------------|
| -02, -04, -06, -08 | -10 -12 | -L = 10 μm (0.25 μm) Gold on contact, Matte Tin on tail -T = Matte Tin | -“XX.XX” = Wire Length in inches (152.4 mm) 06.00" min. | -SR = Single End -DR = Double End | (Available with -DR only) -NUS = Notch up, straight -NDS = Notch down, straight | |

| NO. OF POSITIONS | A | B | C |
|------------------|---------------|---------------|-------------|
| -02 | (6.35) .250 | (36.01) 1.418 | (43.9) 1.73 |
| -04 | (19.05) .750 | (48.71) 1.918 | (56.6) 2.23 |
| -06 | (31.75) 1.250 | (61.41) 2.418 | (69.3) 2.73 |
| -08 | (44.45) 1.750 | (74.11) 2.918 | (82.0) 3.23 |



ALSO AVAILABLE (MOQ Required)

- Other platings

Note: Some sizes, styles and options are non-standard, non-returnable.

Due to technical progress, all designs, specifications and components are subject to change without notice.

WWW.SAMTEC.COM

All parts within this catalog are built to Samtec's specifications. Customer specific requirements must be approved by Samtec and identified in a Samtec customer-specific drawing to apply.