

2CPS

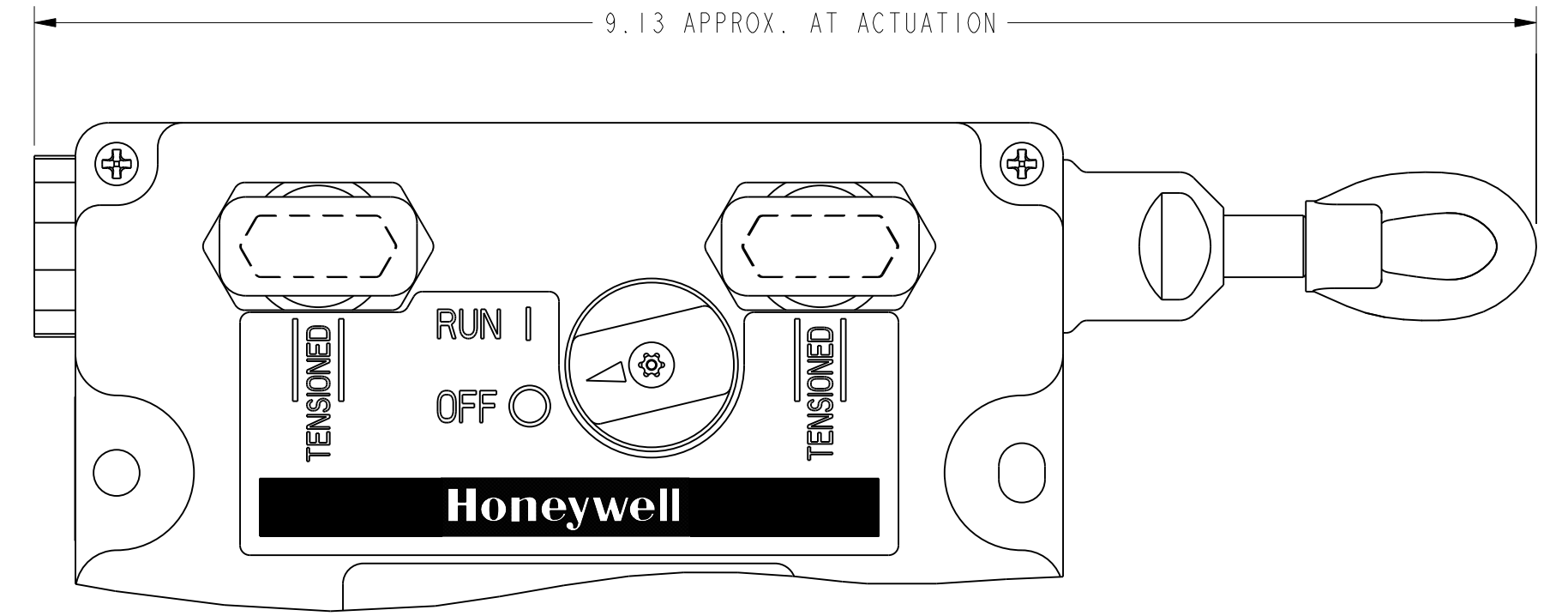
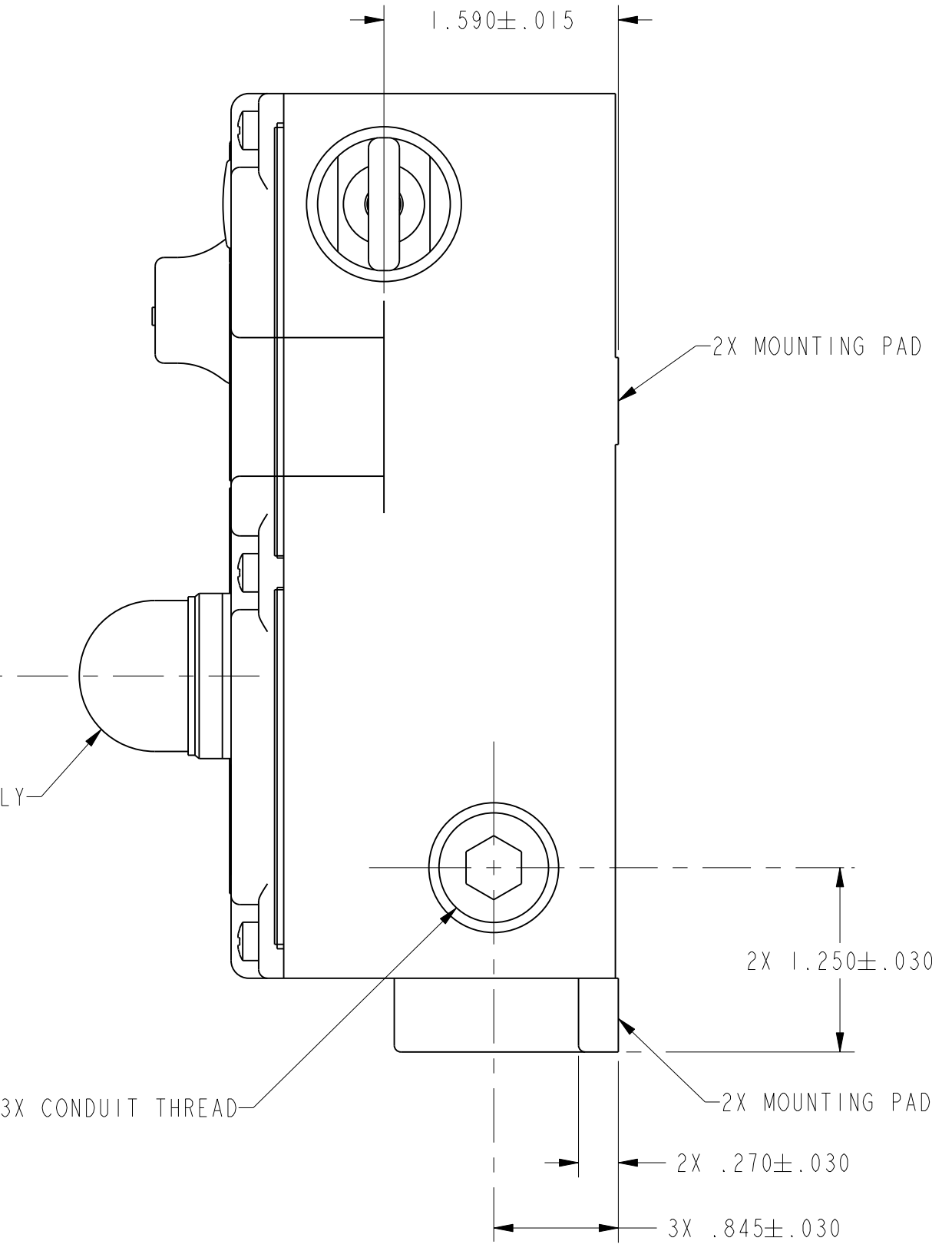
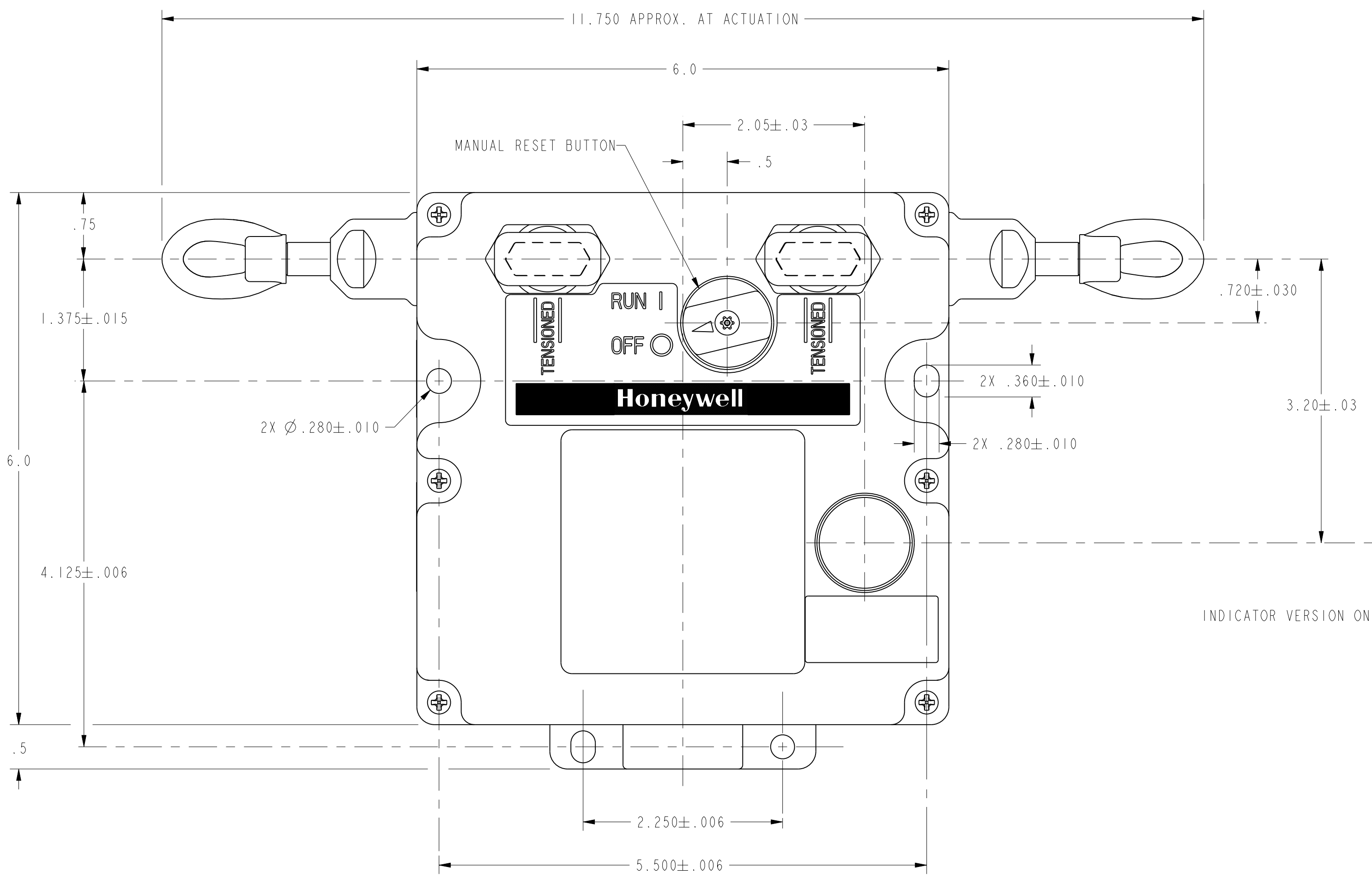
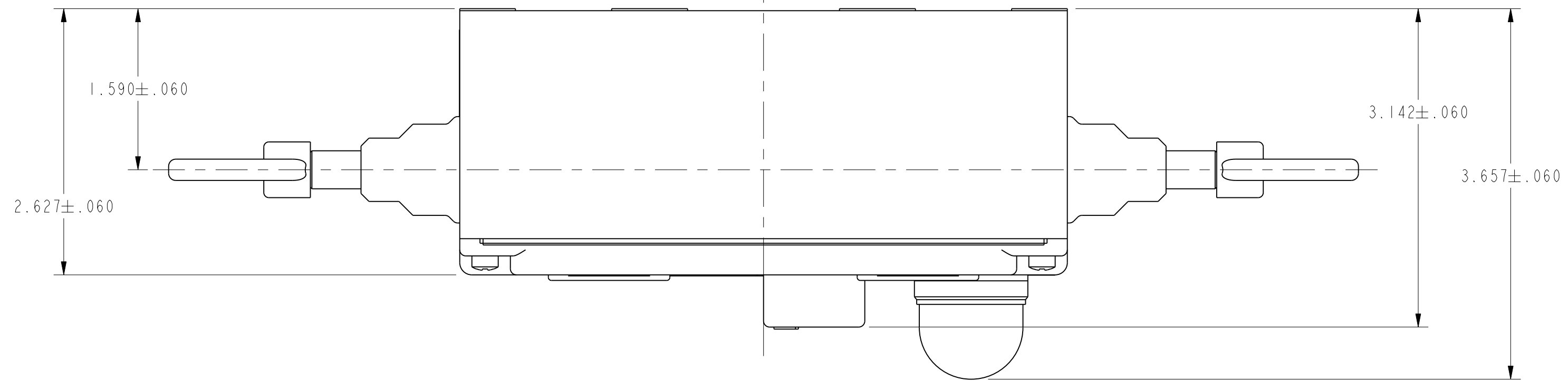
BODY CODE	
A	1/2" NPT
B	PG13,5
C	20mm
D	PF 1/2

CONTACT BLOCK MOUNTING CODE	
1	STANDARD, CONTACT BLOCKS MOUNTED TO HOUSING
2	REMOVABLE CONTACT BLOCKS W/RECEPTACLES

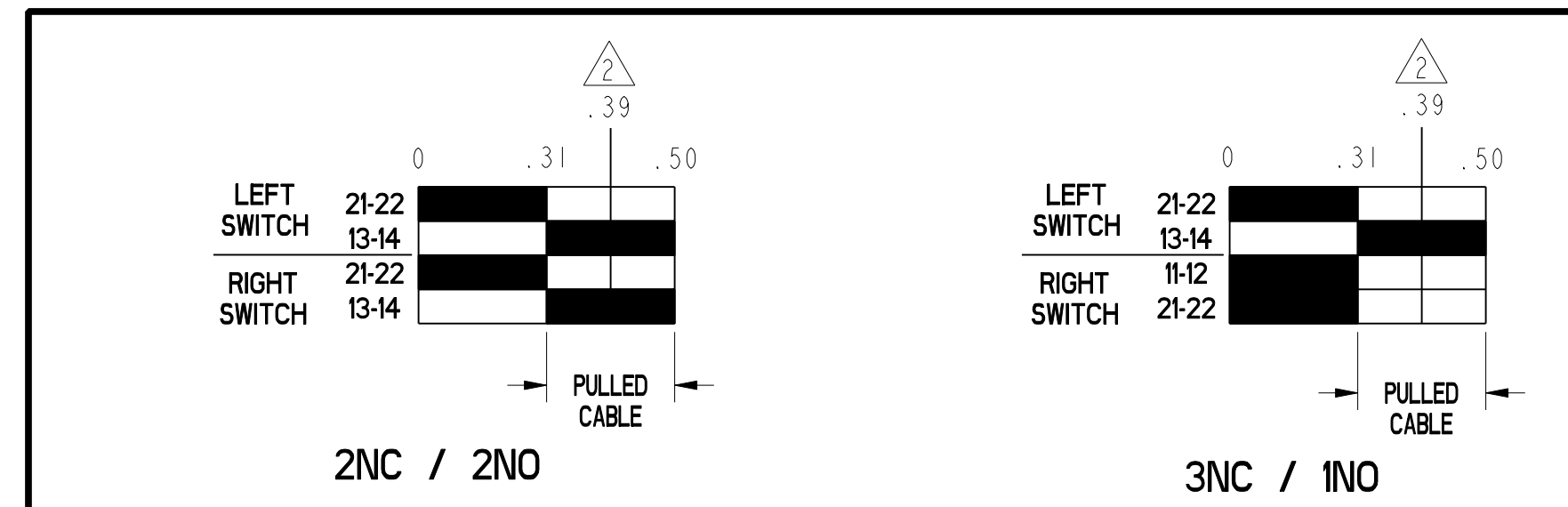
BASIC SWITCH CODE	
A	2NO - 2NC DIRECT ACTING (SWITCH 1: 1NO - 1NC) (SWITCH 2: 1NO - 1NC)
B	1NO - 3NC DIRECT ACTING (SWITCH 1: 1NO - 1NC) (SWITCH 2: 2NC)

ACTUATION CODE	
4	MAINTAINED BOTH SIDES w/o BROKEN CABLE DETECTION
5	MAINTAINED LEFT SIDE, NO ACTUATION RIGHT SIDE w/o BROKEN CABLE DETECTION
6	MAINTAINED RIGHT SIDE, NO ACTUATION LEFT SIDE w/o BROKEN CABLE DETECTION

INDICATOR-PILOT LIGHT CODE	
A	24V LED CLUSTER
B	120V LED CLUSTER



ACTUATION CODES "5" AND "6" DETAIL
(ACTUATION CODE "6" SHOWN)



SHAFT TRAVEL CHARTS

- NOTES
- 1 - NOMENCLATURE IS PROVIDED FOR IDENTIFICATION OF EXISTING LISTINGS. NOT ALL COMBINATIONS ARE POSSIBLE
 - 2 - POSITIVE OPENING TO IEC/EN60947-5-1
 - 3 - ACTUATION SHAFT OPERATE FORCE: 40 LBS
 - 4 - HARDWARE PACKET CONSISTING OF TWO CONDUIT THREAD PLUGS AND ONE "J" HOOK TURNBUCKLE FOR EACH ACTUATOR INCLUDED WITH PRODUCT

ELECTRICAL RATING				ENVIRONMENTAL		APPROVALS	
AC		DC		IP 67 NEMA 1, 4, 12 & 13		UL CE	
A300 Ue	AC15 Ie	O300 Ue	DC13 Ie	TEMP RANGE: -40°C TO 85°C -40°F TO 185°F		IEC/EN60947-5-1	
(VOLTS)	(AMPS)	(VOLTS)	(AMPS)	STORAGE: -40°C TO 85°C -40°F TO 185°F			
120	6	24	2.8	SHOCK: 15G PER IEC 68-2-27			
240	3	125	.55	VIBRATION: 5G PER IEC 68-2-6			
Ith = 10A							

UNLESS OTHERWISE SPECIFIED TOLERANCES ARE:	ASSEMBLY	DATE	10AUG01	DRAWN TSM	
NO PLACE .X ±.040 ±.1	SAV	10AUG01	CHECK SAV		
ONE PLACE .XX ±.030 ±.0,4	THIS DRAWING COVERS A PROPRIETARY ITEM AND IS THE PROPERTY OF HONEYWELL. THIS DRAWING IS NOT TO BE COPIED OR USED WITHOUT THE PERMISSION OF HONEYWELL.				
TWO PLACE .XXX ±.015 ±.0,15	TITILE SWITCH, ASSEMBLY				
THREE PLACE .XXX ±.005 ±.0,05	SIZE D				
ANGLES ±.005 ±.0,05	DRAWING NAME 2CPS SERIES CHART 3				REV 3
RAW MATERIAL-COMMERCIAL STANDARD	SCALE 1:1				
THIRD ANGLE PROJECTION	PTC 3D				
	ASME Y14.5M-1994				
	SHEET 1 OF 1				