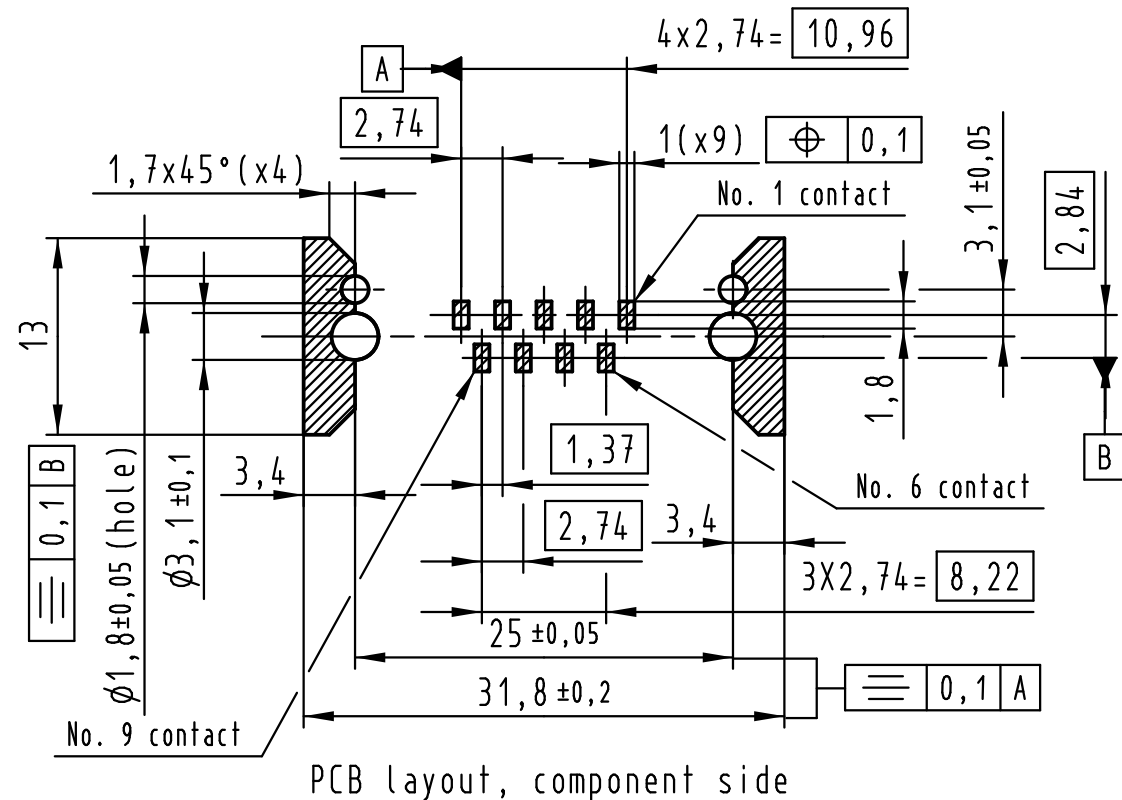
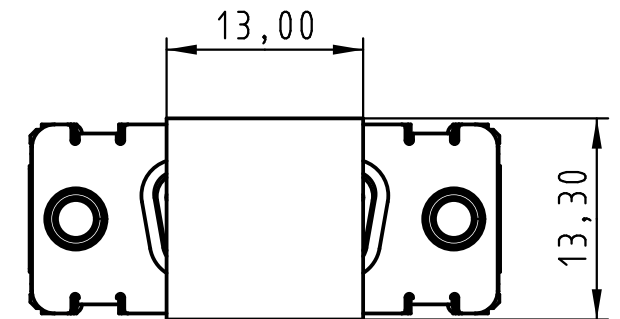
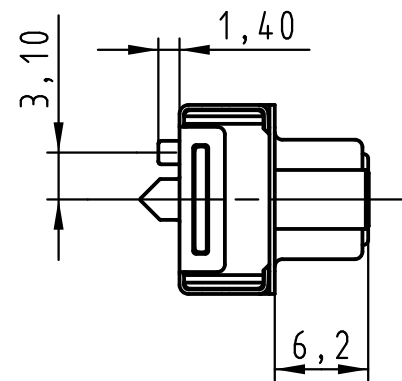
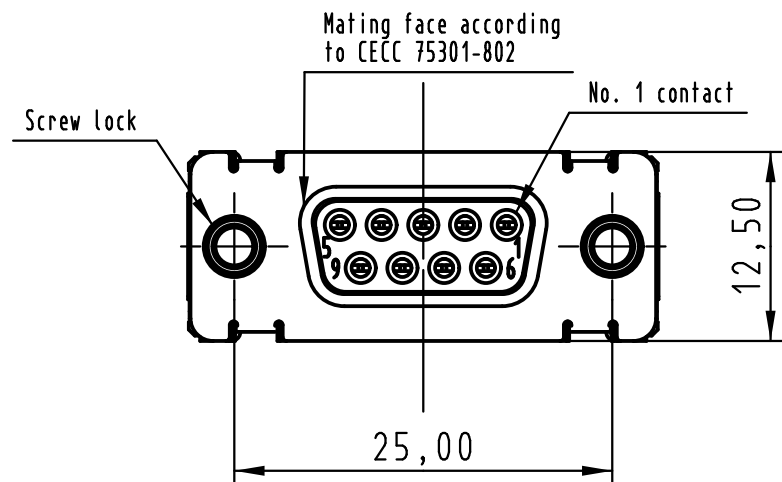
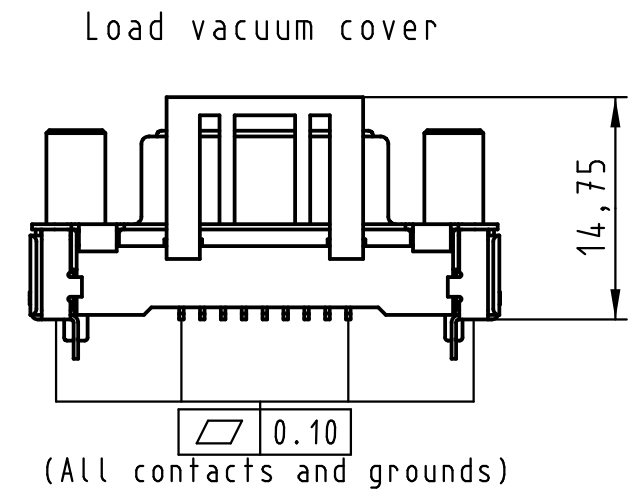
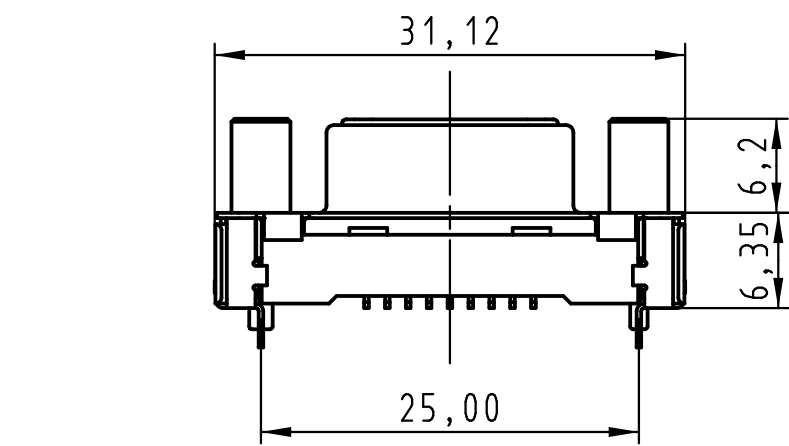
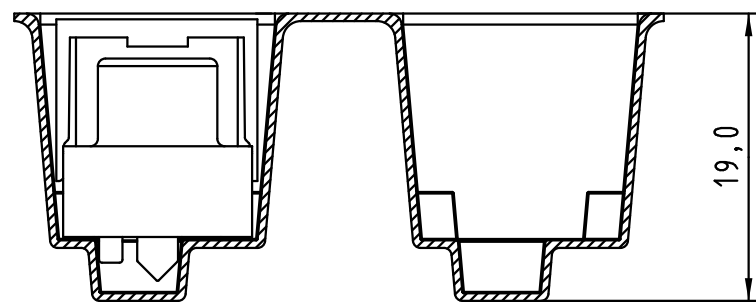


All rights reserved

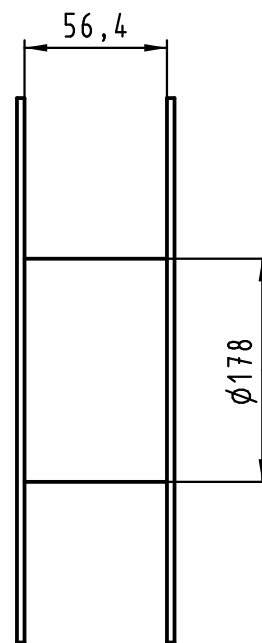
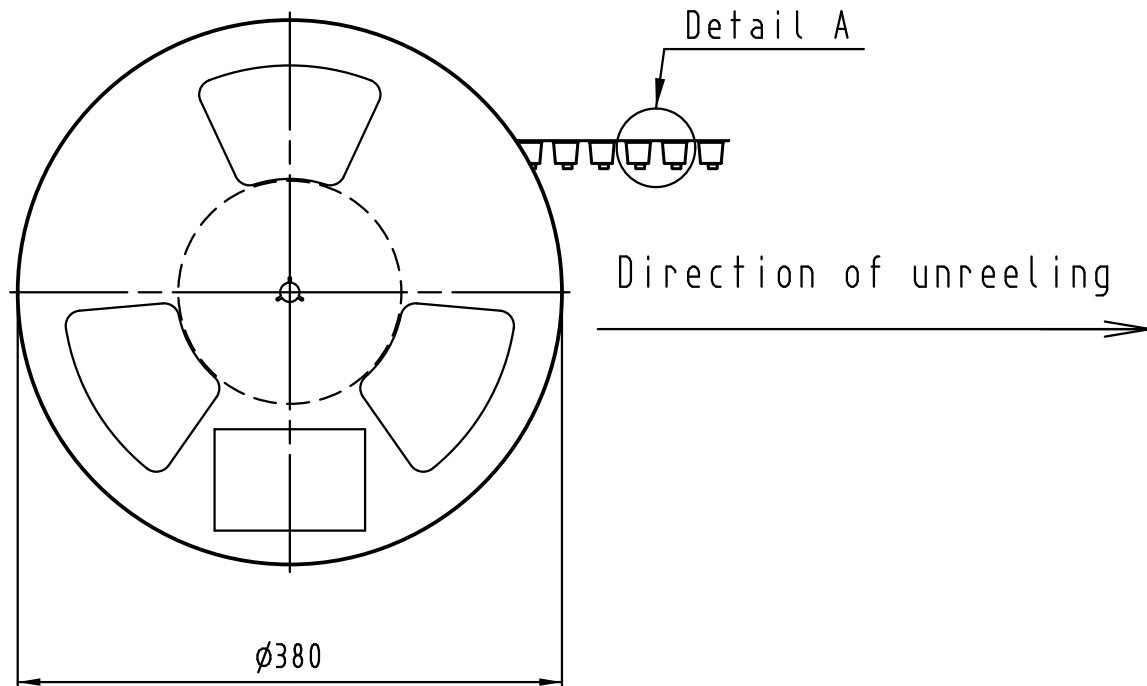
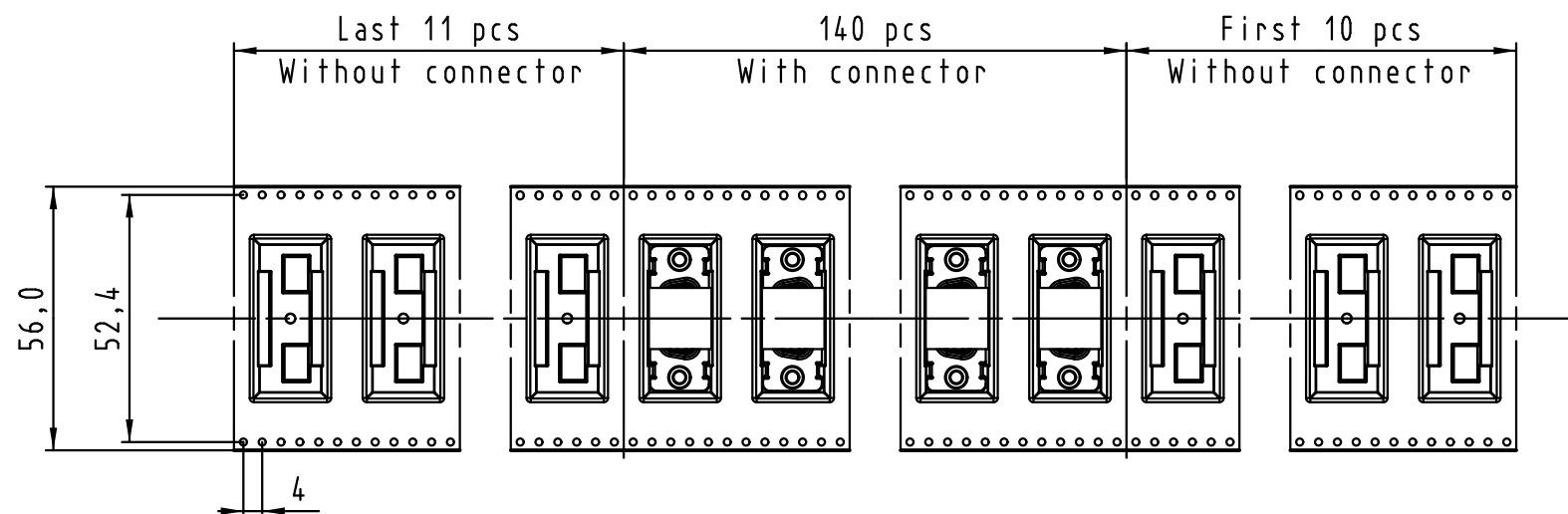


Max. Temperature: 260° during 10 seconds.

0955 155 3621 741	1	M3	Black insulator	Reel Packaging: 140 connectors (See details on page2/2)
0955 155 3622 741	1	4-40 UNC		
0955 155 6621 741	2	M3		
0955 155 6622 741	2	4-40 UNC		
0955 155 7621 741	3	M3		
0955 155 7622 741	3	4-40 UNC		
Part number	PL	Screw Lock	Index designation	
		Techn. Character.		Free size tolerances
		Dat.	Name	Scale
		Detail.	14-Sep-11 Johnson.S	2:1
		Insp.	17-Nov-11 Steven.W	
		Stand.	17-Nov-11 Steven.W	
EC04070	17-Nov-11	Johnson.S	Zhuhai HARTING Limited	
Mod.	Dat.	Name	TB 09 55 155 x62x	Page 1/2
			Sub.	



Detail A



See TB 09 55 155 x62x folio 1/2 for connector dimensions and PCB layout

Packaging in accordance with EIA 481-2.

0955 155 3621 741	1	M3	Black insulator	Reel Packaging: 140 connectors
0955 155 3622 741	1	4-40 UNC		
0955 155 6621 741	2	M3		
0955 155 6622 741	2	4-40 UNC		
0955 155 7621 741	3	M3		
0955 155 7622 741	3	4-40 UNC		
Part number	PL	Screw Lock	Index designation	

All Dimensions in mm Original Size DIN A 3	Techn. Character.			Free size tolerances	
		Dat.	Name	D-Sub SMT, 9 poles Female, Straight with screw locks and ground pins	
		Detail.	14-Sep-11 Johnson.S		
		Insp.	17-Nov-11 Steven.W		
	Stand.	17-Nov-11 Steven.W			
EC04070	17-Nov-11	Johnson.S	Zhuhai HARTING Limited		TB 09 55 155 x62x
Mod.	Dat.	Name			Page 2/2 Sub.

All rights reserved