

## Pulse Transformers/SMD Type

### ALT4532

#### FEATURES

- The ALT4532 Series is a wound chip type pulse transformer developed for LANs.
- Compatible with 10BASE-T, 100BASE-TX, and 1000BASE-T.
- High-quality product with automatic winding.
- Product conforming to RoHS directive.

#### APPLICATIONS

LAN interface portion of various devices such as network devices, communication devices, and digital home appliances

#### PRODUCT IDENTIFICATION

|     |      |       |     |     |
|-----|------|-------|-----|-----|
| ALT | 4532 | - 201 | - T | 001 |
| (1) | (2)  | (3)   | (4) | (5) |

- (1) Series name  
 (2) Dimensions L×W  
 (3) Inductance[at 100kHz/DC bias=8mA]  
 201 : 200μH min.  
 (4) Packaging style  
 T: ø330mm reel taping  
 (5) TDK internal code

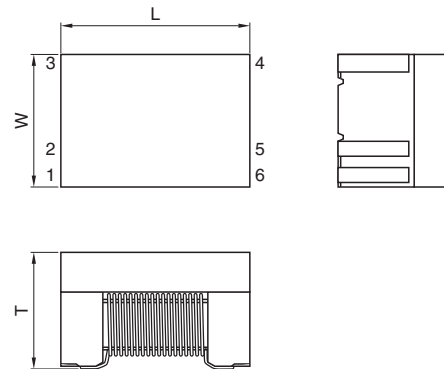
#### SPECIFICATIONS

|                   |                      |              |
|-------------------|----------------------|--------------|
| Temperature range | Operating            | -40 to +85°C |
|                   | Storage(After mount) | -40 to +85°C |

#### PACKAGING STYLE AND QUANTITIES

|                 |        |                  |
|-----------------|--------|------------------|
| Packaging style | Reel   | Quantity         |
| Taping          | ø180mm | 2000 pieces/reel |

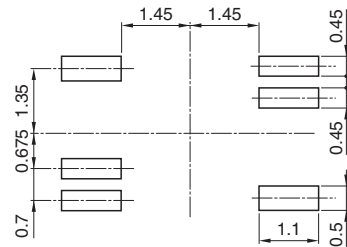
#### SHAPES AND DIMENSIONS



Dimensions in mm

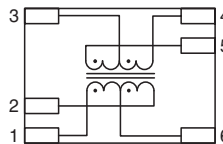
| Type             | L       | W       | T       |
|------------------|---------|---------|---------|
| ALT4532-171-T001 | 4.5±0.2 | 3.2±0.2 | 2.2max. |
| ALT4532-201-T001 | 4.5±0.2 | 3.2±0.2 | 2.9max. |

#### RECOMMENDED PC BOARD PATTERN



Dimensions in mm

#### MEASURING CIRCUIT



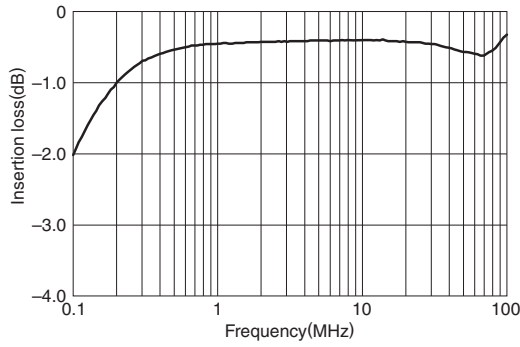
#### ELECTRICAL CHARACTERISTICS

| Part No.         | Turns ratio<br>①⑥② : ⑤③④ | Inductance<br>(μH)min.<br>[DC bias 8mA, 100kHz]<br>①-②<br>⑤-④ | Insertion loss<br>(dB)max.<br>[0.1 to 100MHz]<br>①②-⑤④ | Inter-winding<br>stray capacitance<br>(pF)max.<br>[100kHz] |
|------------------|--------------------------|---|--|--|
| ALT4532-171-T001 | 1CT : 1CT                | 170   | 2.5  | 35   |
| ALT4532-201-T001 | 1CT : 1CT                | 200   | 1.5  | 35   |

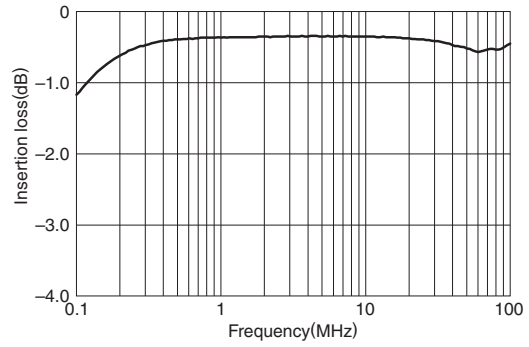
- Conformity to RoHS Directive: This means that, in conformity with EU Directive 2002/95/EC, lead, cadmium, mercury, hexavalent chromium, and specific bromine-based flame retardants, PBB and PBDE, have not been used, except for exempted applications.

- All specifications are subject to change without notice.

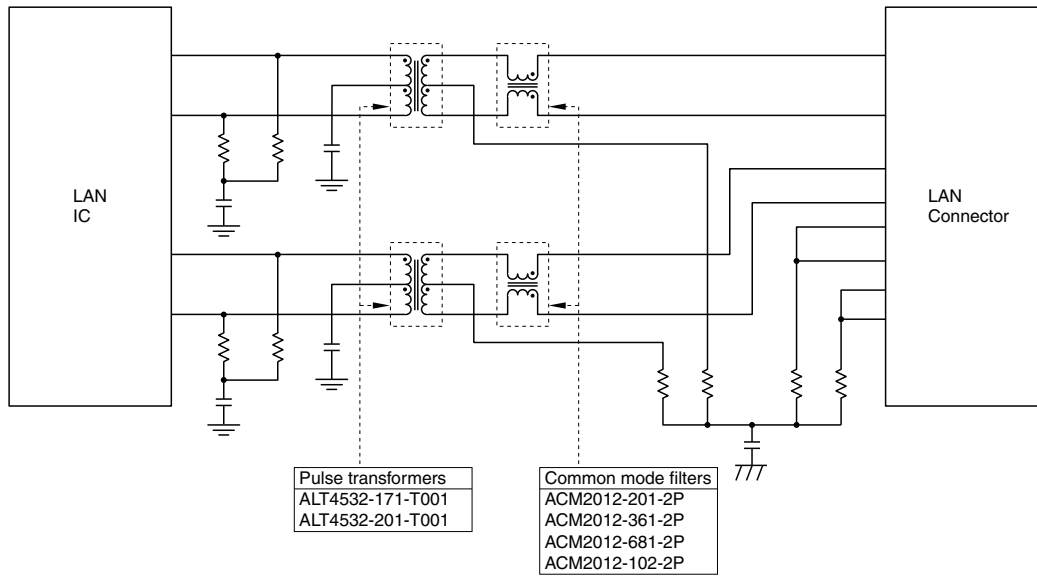
**TYPICAL ELECTRICAL CHARACTERISTICS**  
**INSERTION LOSS vs. FREQUENCY CHARACTERISTICS**  
**ALT4532-171-T001**



**ALT4532-201-T001**



**TYPICAL APPLICATIONS (100BASE-TX)**



Note) Peripheral circuits differ depending on the IC used; check the circuits with the application note of the IC, etc.