

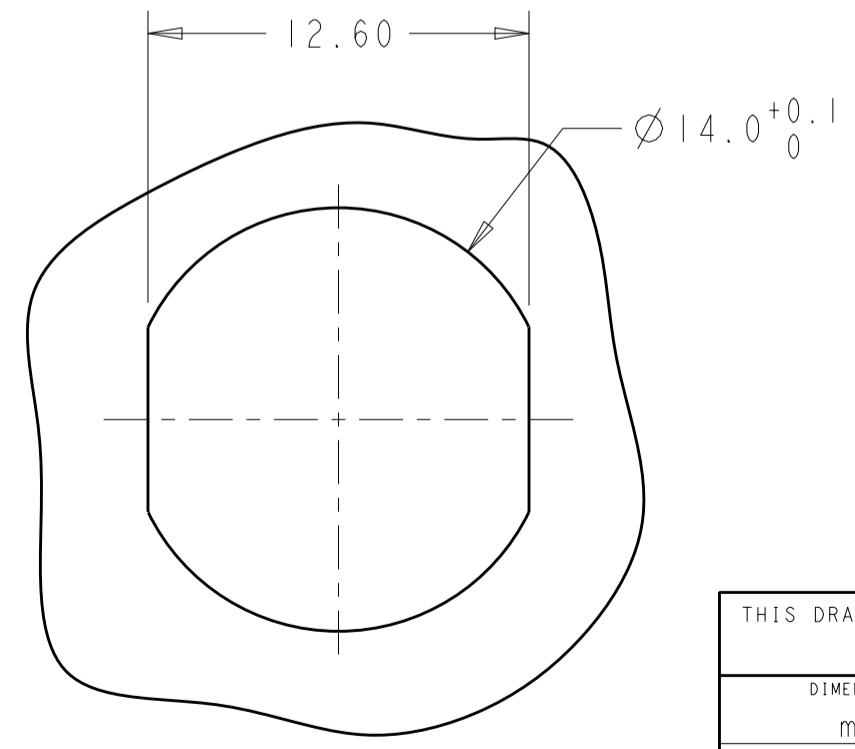
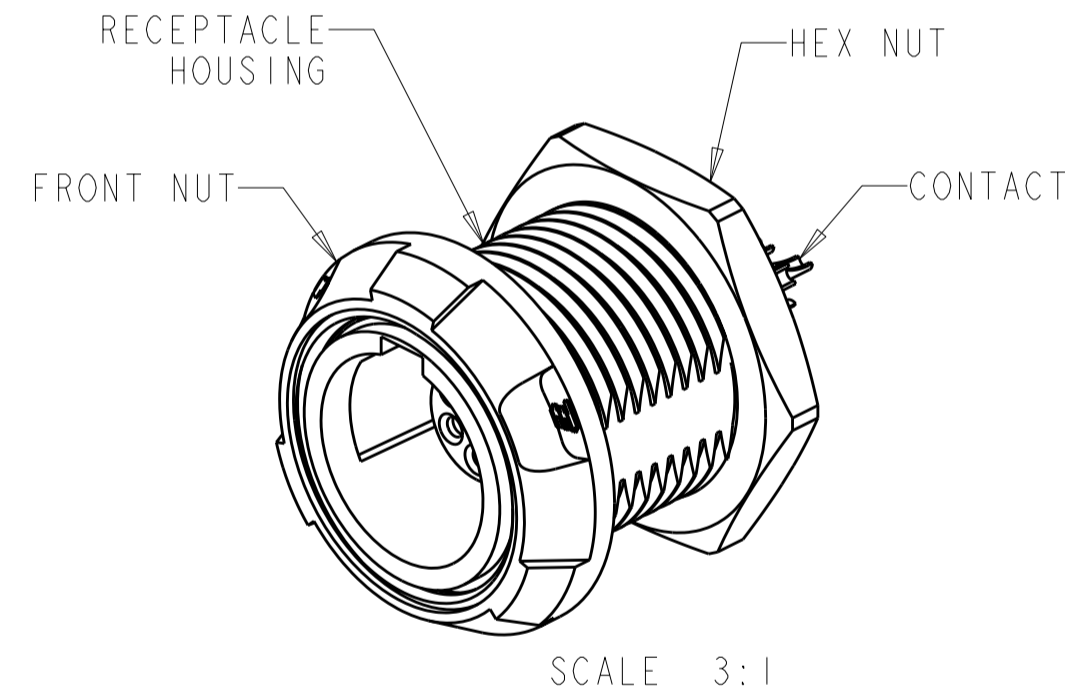
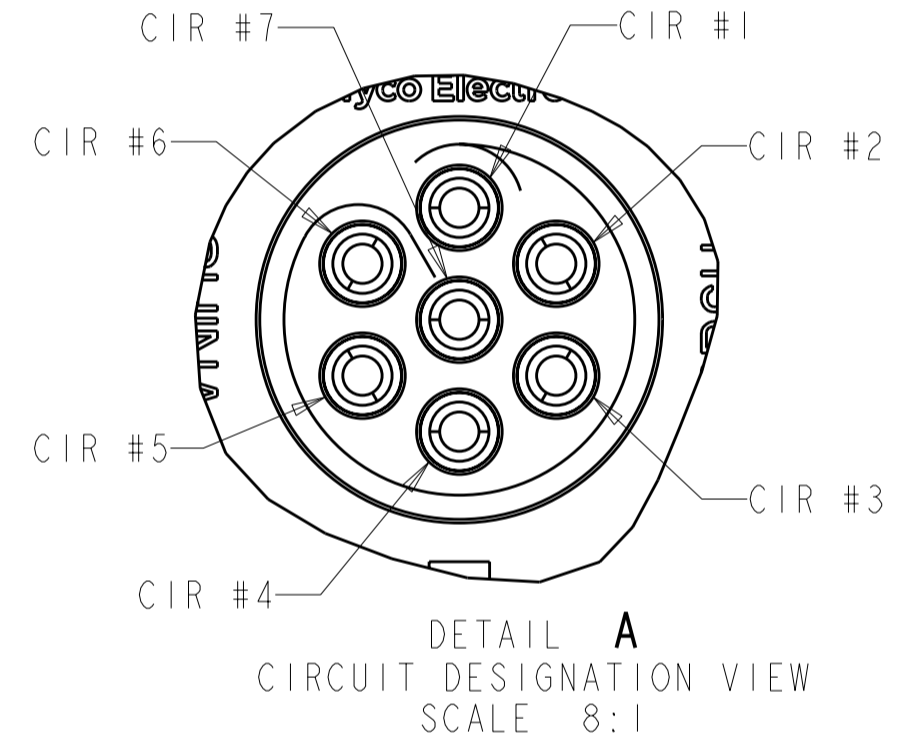
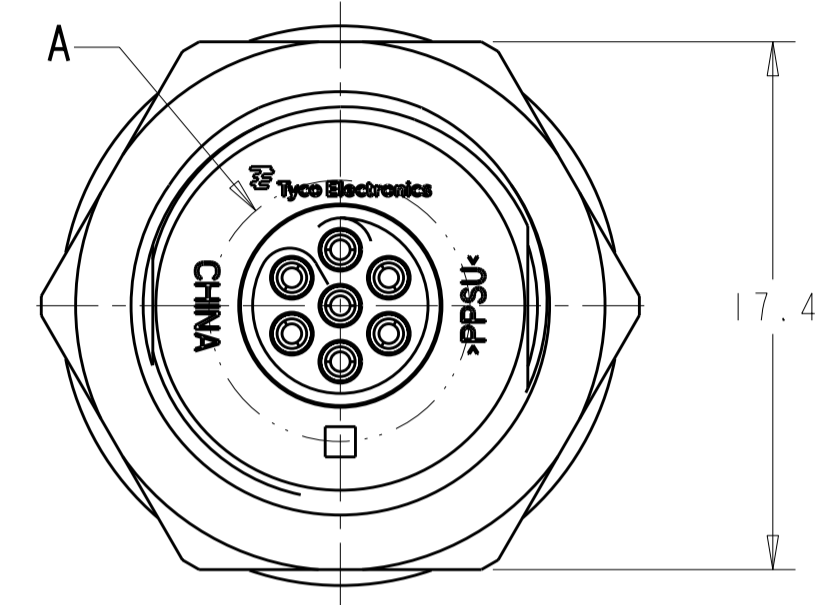
THIS DRAWING IS UNPUBLISHED. RELEASED FOR PUBLICATION 20  
 © COPYRIGHT 20 BY - ALL RIGHTS RESERVED.

| LOC | DIST | REVISIONS   |                           |           |        |
|-----|------|-------------|---------------------------|-----------|--------|
| P   | LTR  | DESCRIPTION | DATE                      | DWN       | APVD   |
| AD  | 00   | B3          | REVISED PER ECO-11-005027 | 12MAR2011 | RK HMR |

- 1 MATERIAL:  
RECEPTACLE HOUSING, UL 94V-0 RATED THERMOPLASTIC, COLOR:SEE TABLE  
CONTACT, PHOSPHOR BRONZE  
FRONT NUT, UL 94V-0 RATED THERMOPLASTIC, COLOR:SEE TABLE  
HEX NUT, BRASS
- 2 FINISH:  
CONTACT, 0.75µm MIN. GOLD OVER NICKEL  
HEX NUT, NICKEL
- 3 SOLDER TERMINATION CONTACT, 26 AWG WIRE MAX.
- 4 10.0 MAXIMUM PANEL THICKNESS
- 5. INSTALLS FROM FRONT OR REAR OF PANEL
- 6. INGRESS PROTECTION: IP50 (MATED)
- 7 PRELIMINARY PART NUMBER.



SEE DETAIL A



SUGGESTED  
PANEL CUTOUT  
SCALE 4:1

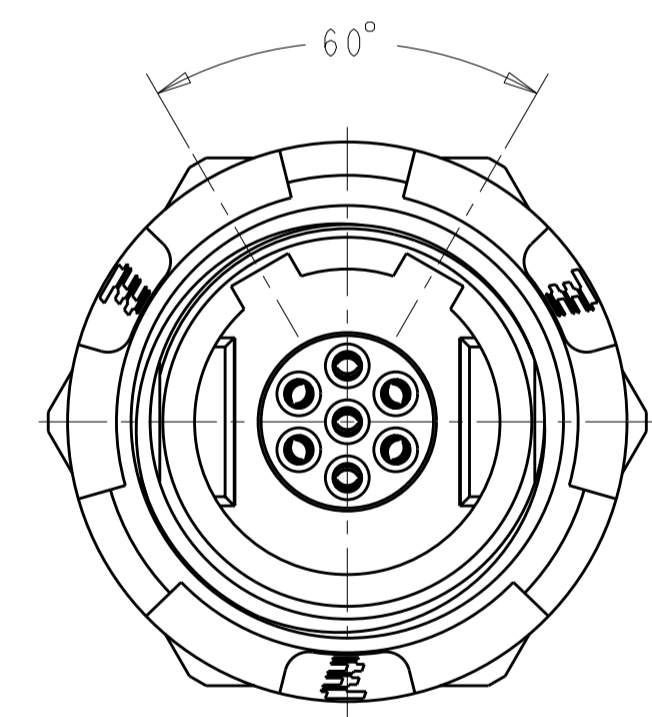
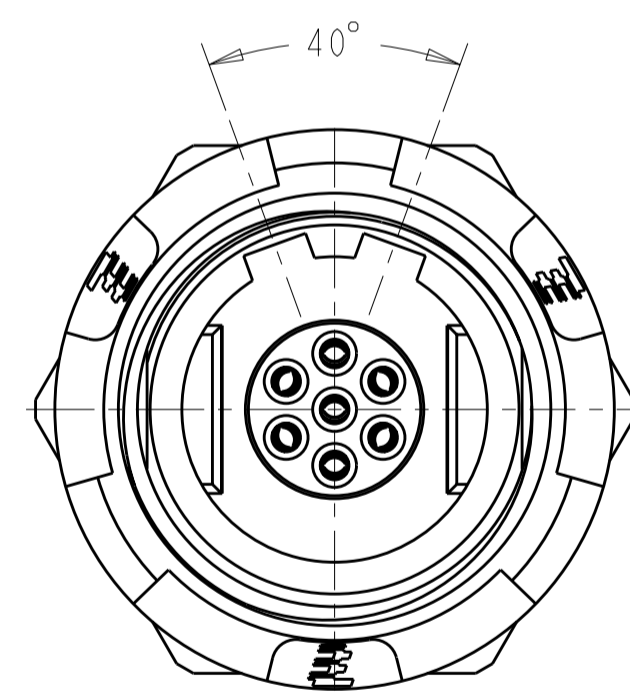
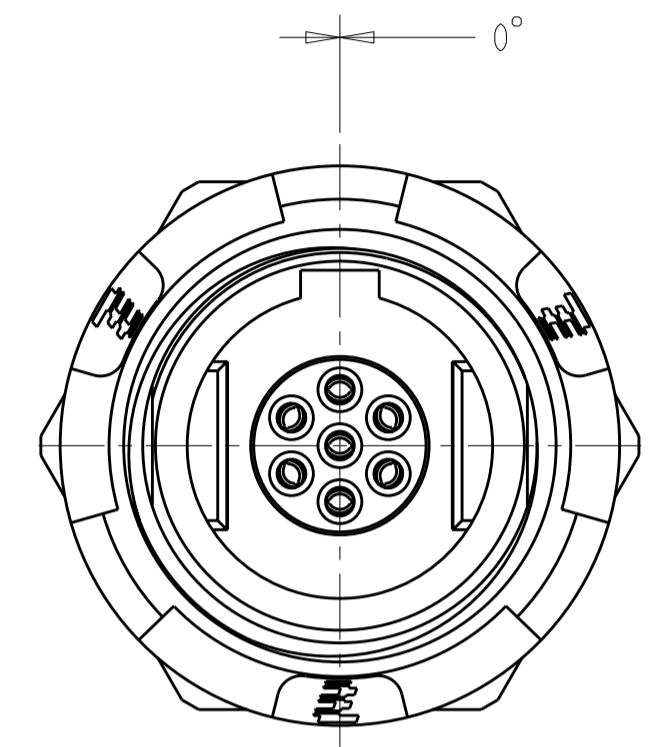
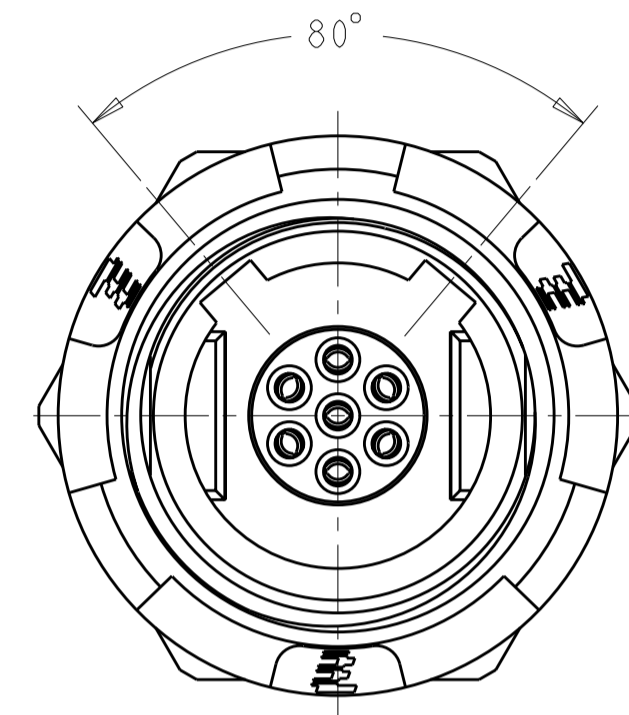
|   |       |  |                            |  |      |       |       |       |   |       |   |        |     |        |  |                          |           |            |
|---|-------|--|----------------------------|--|------|-------|-------|-------|---|-------|---|--------|-----|--------|--|--------------------------|-----------|------------|
| THIS DRAWING IS A CONTROLLED DOCUMENT.  |       | DWN<br>R.L. KOLLER<br>21 JUN 2005      | <b>STE</b> TE Connectivity |  |      |       |       |       |   |       |   |        |     |        |  |                          |           |            |
|   |       | CHK<br>L. BREKOSKY<br>28 JUN 2005      |                            |  |      |       |       |       |   |       |   |        |     |        |  |                          |           |            |
| DIMENSIONS:<br>mm   |       | TOLERANCES UNLESS OTHERWISE SPECIFIED: |                            | NAME<br>RECEPTACLE ASSEMBLY<br>PANEL MOUNT<br>7 POSITION |      |       |       |       |   |       |   |        |     |        |  |                          |           |            |
| <table border="1"> <tr><td>0 PLC</td><td>±</td></tr> <tr><td>1 PLC</td><td>±0.2</td></tr> <tr><td>2 PLC</td><td>±0.08</td></tr> <tr><td>3 PLC</td><td>±</td></tr> <tr><td>4 PLC</td><td>±</td></tr> <tr><td>ANGLES</td><td>±1°</td></tr> <tr><td>FINISH</td><td></td></tr> </table> |       | 0 PLC                                  | ±                          | 1 PLC  | ±0.2 | 2 PLC | ±0.08 | 3 PLC | ± | 4 PLC | ± | ANGLES | ±1° | FINISH |  | PRODUCT SPEC<br>108-2249 | APVD<br>- | SIZE<br>A2 |
| 0 PLC   | ±     |  |                            |  |      |       |       |       |   |       |   |        |     |        |  |                          |           |            |
| 1 PLC   | ±0.2  |  |                            |  |      |       |       |       |   |       |   |        |     |        |  |                          |           |            |
| 2 PLC   | ±0.08 |  |                            |  |      |       |       |       |   |       |   |        |     |        |  |                          |           |            |
| 3 PLC   | ±     |  |                            |  |      |       |       |       |   |       |   |        |     |        |  |                          |           |            |
| 4 PLC   | ±     |  |                            |  |      |       |       |       |   |       |   |        |     |        |  |                          |           |            |
| ANGLES  | ±1°   |  |                            |  |      |       |       |       |   |       |   |        |     |        |  |                          |           |            |
| FINISH  |       |  |                            |  |      |       |       |       |   |       |   |        |     |        |  |                          |           |            |
| MATERIAL<br>1   |       | APPLICATION SPEC<br>114-13184          | RESTRICTED TO<br>-         | CAGE CODE<br>00779                                       |      |       |       |       |   |       |   |        |     |        |  |                          |           |            |
|   |       | WEIGHT<br>-                            | DRAWING NO.<br>1877068     | SCALE<br>5:1   |      |       |       |       |   |       |   |        |     |        |  |                          |           |            |
|   |       | CUSTOMER DRAWING                       | SHEET<br>1 OF 2            | REV<br>B3  |      |       |       |       |   |       |   |        |     |        |  |                          |           |            |

THIS DRAWING IS UNPUBLISHED. RELEASED FOR PUBLICATION 20  
 © COPYRIGHT 20 BY - ALL RIGHTS RESERVED.

| LOC | DIST | REVISIONS   |      |     |      |
|-----|------|-------------|------|-----|------|
| P   | LTR  | DESCRIPTION | DATE | DWN | APVD |
| AD  | 00   | SEE SHEET 1 |      |     |      |

| KEYING | FRONT NUT COLOR | HOUSING COLOR | PART NUMBER |
|--------|-----------------|---------------|-------------|
| 40°    | BLUE            | BLACK         | 4-1877068-2 |
|        | BLUE            | GRAY          | 4-1877068-1 |
| 40°    | GREEN           | BLACK         | 4-1877068-0 |
|        | GREEN           | GRAY          | 3-1877068-9 |
| 40°    | YELLOW          | BLACK         | 3-1877068-8 |
|        | YELLOW          | GRAY          | 3-1877068-7 |
| 40°    | WHITE           | BLACK         | 3-1877068-6 |
|        | WHITE           | GRAY          | 3-1877068-5 |
| 40°    | RED             | BLACK         | 3-1877068-4 |
|        | RED             | GRAY          | 3-1877068-3 |
| 40°    | BLACK           | BLACK         | 3-1877068-2 |
|        | BLACK           | GRAY          | 3-1877068-1 |
| 40°    | GRAY            | BLACK         | 3-1877068-0 |
|        | GRAY            | GRAY          | 2-1877068-9 |
| 80°    | BLACK           | GRAY          | 2-1877068-8 |
|        | GRAY            | BLACK         | 2-1877068-7 |
| 0°     | BLACK           | GRAY          | 2-1877068-6 |
|        | GRAY            | BLACK         | 2-1877068-5 |
| 80°    | BLUE            | BLACK         | 2-1877068-4 |
|        | BLUE            | GRAY          | 2-1877068-3 |
| 0°     | BLUE            | BLACK         | 2-1877068-2 |
|        | BLUE            | GRAY          | 2-1877068-1 |
| 80°    | GREEN           | BLACK         | 2-1877068-0 |
|        | GREEN           | GRAY          | 1-1877068-9 |
| 0°     | GREEN           | BLACK         | 1-1877068-8 |
|        | GREEN           | GRAY          | 1-1877068-7 |
| 80°    | YELLOW          | BLACK         | 1-1877068-6 |
|        | YELLOW          | GRAY          | 1-1877068-5 |
| 0°     | YELLOW          | BLACK         | 1-1877068-4 |
|        | YELLOW          | GRAY          | 1-1877068-3 |
| 80°    | WHITE           | BLACK         | 1-1877068-2 |
|        | WHITE           | GRAY          | 1-1877068-1 |
| 0°     | WHITE           | BLACK         | 1-1877068-0 |
|        | WHITE           | GRAY          | 1877068-9   |
| 80°    | RED             | BLACK         | 1877068-8   |
|        | RED             | GRAY          | 1877068-7   |
| 0°     | RED             | BLACK         | 1877068-6   |
|        | RED             | GRAY          | 1877068-5   |
| 80°    | BLACK           | BLACK         | 1877068-4   |
|        | GRAY            | GRAY          | 1877068-3   |
| 0°     | BLACK           | BLACK         | 1877068-2   |
|        | GRAY            | GRAY          | 1877068-1   |

|     |        |       |             |   |
|-----|--------|-------|-------------|---|
| 60° | BLUE   | BLACK | 5-1877068-6 | 7 |
|     | BLUE   | GRAY  | 5-1877068-5 | 7 |
| 60° | GREEN  | BLACK | 5-1877068-4 | 7 |
|     | GREEN  | GRAY  | 5-1877068-3 | 7 |
| 60° | YELLOW | BLACK | 5-1877068-2 | 7 |
|     | YELLOW | GRAY  | 5-1877068-1 | 7 |
| 60° | WHITE  | BLACK | 5-1877068-0 | 7 |
|     | WHITE  | GRAY  | 4-1877068-9 | 7 |
| 60° | RED    | BLACK | 4-1877068-8 | 7 |
|     | RED    | GRAY  | 4-1877068-7 | 7 |
| 60° | BLACK  | BLACK | 4-1877068-6 | 7 |
|     | BLACK  | GRAY  | 4-1877068-5 | 7 |
| 60° | GRAY   | BLACK | 4-1877068-4 | 7 |
|     | GRAY   | GRAY  | 4-1877068-3 | 7 |



|  |  |                                   |  |                    |
|--|--|-----------------------------------|--|--------------------|
| THIS DRAWING IS A CONTROLLED DOCUMENT. |  | DWN<br>R.L. KOLLER<br>21 JUN 2005 | TE Connectivity  |                    |
|  |  | CHK<br>L. BREKOSKY<br>28 JUN 2005 |  |                    |
| DIMENSIONS:                            | TOLERANCES UNLESS OTHERWISE SPECIFIED:                     | APVD<br>-                         | NAME<br>RECEPTACLE ASSEMBLY<br>PANEL MOUNT<br>7 POSITION |                    |
| mm                                     | 0 PLC ±<br>1 PLC ±0.2<br>2 PLC ±0.08<br>3 PLC ±<br>4 PLC ± | PRODUCT SPEC<br>108-2249          | SIZE<br>A2   | CAGE CODE<br>00779 |
| MATERIAL                               | ANGLES ±1°<br>FINISH                                       | APPLICATION SPEC<br>114-13184     | DRAWING NO<br>C-1877068                                  | RESTRICTED TO<br>- |
|  |  | WEIGHT<br>-                       | SCALE 5:1 SHEET 2 OF 2 REV B.3                           |                    |
| CUSTOMER DRAWING                       |  |                                   |  |                    |