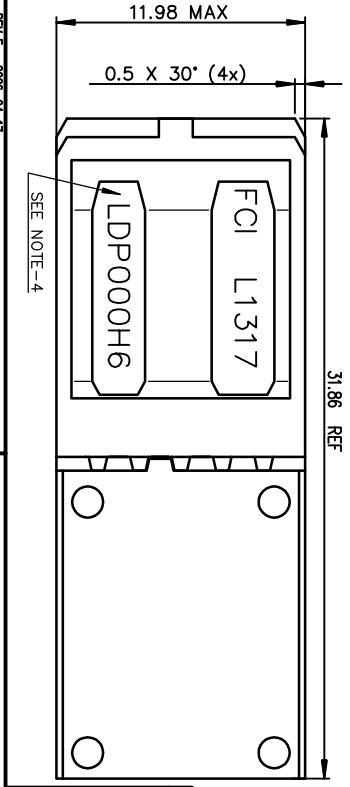


NOTE-1: NOMINATIVE REF = IEC-61076-4-104  
 NOTE-2: ONE CENTER PEG FOR HOLD DOWN FORCE  
 NOTE-3: CODING RECESS FOR 8MM EXTENDED KEYS  
 NOTE-4: PRODUCT MARKING = PRODUCT NUMBER + BATCH CODE + FCI  
 FOR 1 MODULE SIZE END OF PART NUMBER ONLY  
 NOTE-6: CENTRAL WALL WITH END REAR SUPPORT  
 NOTE-7: PACKAGING IN TRAY + COVER  
 IF SUFFIX "P" IS ADDED IN P/N PACKAGING IS IN TRAYS  
 BUT CONNECTOR MARKING IS WITHOUT "P"  
 EXAMPLE: HM1XXXXXXXXXXH6P, MARKED HM1XXXXXXXXXXH6

**GENERAL CHARACTERISTICS AND ROHS INFORMATIONS:**  
 SEE PRODUCT SPECIFICATION GS-12-445



rev	ech no	dr	date
G	LS06-0097	LSO	2006/07/12
H	LS07-0184	MLE	2007/07/25
J	DC09-0359	Canh	2009/11/18
K	DG10-0231	Canh	2010/06/18
L	DG-010291	Qndf	2012/02/14

www.fciconnect.com

Dr	CHAMPION	1994/04/05	ANGULAR	0X	±0.1	size	A3
Eng	De-Feng Qin	2012/02/14	LINEAR	0XX	±0.1	ECN	
Chr	Florne Zeng	2012/02/14	0XX ±2	0XXX	±0.1	Product family	METRAL
Appr	PM Zheng	2012/02/14	Product family				

surface ISO 1302 ✓ tolerance std ISO 406 ISO 1101  
 TOLERANCES UNLESS OTHERWISE SPECIFIED

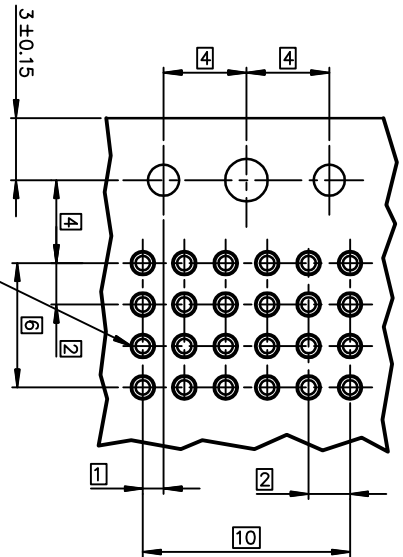
projection size A3  
 Scale 4:1  
 European Views

METRAL RA HEADER WB  
 CONVERGED 4x6 CTS-PF-PUSH PEG  
 C-8626-0150  
 CUSTOMER sheet 1 of 2

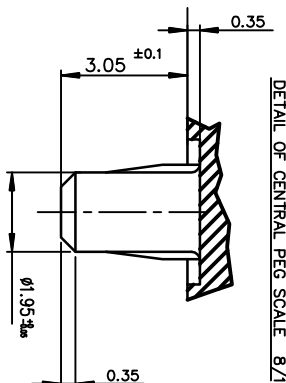
TIN LEAD PART NUMBER

DIM-P 4.010					P/N AND PERFORMANCE LEVEL	SP N°
ROW-A	ROW-B	ROW-C	ROW-D			
5.00	5.00	5.00	5.00	HM1L41ADP000H6P	009	
5.75	5.75	5.75	5.75	HM1L41LDP000H6P	424	
6.50	6.50	6.50	6.50	HM1L41DDP000H6P		
6.50	5.00	5.00	5.00	HM1L41BDP000H6P		
6.50	5.75	5.75	6.50	HM1L41CDP000H6P	110	
5.00	5.00	6.50	5.00	HM1L41ZDP110H6P	430	
5.00	5.75	6.50	5.00	HM1L41ZDP430H6P	448	
5.00	5.75	5.00	5.00	HM1L41ZDP448H6P		
5.75	5.00	5.00	5.00	HM1L41ZDP009H6P	009	
5.75	6.50	5.75	5.00	HM1L41ZDP424H6P	424	
6.50	5.75	6.50	5.75	HM1L41ZDP037H6P	037	
6.50	5.75	5.00	5.75	HM1L41ZDP102H6P	102	
6.50	6.50	6.50	5.75	HM1L41ZDP135H6P	135	
6.50	8.00	6.50	5.75	HM1L41ZDP329H6P	329	
6.50	5.75	5.75	5.75	HM1L41ZDP369H6P	369	

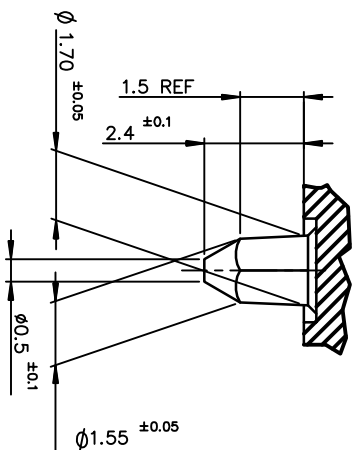
RECOMMENDED PCB LAYOUT



DETAIL OF CENTRAL PEG SCALE 8/1



DETAIL OF LOCATING PEGS (2x) SCALE 8/1



LEAD FREE PART NUMBER

DIM-P 4.010					P/N AND PERFORMANCE LEVEL	SP N°
ROW-A	ROW-B	ROW-C	ROW-D			
5.00	5.00	5.00	5.00	HM1L41ADP000H6PLF		
5.75	5.75	5.75	5.75	HM1L41LDP000H6PLF		
6.50	6.50	6.50	6.50	HM1L41DDP000H6PLF		
6.50	5.00	5.00	5.00	HM1L41BDP000H6PLF		
6.50	5.75	5.75	6.50	HM1L41CDP000H6PLF	110	
5.00	5.00	6.50	5.00	HM1L41ZDP110H6PLF	430	
5.00	5.75	6.50	5.00	HM1L41ZDP430H6PLF	448	
5.00	5.75	5.00	5.00	HM1L41ZDP448H6PLF		
8.00	8.00	8.00	8.00	HM1L41NDP000H6PLF		
5.00	5.00	5.00	5.00	HM1L41ADP001H6PLF		
5.75	5.00	5.00	5.00	HM1L41ZDP009H6PLF	009	
5.75	6.50	5.75	5.00	HM1L41ZDP424H6PLF	424	
6.50	5.75	6.50	5.75	HM1L41ZDP037H6PLF	037	
6.50	5.75	5.00	5.75	HM1L41ZDP102H6PLF	102	
6.50	6.50	6.50	5.75	HM1L41ZDP135H6PLF	135	
6.50	8.00	6.50	5.75	HM1L41ZDP329H6PLF	329	
6.50	5.75	5.75	5.75	HM1L41ZDP369H6PLF	369	

Row	CONTACT CODE MOD					
	1	2	3	4	5	6
D	-	-	-	-	-	-
C	-	-	-	-	-	-
B	-	-	-	-	-	-
A	-	-	-	-	-	-

HM1L41ADP001H6PLF  
SELECTIVE CONTACT LOADING  
NOTE: \*-\*POSITION LOADED

OTHERS INFORMATIONS: SEE DRW 8626-0150-1

European Views

www.ficonnect.com

Dr	CHAMPION	1994/04/05	ANGULAR	LINEAR	0.XX	0.XXX	±0.1	±0.1	A3	Scale	4/1
Eng	De-Feng Qin	2012/02/14	0.XX ±Z		0.XX	0.XXX	±0.1	±0.1	ECN		
Chr	Flame Zeng	2012/02/14	Product family								
Appr	PM Zheng	2012/02/14									

**FCJ** METRAL RA HEADER WB  
CONVERGED 4x6 CTS-PF-PUSH PEG

tolerance std ISO 1302  
TOLERANCES UNLESS OTHERWISE SPECIFIED

projection  
Scale  
mm  
4/1

Customer sheet 2 of 2

REV F - 2006-04-17  
STANDARD MATING LENGTHS = 5.75 (AND 5.00-6.50)

