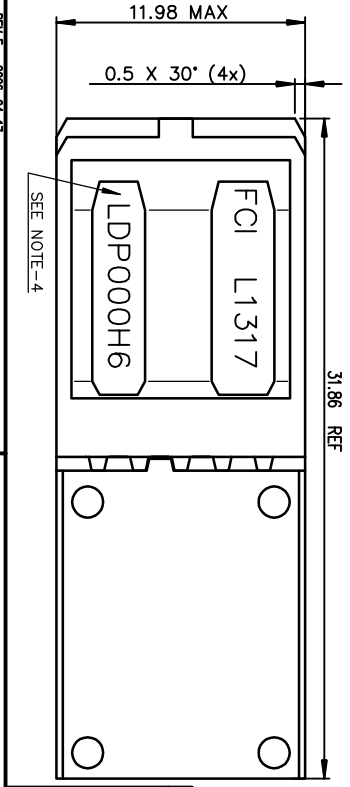


NOTE-1: NOMINATIVE REF = IEC-61076-4-104
 NOTE-2: ONE CENTER PEG FOR HOLD DOWN FORCE
 NOTE-3: CODING RECESS FOR 8MM EXTENDED KEYS
 NOTE-4: PRODUCT MARKING = PRODUCT NUMBER + BATCH CODE + FCI
 FOR 1 MODULE SIZE END OF PART NUMBER ONLY
 NOTE-6: CENTRAL WALL WITH END REAR SUPPORT
 NOTE-7: PACKAGING IN TRAY + COVER
 IF SUFFIX "P" IS ADDED IN P/N PACKAGING IS IN TRAYS
 BUT CONNECTOR MARKING IS WITHOUT "P"
 EXAMPLE: HM1XXXXXXXXXXH6P, MARKED HM1XXXXXXXXXXH6

GENERAL CHARACTERISTICS AND ROHS INFORMATIONS:
 SEE PRODUCT SPECIFICATION GS-12-445



rev	ech no	dr	date
G	LS06-0097	LSO	2006/07/12
H	LS07-0184	MLE	2007/07/25
J	DC09-0359	Canh	2009/11/18
K	DG10-0231	Canh	2010/06/18
L	DG-010291	Qndf	2012/02/14

www.fciconnect.com

Dr	CHAMPION	1994/04/05	ANGULAR	0X	±0.1	size	A3
Eng	De-Feng Qin	2012/02/14	LINEAR	0XX	±0.1	ECN	
Chr	Florne Zeng	2012/02/14	0XX ±2	0XXX	±0.1		
Appr	PM Zheng	2012/02/14	Product family				

surface ISO 1302 ✓ tolerance std ISO 406 ISO 1101 projection A3
 TOLERANCES UNLESS OTHERWISE SPECIFIED
 METRAL RA HEADER WB
 CONVERGED 4x6 CTS-PF-PUSH PEG
 C-8626-0150
 CUSTOMER sheet 1 of 2

European Views

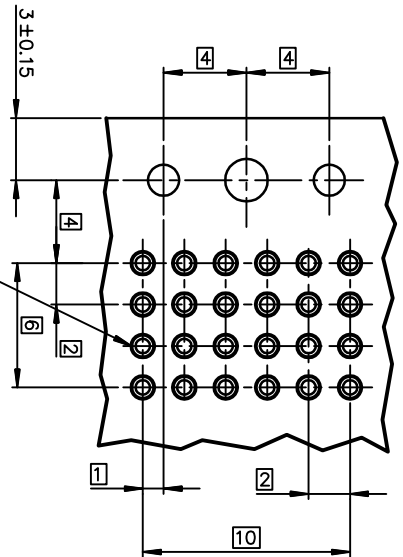
mm

Scale 4:1

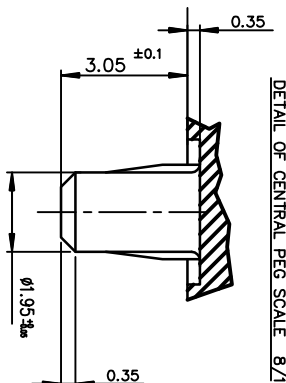
TIN LEAD PART NUMBER

DIM-P 4.010				P/N AND PERFORMANCE LEVEL		SP N°
ROW-A	ROW-B	ROW-C	ROW-D			
5.00	5.00	5.00	5.00	HM1L41ADP000H6P		009
5.75	5.75	5.75	5.75	HM1L41LDP000H6P		424
6.50	6.50	6.50	6.50	HM1L41DDP000H6P		
6.50	5.00	5.00	5.00	HM1L41BDP000H6P		
6.50	5.75	5.75	6.50	HM1L41CDP000H6P		110
5.00	5.00	6.50	5.00	HM1L41ZDP110H6P		430
5.00	5.75	6.50	5.00	HM1L41ZDP430H6P		448
5.00	5.75	5.00	5.00	HM1L41ZDP448H6P		
5.75	5.00	5.00	5.00	HM1L41ZDP009H6P		037
5.75	6.50	5.75	5.00	HM1L41ZDP424H6P		102
						135
6.50	5.75	6.50	5.75	HM1L41ZDP135H6P		329
6.50	8.00	6.50	5.75	HM1L41ZDP329H6P		369
6.50	5.75	5.75	5.75	HM1L41ZDP369H6P		

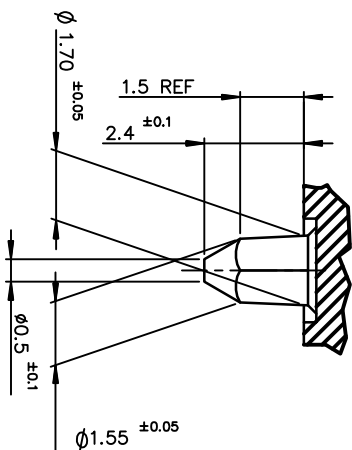
RECOMMENDED PCB LAYOUT



DETAIL OF CENTRAL PEG SCALE 8/1



DETAIL OF LOCATING PEGS (2x) SCALE 8/1



LEAD FREE PART NUMBER

DIM-P 4.010				P/N AND PERFORMANCE LEVEL		SP N°
ROW-A	ROW-B	ROW-C	ROW-D			
5.00	5.00	5.00	5.00	HM1L41ADP000H6PLF		110
5.75	5.75	5.75	5.75	HM1L41LDP000H6PLF		430
6.50	6.50	6.50	6.50	HM1L41DDP000H6PLF		448
6.50	5.00	5.00	5.00	HM1L41BDP000H6PLF		
6.50	5.75	5.75	6.50	HM1L41CDP000H6PLF		110
5.00	5.00	6.50	5.00	HM1L41ZDP110H6PLF		430
5.00	5.75	6.50	5.00	HM1L41ZDP430H6PLF		448
5.00	5.75	5.00	5.00	HM1L41ZDP448H6PLF		
8.00	8.00	8.00	8.00	HM1L41NDP000H6PLF		
5.00	5.00	5.00	5.00	HM1L41ADP001H6PLF		
5.75	5.00	5.00	5.00	HM1L41ZDP009H6PLF		009
5.75	6.50	5.75	5.00	HM1L41ZDP424H6PLF		424
6.50	5.75	6.50	5.75	HM1L41ZDP037H6PLF		037
6.50	5.75	5.00	5.75	HM1L41ZDP102H6PLF		102
6.50	6.50	6.50	5.75	HM1L41ZDP135H6PLF		135
6.50	8.00	6.50	5.75	HM1L41ZDP329H6PLF		329
6.50	5.75	5.75	5.75	HM1L41ZDP369H6PLF		369

Row	CONTACT CODE MOD					
	1	2	3	4	5	6
D	-	-	-	-	-	-
C	-	-	-	-	-	-
B	-	-	-	-	-	-
A	-	-	-	-	-	-

HM1L41ADP001H6PLF
SELECTIVE CONTACT LOADING
NOTE: *-*POSITION LOADED

OTHERS INFORMATIONS; SEE DRW 8626-0150-1

European Views

www.ficonnect.com

Dr	CHAMPION	1994/04/05	ANGULAR	LINEAR	0.xx	±0.1	size	A3	Scale	4/1
Eng	De-Feng Qin	2012/02/14	0.xx	±0.1	0.xxx	±0.1	ECN			
Chr	Flame Zeng	2012/02/14	Product family							
Appr	PM Zheng	2012/02/14								

FCJ METRAL RA HEADER WB
CONVERGED 4x6 CTS-PF-PUSH PEG
catalog no

FCJ METRAL Spec ref -
C-8626-0150
CUSTOMER sheet 2 of 2

